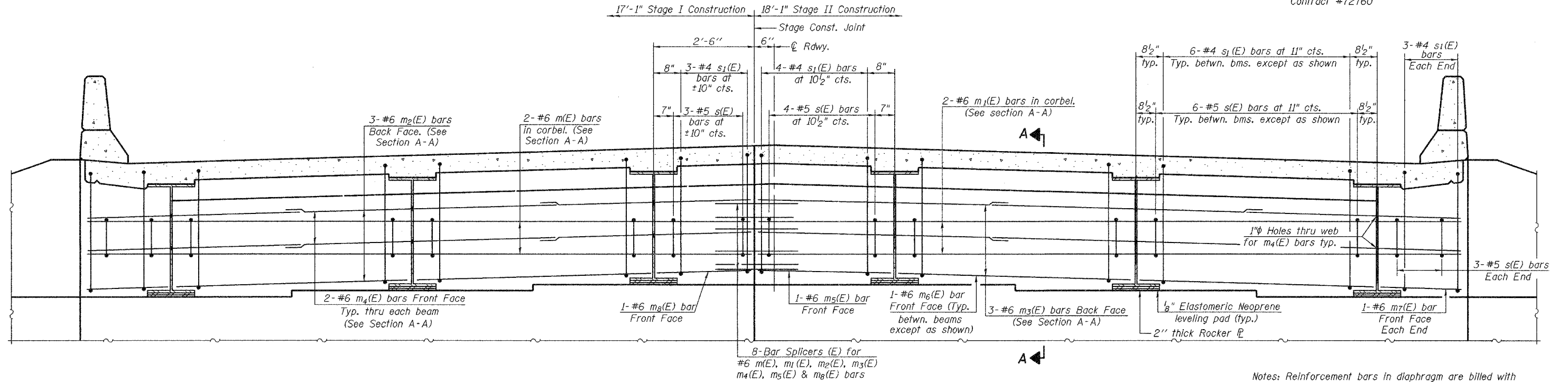


STATE OF ILLINOIS
DEPARTMENT OF TRANSPORTATION

| | | | | | |
|-----------------------------|------------------------------|-----------------|--------------------|-----------------|--------------------------|
| ROUTE NO. F.A.S. 1774 | SECTION 113(B)-5, B-6) | COUNTY LOGAN | TOTAL SHEETS 60 | SHEET NO. 25 | SHEET NO. 8 18 SHEETS |
| FED. ROAD DIST. NO. 7 | | ILLINOIS | FED. AID PROJECT- | | |

Contract #72760

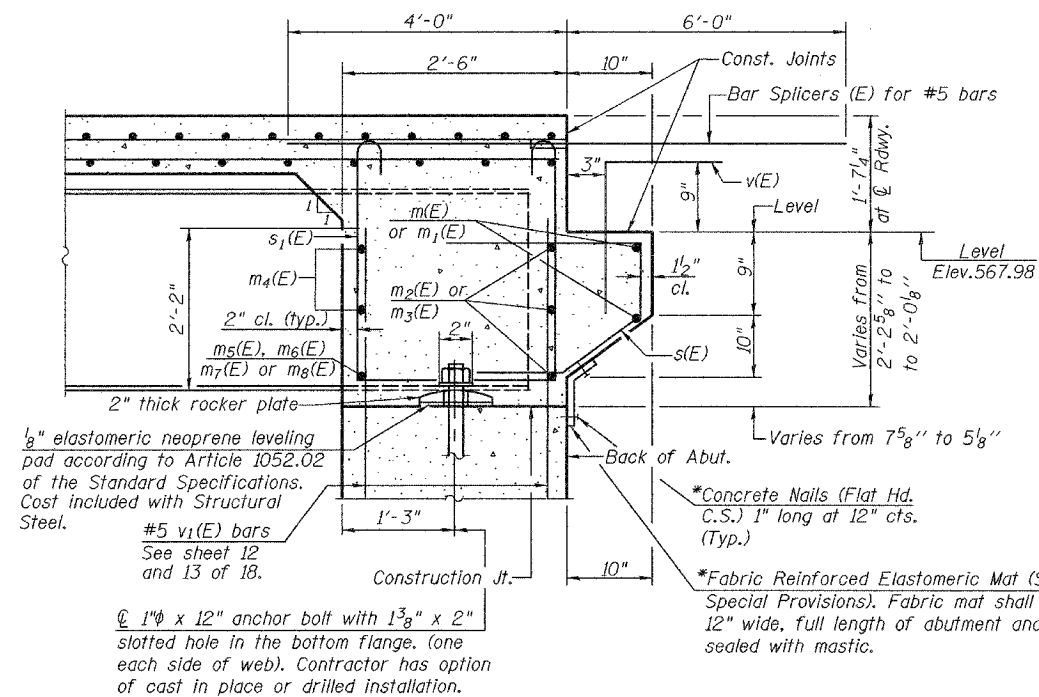


DIAPHRAGM ELEVATION AT S. ABUTMENT

(Looking South)
(North Abutment similar)

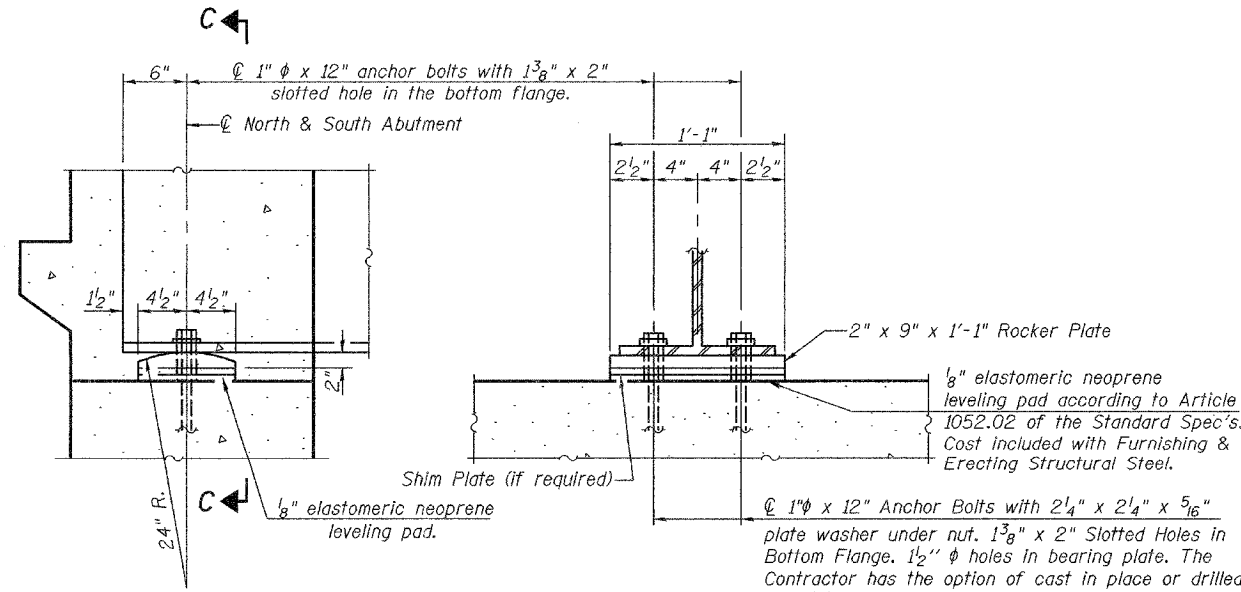
MIN. BAR. LAP
#6 bar = 2'-9"

Notes: Reinforcement bars in diaphragm are billed with superstructure on sheet 7 of 18.
Concrete in diaphragm is included with Concrete Superstructure on sheet 7 of 18.
For details of bars s(E) & s1(E) see sheet 7 of 18.
For anchor bolt details see sheet 11 of 18.
See sheet 16 of 18 for bar splicer details.
See sheet 9 of 18 for holes thru web for m4(E) bars.



SECTION A-A

*Cost included with concrete structures.

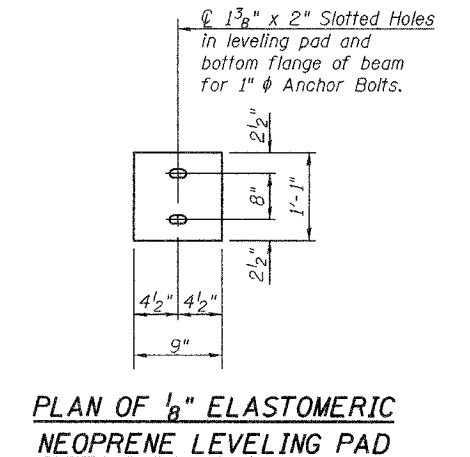


ELEVATION

SECTION C-C

FIXED BEARINGS AT ABUTMENTS

(12 Required)



PLAN OF 1/8" ELASTOMERIC NEOPRENE LEVELING PAD

| | |
|----------|-----------------|
| DESIGNED | Stephen M. Ryan |
| CHECKED | Chi-Cheung Chau |
| DRAWN | R. Sommer |
| CHECKED | SMR/CCC |

| | |
|------------------------------------|-------------------|
| EXAMINED | October 14, 2005 |
| THOMAS J. DOMAGALA | |
| ENGINEER OF BRIDGE DESIGN | |
| PASSED | Ralph E. Anderson |
| ENGINEER OF BRIDGES AND STRUCTURES | |

DIAPHRAGM DETAILS
F.A.S. RTE. 1774-SEC. 113(B)-5,B-6)
LOGAN COUNTY
STATION 1723+50.00
STRUCTURE NO. 054-0505