

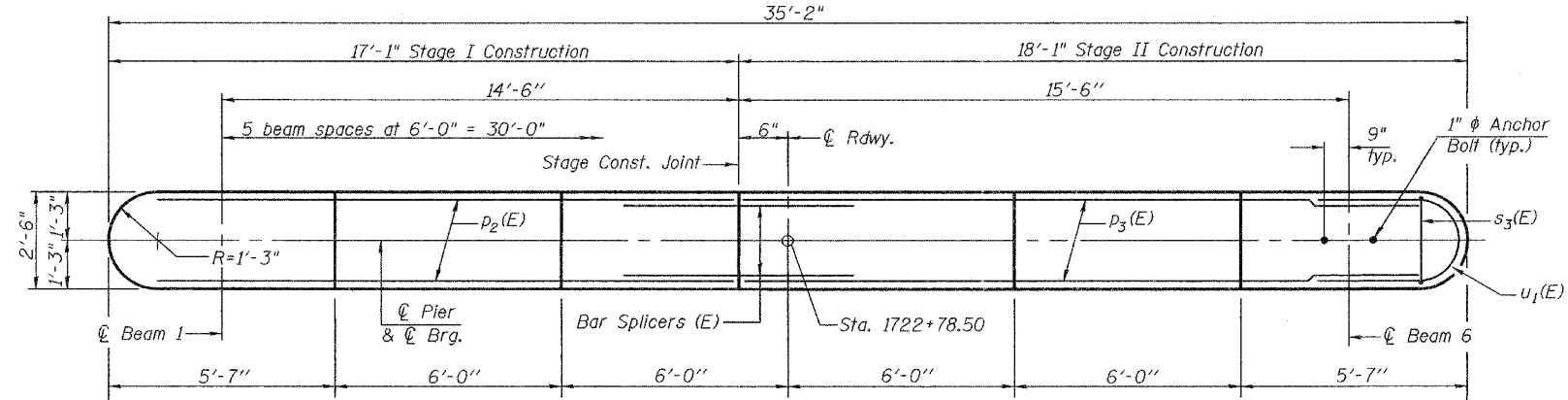
STATE OF ILLINOIS  
DEPARTMENT OF TRANSPORTATION

|                       |                 |                  |              |           |
|-----------------------|-----------------|------------------|--------------|-----------|
| ROUTE NO.             | SECTION         | COUNTY           | TOTAL SHEETS | SHEET NO. |
| F.A.S. 1774           | 113(B)-5, (B)-6 | LOGAN            | 60           | 31        |
| FED. ROAD DIST. NO. 7 | ILLINOIS        | FED. AID PROJECT |              |           |

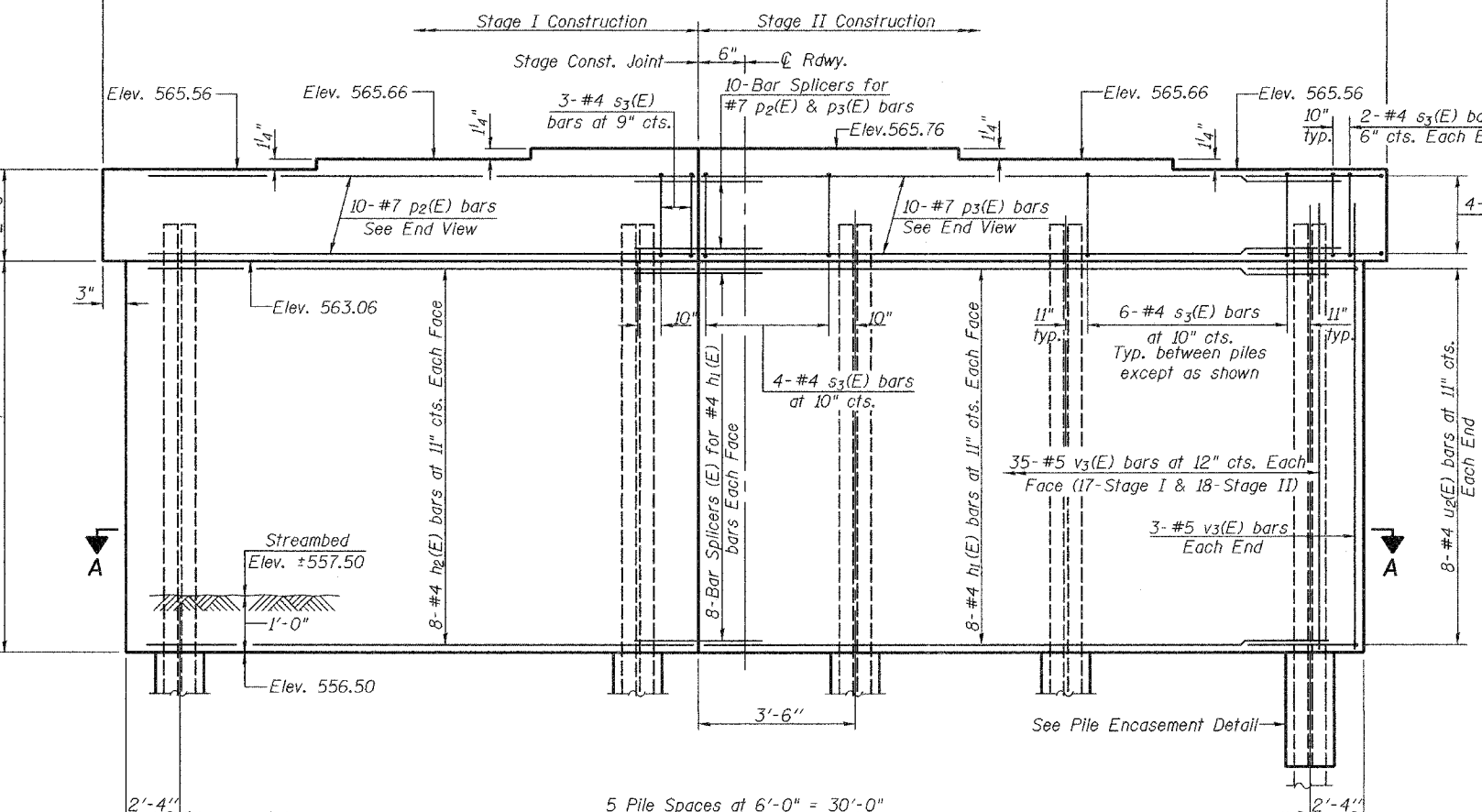
SHEET NO. 14  
18 SHEETS

Contract #72760

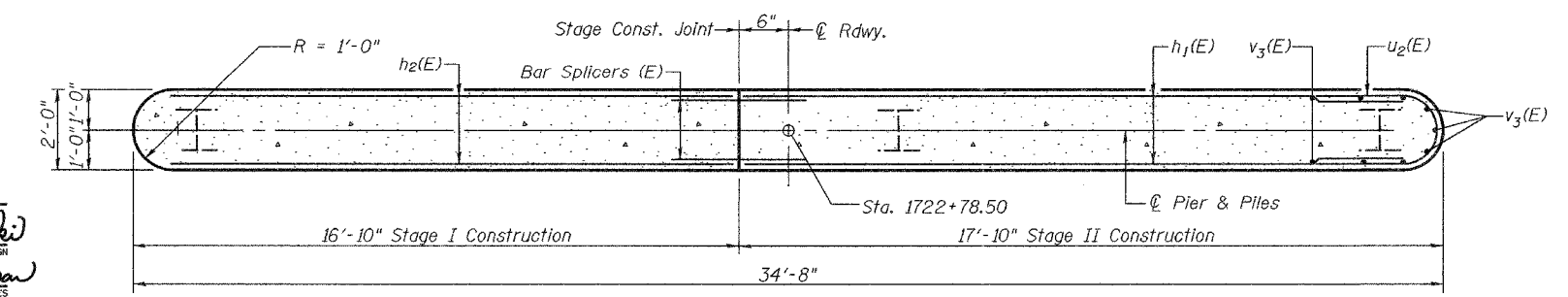
Notes:  
Pour steps monolithically with cap.  
Reinforcement bars designated (E) shall be epoxy coated.  
Space reinforcement in cap to miss anchor bolts.  
For anchor bolt installation details see sheet 11 of 18.  
For bar splicer details see sheet 16 of 18.



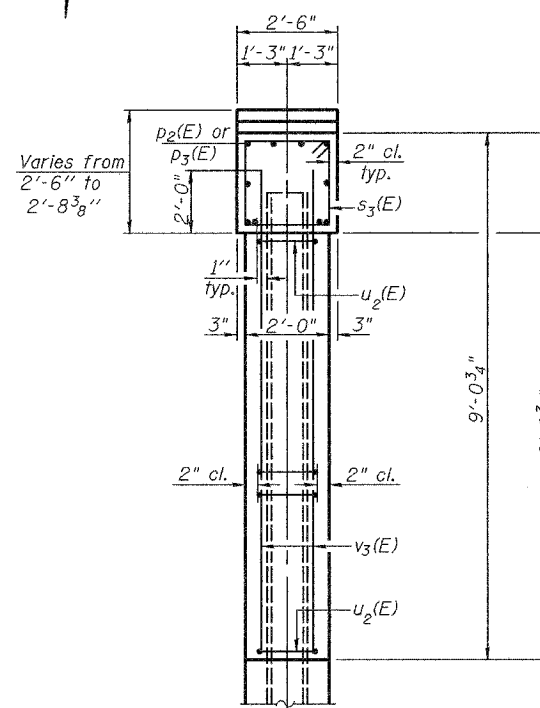
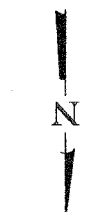
TOP PLAN



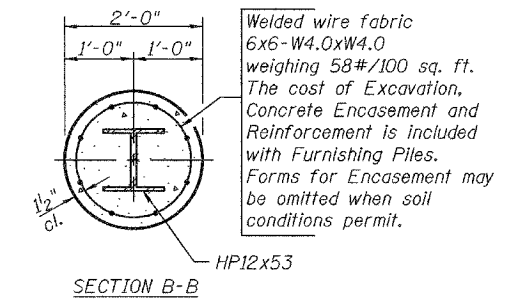
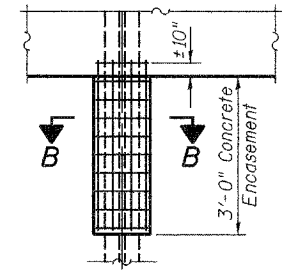
ELEVATION  
(Looking South)



SECTION A-A



END VIEW



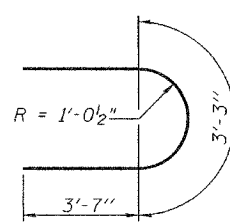
PILE ENCASUREMENT DETAIL

**PILE DATA**  
Type: Friction HP12x53  
Nominal Required Bearing: 290 Tons  
Nominal Design Capacity: 193 Tons  
Est. Length: 63'  
No. Required: 5+1 Test Pile

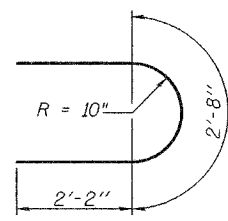
**BILL OF MATERIAL**

| Bar No.                          | Size    | Length  | Shape |
|----------------------------------|---------|---------|-------|
| h1(E)                            | #4      | 16'-8"  | —     |
| h2(E)                            | #4      | 15'-8"  | —     |
| p2(E)                            | #7      | 15'-5"  | —     |
| p3(E)                            | #7      | 16'-5"  | —     |
| s3(E)                            | #4      | 9'-5"   | □     |
| u1(E)                            | #6      | 10'-5"  | ⊂     |
| u2(E)                            | #4      | 7'-0"   | ⊂     |
| v3(E)                            | #5      | 10'-10" | —     |
| Concrete Structures              | Cu. Yd. | 24.8    |       |
| Reinforcement Bars, Epoxy Coated | Pound   | 2280    |       |
| Furnishing Steel Piles HP12x53   | Foot    | 315     |       |
| Structure Excavation             | Cu. Yd. | 8.6     |       |
| Test Pile Steel HP 12x53         | Each    | 1       |       |
| Driving Steel Piles              | Foot    | 315     |       |

BAR s3(E)



BAR u1(E)



BAR u2(E)

**PIER 1**  
F.A.S. RTE. 1774-SEC. 113(B)-5.(B)-6)  
LOGAN COUNTY  
STATION 1723+50.00  
STRUCTURE NO. 054-0505

DESIGNED Stephen M. Ryan  
CHECKED Chi-Cheung Chau  
DRAWN R. Sommer  
CHECKED SMR/CCC

October 14, 2005  
EXAMINED Thomas J. Damagalakos  
PASSED Ralph E. Anderson