

STATE OF ILLINOIS
DEPARTMENT OF TRANSPORTATION

ROUTE NO.	SECTION	COUNTY	LISTA	SHEET NO.	SHEET NO. 15 18 SHEETS
F.A.S. 1774	113(B-5, B-6)	LOGAN	60	32	
FED. ROAD DIST. NO. 7	ILLINOIS	FED. AID PROJECT-			

Contract #72760

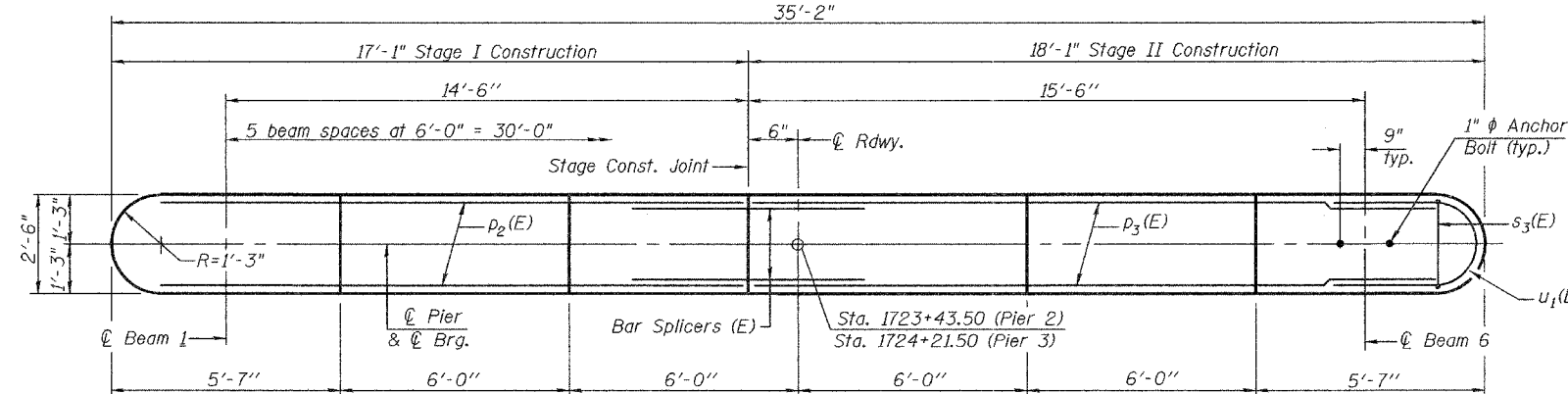
Notes:
Pour steps monolithically with cap.
Reinforcement bars designated (E) shall be epoxy coated.
Space reinforcement in cap to miss anchor bolts.
For anchor bolt installation details see sheet 11 of 18.
For bar splicer details see sheet 16 of 18.

PILE DATA PIER 2

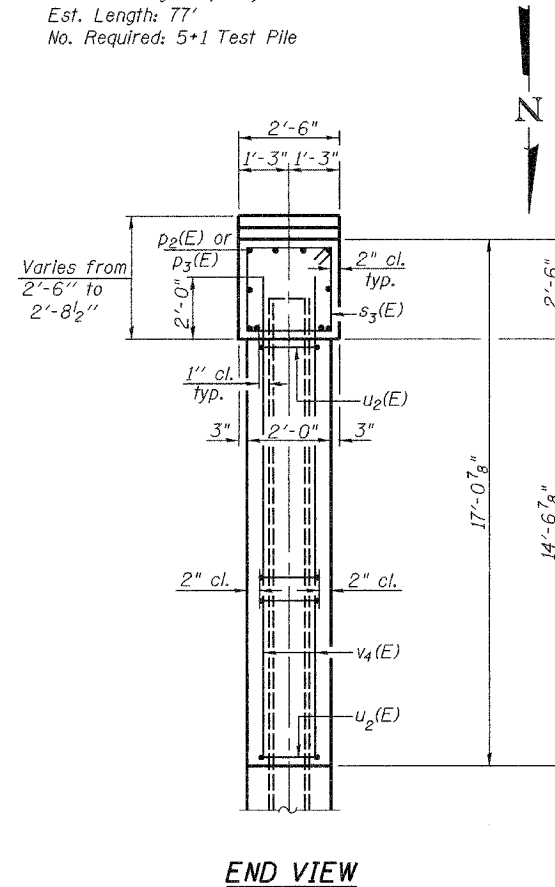
Type: Friction HP12x53
Nominal Required Bearing: 377 Tons
Nominal Design Capacity: 251 Tons
Est. Length: 71'
No. Required: 5+1 Test Pile

PILE DATA PIER 3

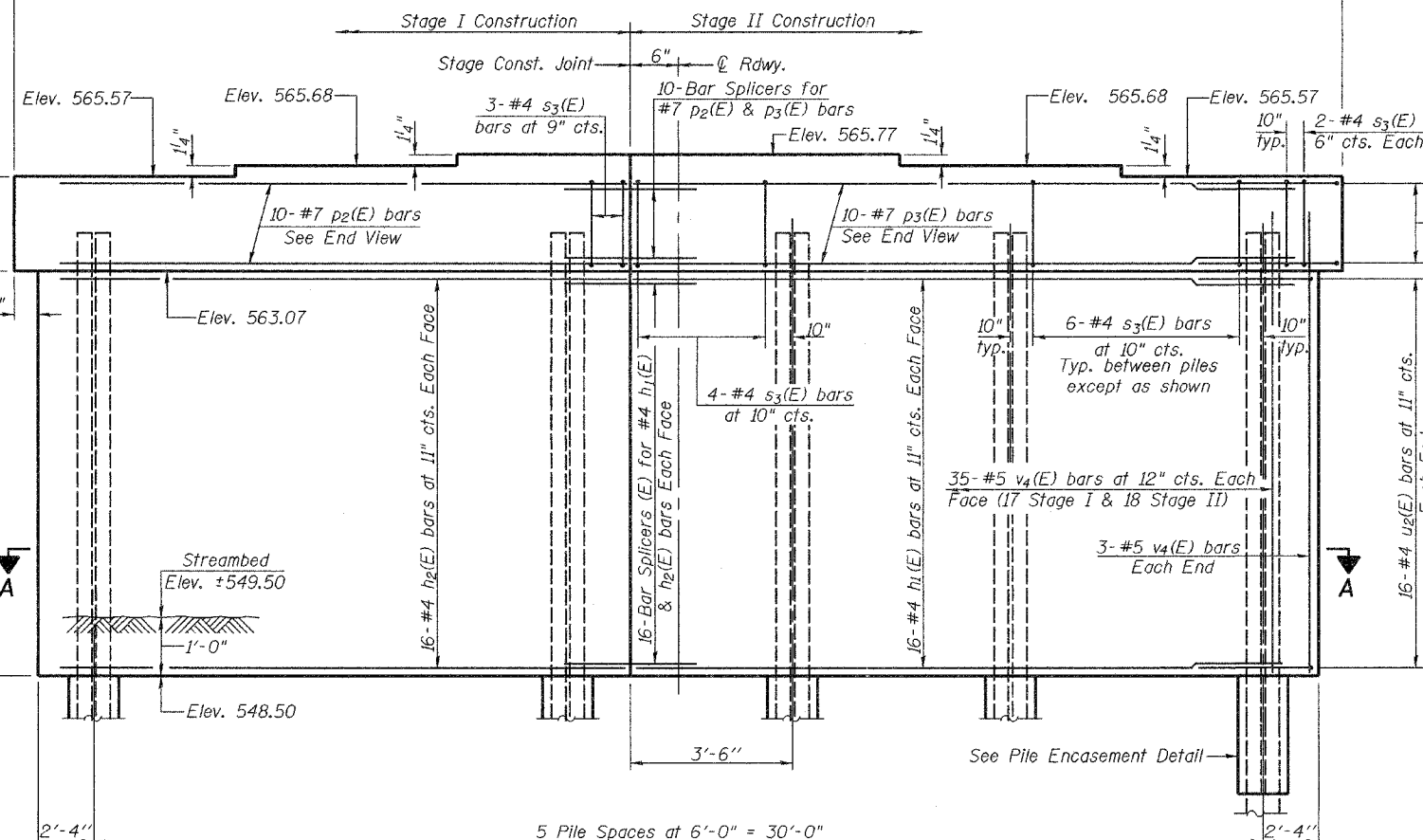
Type: Friction HP12x53
Nominal Required Bearing: 353 Tons
Nominal Design Capacity: 236 Tons
Est. Length: 77'
No. Required: 5+1 Test Pile



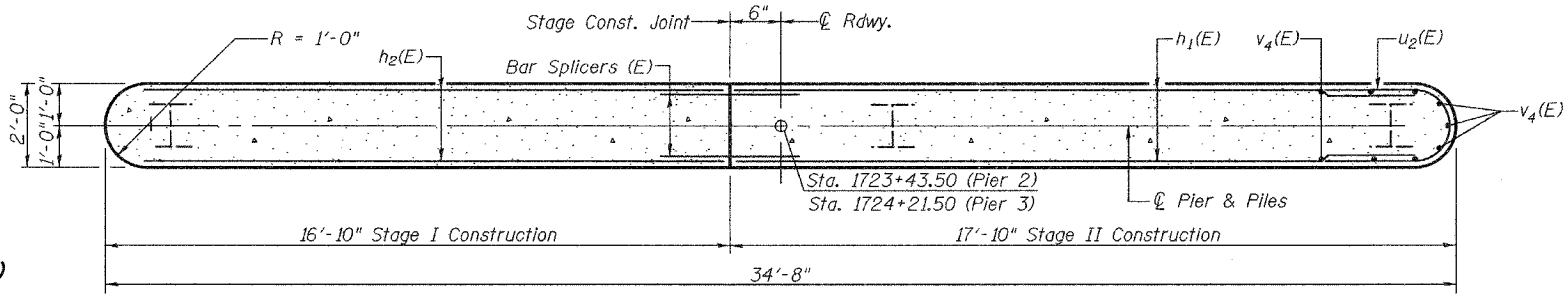
TOP PLAN



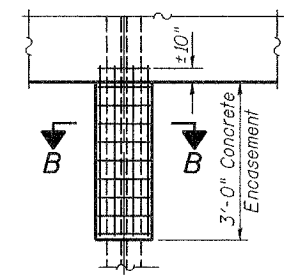
END VIEW



ELEVATION
(Looking South)



SECTION A-A

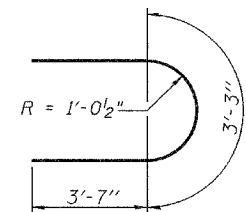


SECTION B-B
HP12x53
PILE ENCASEMENT DETAIL

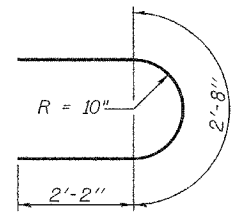
**TWO PIERS
BILL OF MATERIAL**

Bar No.	Size	Length	Shape
h ₁ (E)	64 #4	16'-8"	—
h ₂ (E)	64 #4	15'-8"	—
p ₂ (E)	20 #7	15'-5"	—
p ₃ (E)	20 #7	16'-5"	—
s ₃ (E)	70 #4	9'-5"	□
u ₁ (E)	16 #6	10'-5"	U
u ₂ (E)	64 #4	7'-0"	U
v ₄ (E)	152 #5	18'-10"	—
Concrete Structures		Cu. Yd.	90.0
Reinforcement Bars, Epoxy Coated		pound	6660
Furnishing Steel Piles HP12x53		foot	740
Structure Excavation		Cu. Yd.	17.2
Test Pile Steel HP 12x53		Each	2
Driving Steel Piles		Foot	740
Underwater Structure Excavation Protection Location 1		Each	1
Underwater Structure Excavation Protection Location 2		Each	1

BAR s₃(E)



BAR u₁(E)



BAR u₂(E)

PIERS 2 & 3
F.A.S. RTE. 1774-SEC. 113(B-5.B-6)
LOGAN COUNTY
STATION 1723+50.00
STRUCTURE NO. 054-0505

DESIGNED Stephen M. Ryan
CHECKED Chi-Cheung Chau
DRAWN R. Sommer
CHECKED SMR/CCC

October 14, 2005
EXAMINED Thomas J. Demagaliak
ENGINEER OF BRIDGE DESIGN
PASSED Ralph E. Anderson
ENGINEER OF BRIDGES AND STRUCTURES