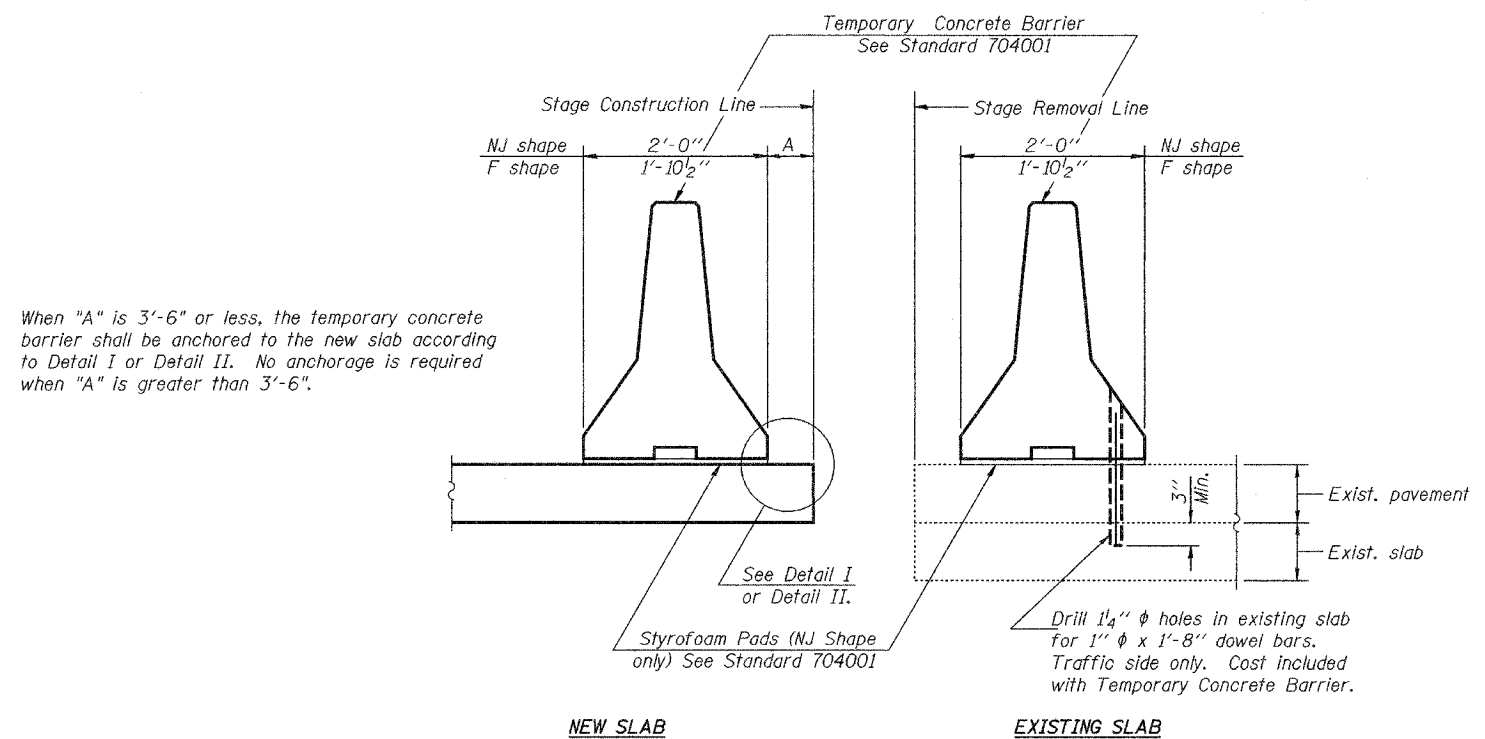


STATE OF ILLINOIS
DEPARTMENT OF TRANSPORTATION

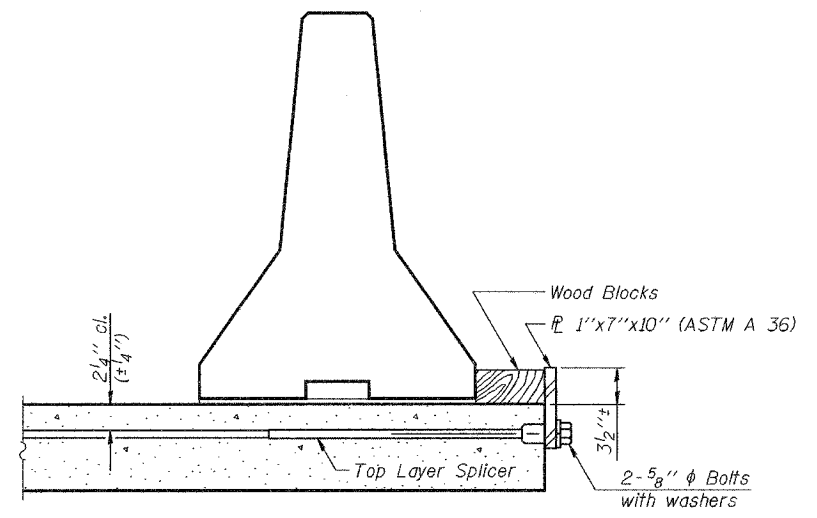
ROUTE NO.	SECTION	COUNTY	TOTAL SHEETS	SHEET NO.
F.A.S. 1774	113(B-5, B-6)	LOGAN	60	38
FED. ROAD DIST. NO. 7	SUBDIVISION	FED. AID PROJECT-		

SHEET NO. 3
9 SHEETS

Contract #72760

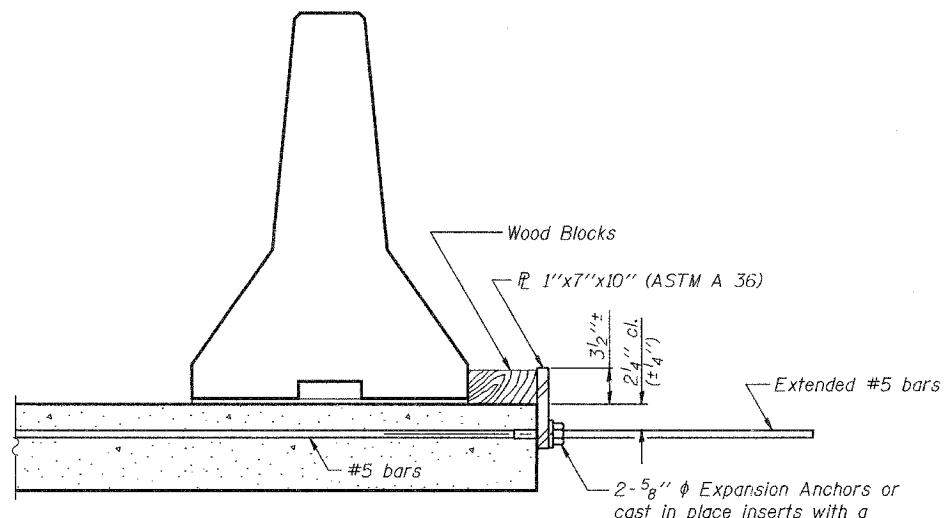


SECTIONS THRU SLAB



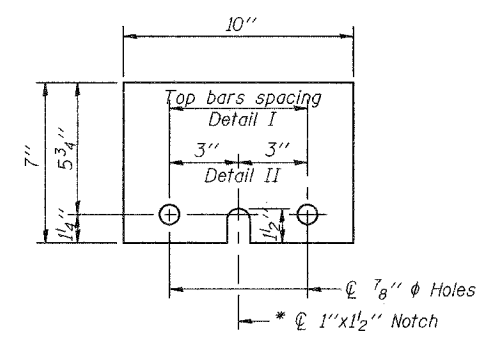
DETAIL I

The 1" x 7" x 10" Plate shall not be removed until Stage II Construction forms and reinforcement bars are in place.



DETAIL II

The 1" x 7" x 10" Plate shall not be removed until Stage II Construction forms and all reinforcement bars are in place and the concrete is ready to be placed.



1" x 7" x 10"

* Required only with Detail II

DESIGNED	FT
CHECKED	SMR
DRAWN	h.t. duong
CHECKED	FT/SMR

Oct. 13, 2005

EXAMINED *Thomas J. Damagala*
ENGINEER OF BRIDGE DESIGN

PASSED *Ralph E. Anderson*
ENGINEER OF BRIDGES AND STRUCTURES

TEMPORARY CONCRETE BARRIER
FOR STAGE CONSTRUCTION
F.A.S. RTE. 1774 - SEC. 113 (B-5, B-6)
LOGAN COUNTY
STATION 1727+87.37
STRUCTURE NO. 054-2506