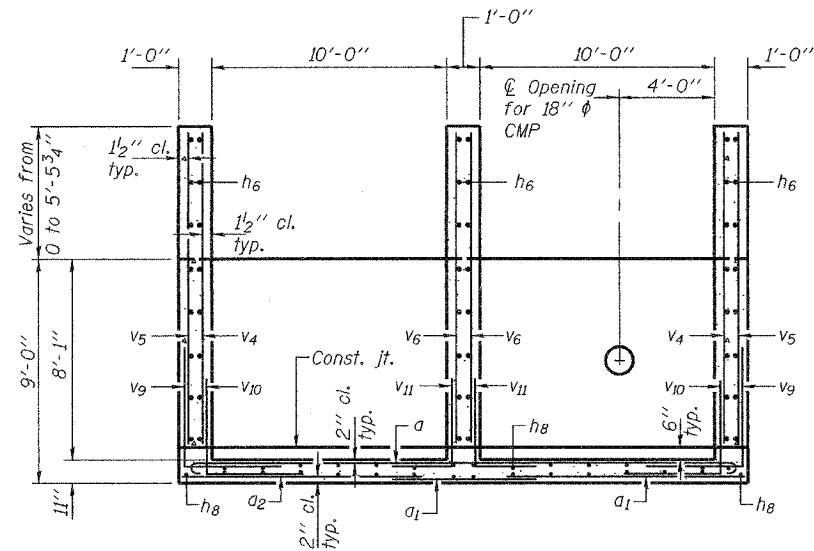


STATE OF ILLINOIS  
DEPARTMENT OF TRANSPORTATION

ROUTE NO.	SECTION	COUNTY	TOTAL SHEETS	SHEET NO.
F.A.S. 1774	113B-5, B-6	LOGAN	60	42
FED. ROAD DIST. NO. 7	ILLINOIS	FED. AID PROJECT		

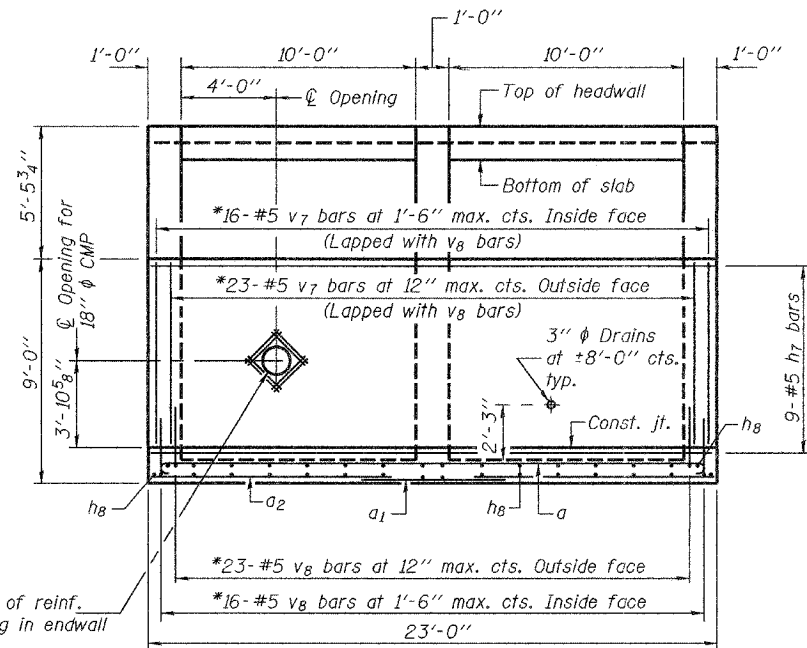
Contract #72760

SHEET NO. 7  
9 SHEETS



**SECTION B-B**

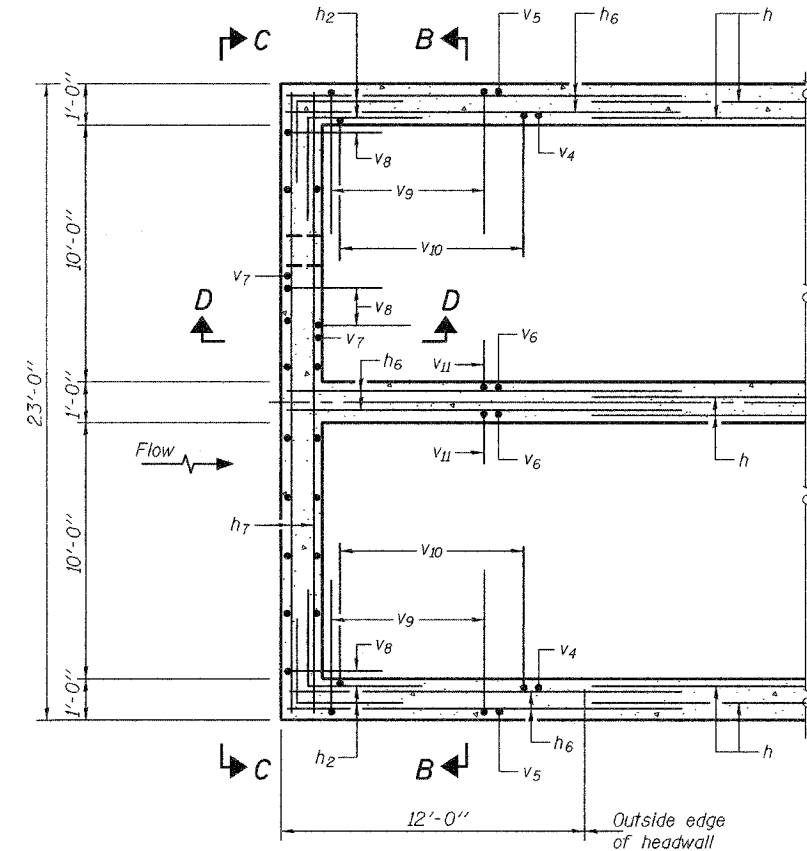
Showing reinforcement in center & side walls of drop box. Vertical leg of v<sub>9</sub>, v<sub>10</sub> and v<sub>11</sub> bars is 2'-11".



**VIEW C-C**

Showing reinforcement in end wall of drop box. Vertical leg of v<sub>8</sub> bars is 2'-11".

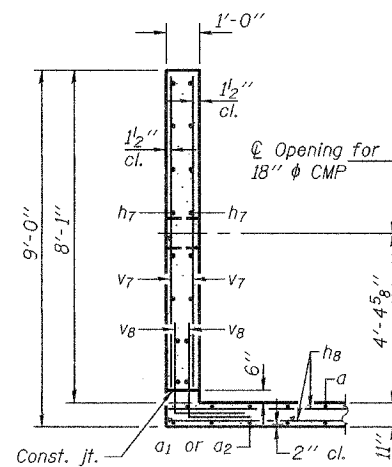
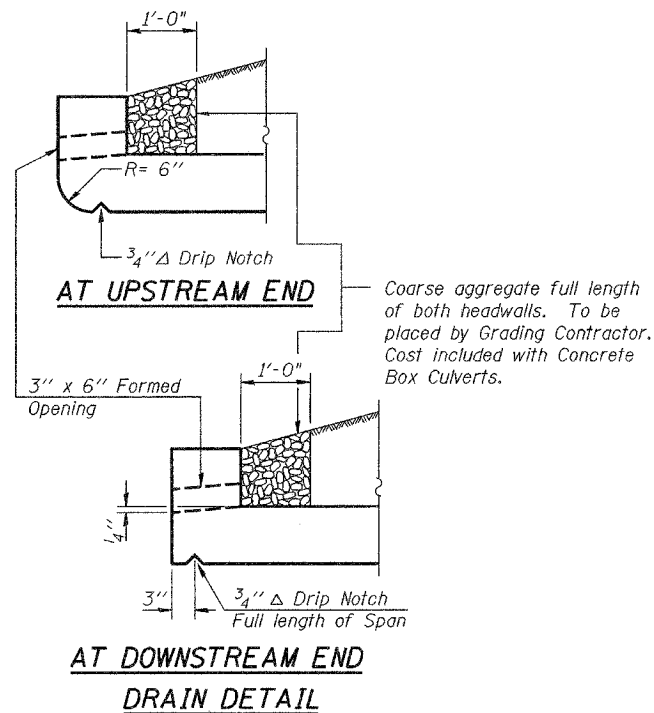
\*Cut bars to miss opening in end wall



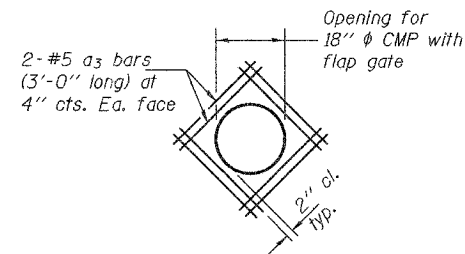
**PLAN - DROP BOX DETAIL**

Showing reinforcement in end, center and side walls of drop box.

Notes: For Bill of Material, see sheet 6 of 9.  
For reinforcement in bottom slab of drop box, see sheet 5 of 9.



**SECTION D-D**



**DETAIL OF REINFORCEMENT FOR OPENING IN END WALL**

DESIGNED	FT
CHECKED	SMR
DRAWN	h.t. duong
CHECKED	FT/SMR

Oct. 13, 2005  
 EXAMINED *Thomas J. Damagala*  
 ENGINEER OF BRIDGE DESIGN  
 PASSED *Ralph E. Carlson*  
 ENGINEER OF BRIDGES AND STRUCTURES

**CULVERT DETAILS**  
 F.A.S. RTE. 1774 - SEC. 113 (B-5, B-6)  
 LOGAN COUNTY  
 STATION 1727+87.37  
 STRUCTURE NO. 054-2506