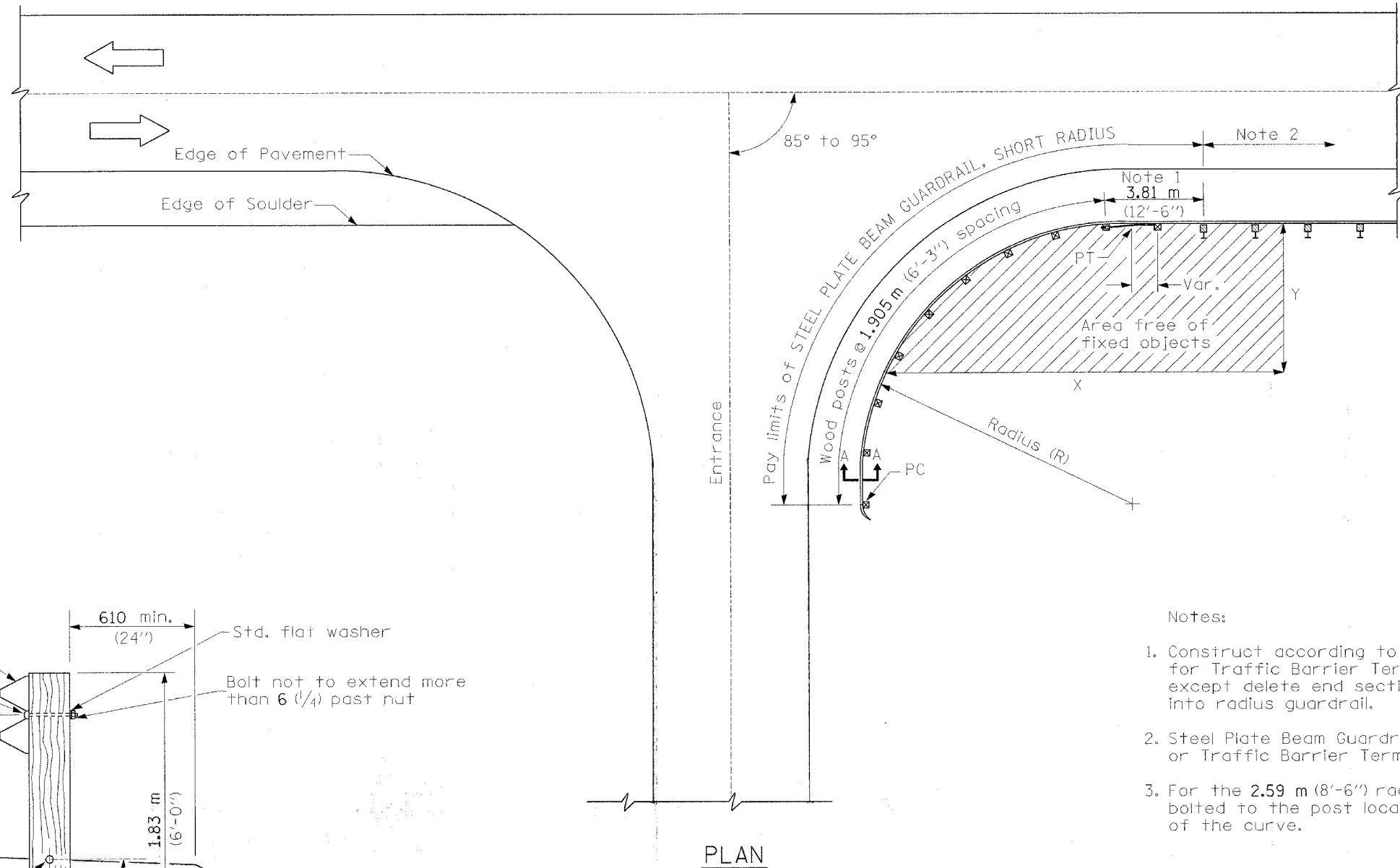
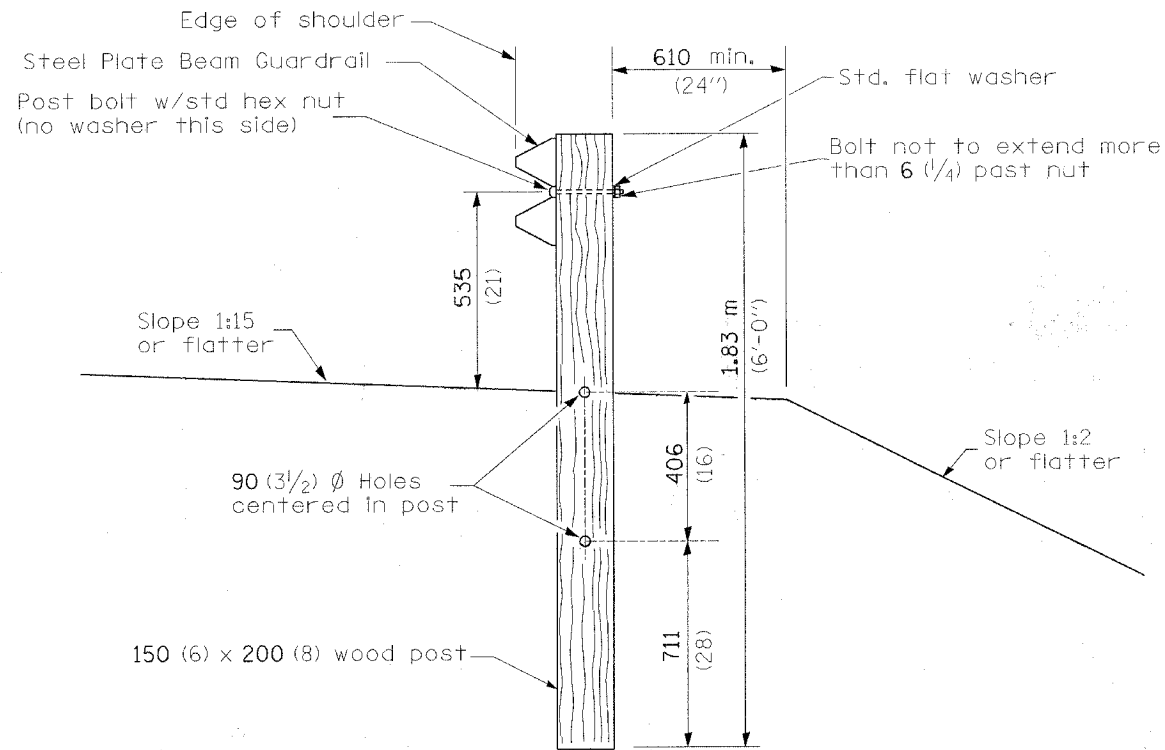


F.A.S. RTE.	SECTION	COUNTY	TOTAL SHEETS	SHEET NO.
1774	113(B-5, B-6)	LOGAN	60	46
STA.		TO STA.		
FED. ROAD DIST. NO.		ILLINOIS	FED. AID PROJECT	



- Notes:
1. Construct according to Standard 631011 for Traffic Barrier Terminal Type 2, except delete end section and splice into radius guardrail.
 2. Steel Plate Beam Guardrail Type A, Type B, or Traffic Barrier Terminal as specified.
 3. For the 2.59 m (8'-6") radius, the rail is not bolted to the post located at the midpoint of the curve.



SECTION A-A

R	NO. OF WOOD POSTS	X	Y
2.59 (8'-6")	5 (Note 3)	7.6 m (25')	4.6 (15')
5.18 (17'-0")	6	9.1 m (30')	4.6 (15')
7.77 (25'-6")	8	12.2 m (40')	6.1 (20')
10.67 (35'-0")	11	15.2 m (50')	6.1 (20')

GENERAL NOTES

All slope ratios are expressed as units of vertical displacement to units of horizontal displacement (V:H).

All dimensions are in millimeters (inches) unless otherwise shown.

REVISIONS	
NAME	DATE

ILLINOIS DEPARTMENT OF TRANSPORTATION
 STEEL PLATE BEAM GUARDRAIL,
 SHORT RADIUS DETAIL
 FAS 1774 (OLD IL 121)
 SECTION 113(B-5, B-6)
 LOGAN COUNTY

SCALE: VERT. _____
 HORIZ. _____

DATE _____ DRAWN BY _____
 CHECKED BY _____