

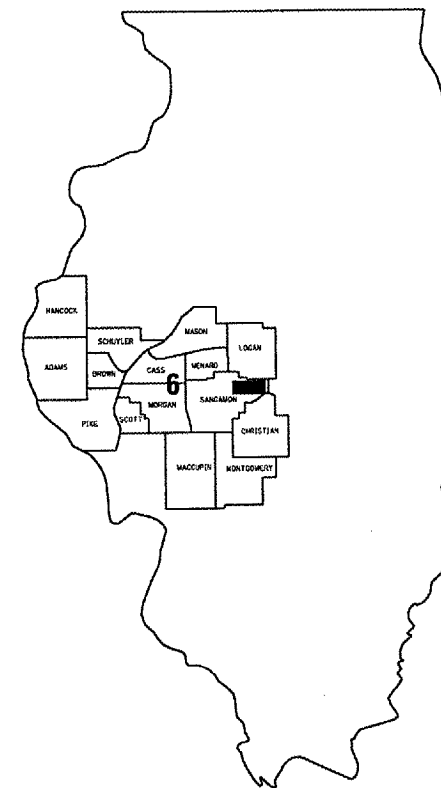
FOR INDEX OF SHEETS AND HIGHWAY  
STANDARDS, SEE SHEET 2.

STATE OF ILLINOIS  
DEPARTMENT OF TRANSPORTATION  
DIVISION OF HIGHWAYS

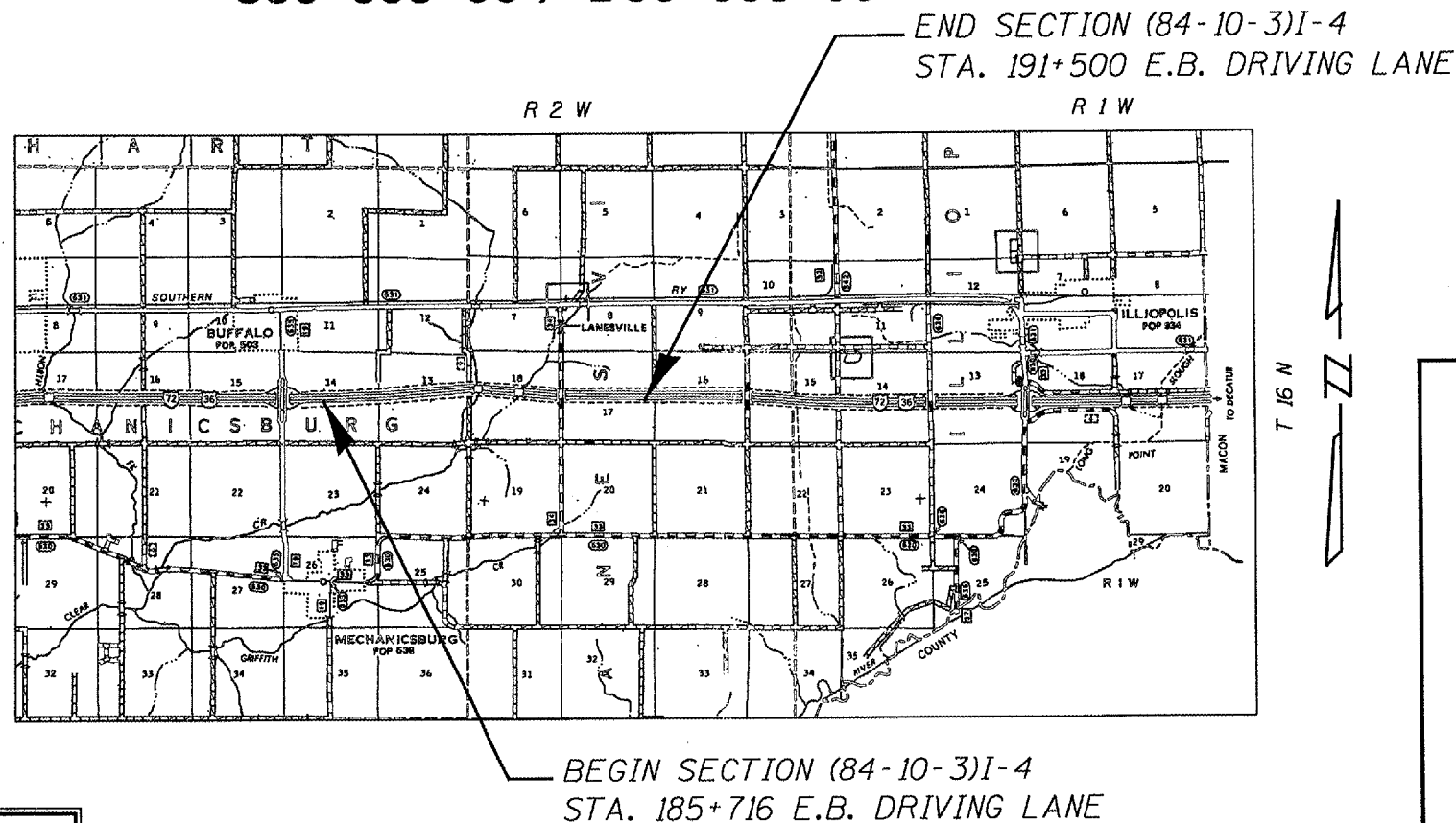
**PLANS FOR PROPOSED  
CONTRACT MAINTENANCE**

**FAI ROUTE 72 (I-72)  
SECTION (84-10-3)I-4  
SANGAMON COUNTY**

**C96-005-06 / D96-003-06**



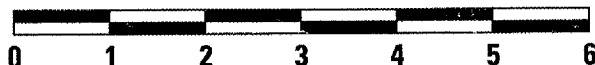
LOCATION OF SECTION INDICATED THUS: ■



**J. U. L. I. E.**  
**JOINT UTILITY LOCATION INFORMATION FOR EXCAVATION**  
1-800-892-0123

DESIGN & PLANNING ENGINEER: CECIL DOWNING  
PLANS & CONTRACT TECHNICIAN: TIMOTHY SHARP  
PHONE: (217) 782-7743

NET LTH OF SEC 18,976.38 FT = 3.594 MI



SCALE: 1" = 2 MILES

STATE OF ILLINOIS  
DEPARTMENT OF TRANSPORTATION  
DIVISION OF HIGHWAYS

SUBMITTED Sept. 7, 20 05  
Christ M. Reed  
DISTRICT ENGINEER

October 14, 20 05  
Mike Hine  
ENGINEER OF DESIGN AND ENVIRONMENT

October 14, 20 05  
Eric E. Harm  
DEPUTY DIRECTOR, DIVISION OF HIGHWAYS

**CONTRACT NO. 72A11**

INDEX

- 1 COVER
- 2 INDEX/STANDARDS/SIGNATURES
- 3 QUANTITIES
- 4 TYPICAL SECTION/PATCHING SCHEDULE

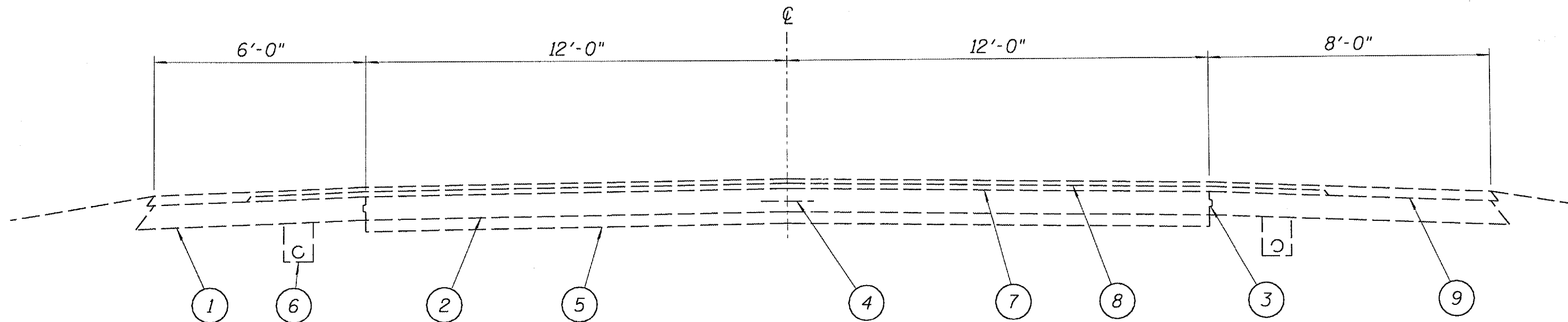
STANDARDS

442001 - 02  
701101 - 01  
701400 - 02  
701401 - 03  
701406 - 04  
702001 - 05

<b>STATE OF ILLINOIS DEPARTMENT OF TRANSPORTATION DIVISION OF HIGHWAYS DISTRICT 6</b>	
EXAMINED <u>Aug 9</u> 20 <u>05</u>	<u><i>Sam J. Hawk</i></u> ENGINEER OF OPERATIONS
EXAMINED <u>Aug 4</u> 20 <u>05</u>	<u><i>W.R. Fry</i></u> ENGINEER OF PROGRAM IMPLEMENTATION
EXAMINED <u>AUGUST 16</u> 20 <u>05</u>	<u><i>William E. Morte</i></u> ENGINEER OF PROGRAM DEVELOPMENT

INDEX/STANDARDS/SIGNATURES  
FAI 72 (I-72)  
SECTION (84-10-3)I-4  
SANGAMON COUNTY





STA. 185+716 TO  
STA. 191+500

PATCHING SCHEDULE			
STATION	SIZE	STATION	SIZE
185+716	15' x 12'	190+350	15' x 12'
186+027	6' x 12'	190+391	6' x 12'
186+047	6' x 12'	190+433	6' x 12'
187+081	15' x 12'	190+492	8' x 12'
187+908	6' x 12'	190+538	6' x 12'
188+460	10' x 12'	190+564	6' x 12'
189+348	6' x 12'	190+762	6' x 12'
189+364	12' x 12'	190+899	6' x 12'
189+375	6' x 12'	190+942	6' x 12'
189+390	12' x 12'	190+949	6' x 12'
189+835	6' x 12'	191+098	6' x 12'
189+892	6' x 12'	191+130	10' x 12'
189+954	6' x 12'	191+334	6' x 12'
190+122	6' x 12'	191+500	12' x 12'

**LEGEND**

- 1 - EXIST. STABILIZED SHOULDERS 8"
- 2 - EXIST. P.C.C. PAVEMENT 8"
- 3 - EXIST. KEYWAY
- 4 - EXIST. LONGITUDINAL JOINT
- 5 - EXIST. STABILIZED SUB-BASE 4"
- 6 - EXIST. PIPE UNDERDRAINS
- 7 - EXIST. BIT. BINDER. CRSE., MIX B CLASS I 1<sup>3</sup>/<sub>4</sub>"
- 8 - EXIST. BIT. SURF. CRSE., MIX D, CLASS I 1<sup>1</sup>/<sub>2</sub>"
- 9 - EXIST. BIT. SHOULDER

NOTE: ALL PATCHES ARE IN THE EAST  
BOUND DRIVING LANE

TYPICAL SECTION  
FAI 72 (I-72)  
SECT. (84-10-3)I-4  
SANGAMON COUNTY