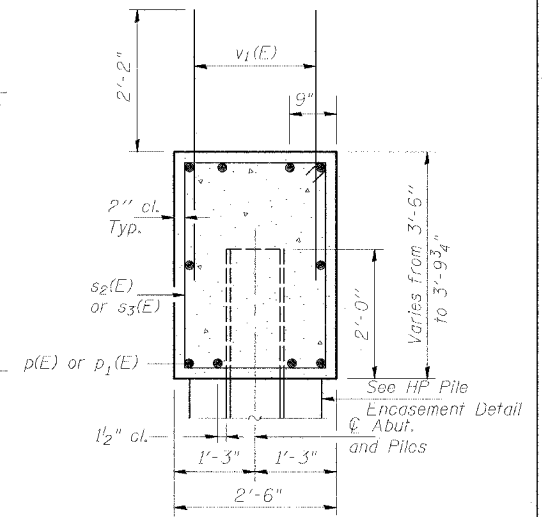
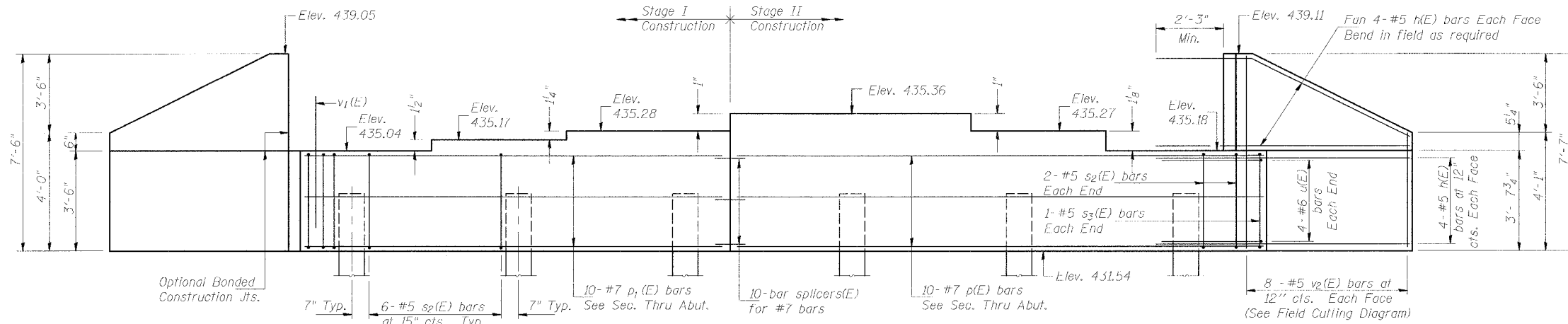


STATE OF ILLINOIS
DEPARTMENT OF TRANSPORTATION

PROJECT NO.	SECTION	COUNTY	SHEET NO.	SHEET NO.
754	4RS-2, 4BR	CALHOUN	87	48
SHEET NO. 14				
20 SHEETS				

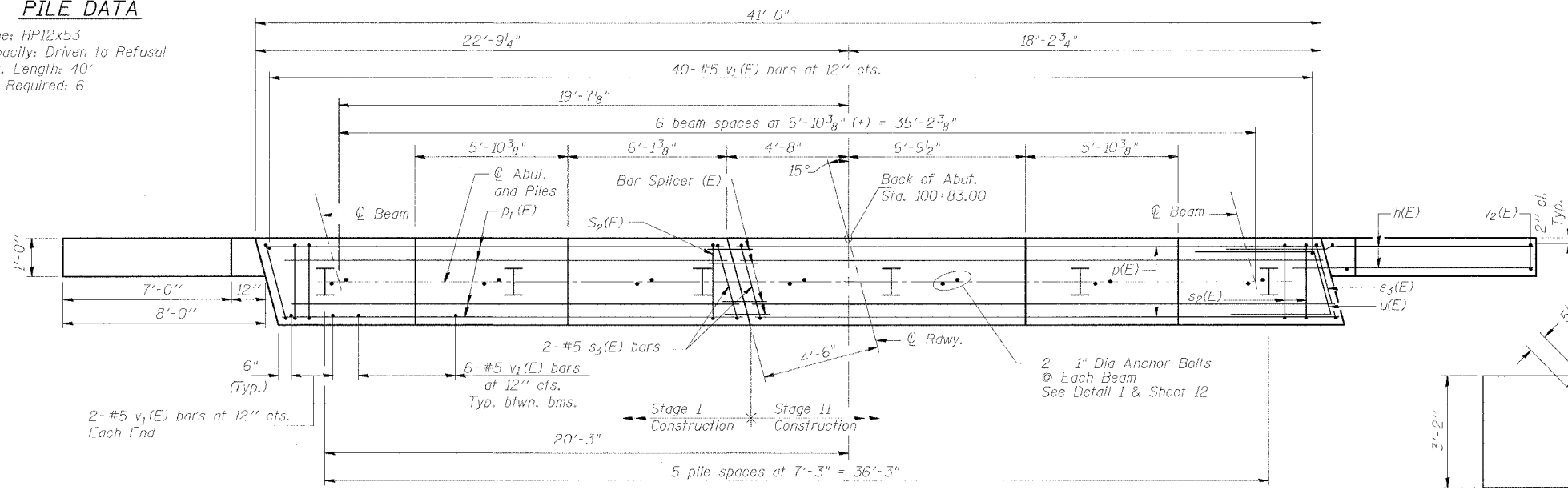
CONTRACT NO. 76269

Notes: Pour steps monolithically with cap.
Reinforcement bars designated (E)
shall be epoxy coated.



PILE DATA

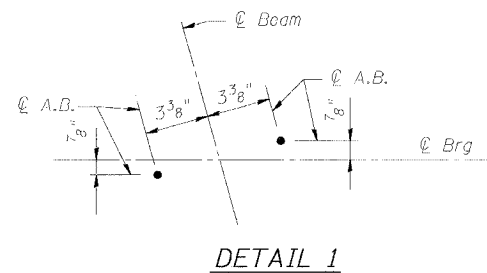
Type: HP12x53
Capacity: Driven to Refusal
Est. Length: 40'
No. Required: 6



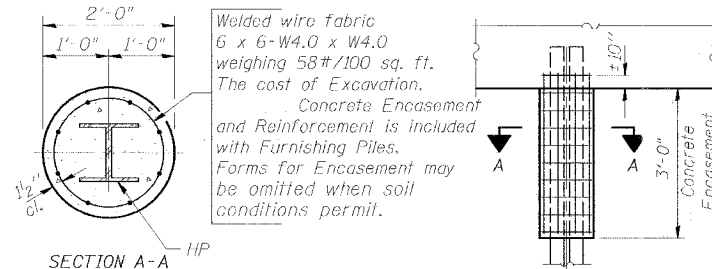
PLAN

BILL OF MATERIAL

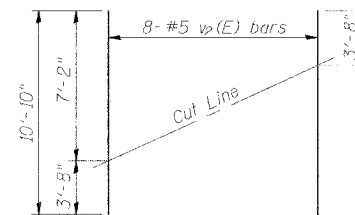
Bar	No.	Size	Length	Shape	
h(E)	32	#5	11'-1"	—	
p(E)	10	#7	22'-6"	—	
p1(E)	10	#7	17'-9"	—	
s2(E)	34	#5	11'-7"	□	
s3(E)	4	#5	11'-9"	□	
u(E)	8	#6	7'-6"	└	
v1(E)	80	#5	4'-4"	—	
v2(E)	16	#5	10'-10"	—	
Concrete Structures				Cu. Yd.	17.6
Reinforcement Bars, Epoxy Coated				Pound	2290
Structure Excavation				Cu. Yd.	150
Furnishing Steel Piles HP12x53				Foot	240
Driving Steel Piles				Foot	240
Metal Shoes				Each	6
Bar Splicers				Each	10



DETAIL 1

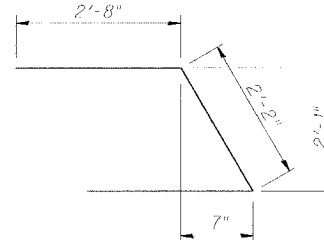


PILE ENCASEMENT DETAIL



FIELD CUTTING DIAGRAM

BARS s2(E) & s3(E)



BAR u(E)

DESIGNED	- L.E.L.
CHECKED	- REC
DRAWN	- M.T.L.
CHECKED	- L.E.L.

NORTH ABUTMENT
PARK STREET OVER
AN UNNAMED CREEK
F.A.S. ROUTE 754
SECTION 4RS-2, 4BR
CALHOUN COUNTY
ROADWAY STATION 6+08.50
STRUCTURE NO. 007-0026

Benton & Associates, Inc.

Consulting Engineers / Land Surveyors
1970 West Lafayette Avenue Jacksonville, Illinois 62650
Phone : 217-245-4146 Fax : 217-245-4149
IL Design Firm Registration No. 184-000852