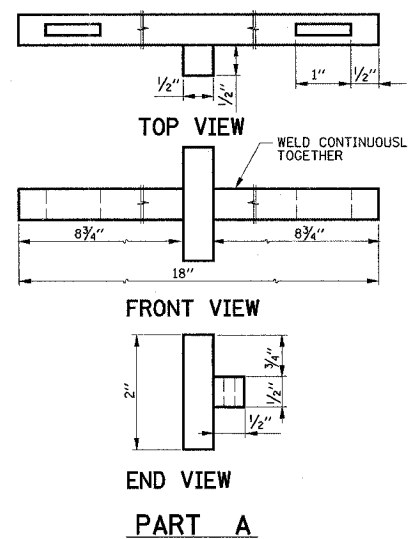
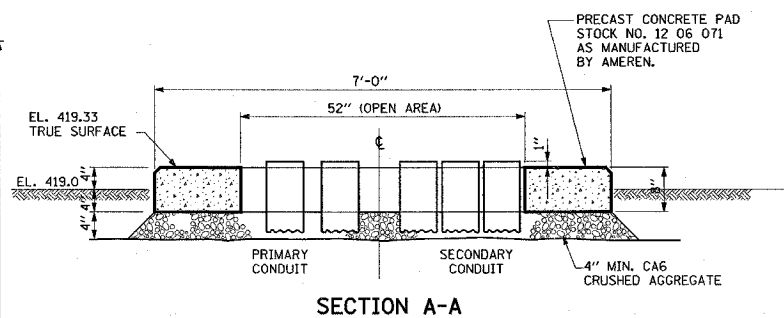
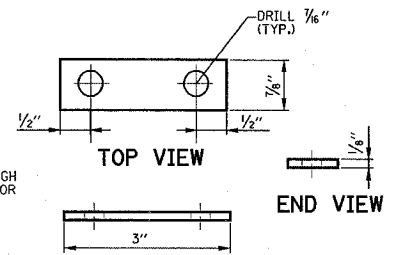
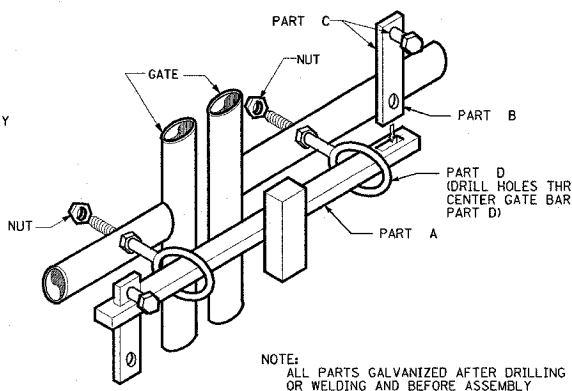


**AMEREN TRANSFORMER FOUNDATION**  
NOT TO SCALE



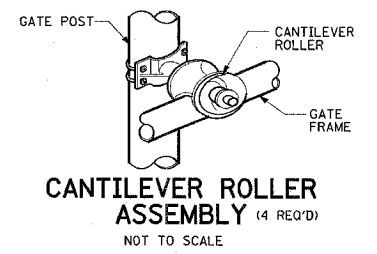
**SWING GATE LOCKING DEVICE**  
NOT TO SCALE



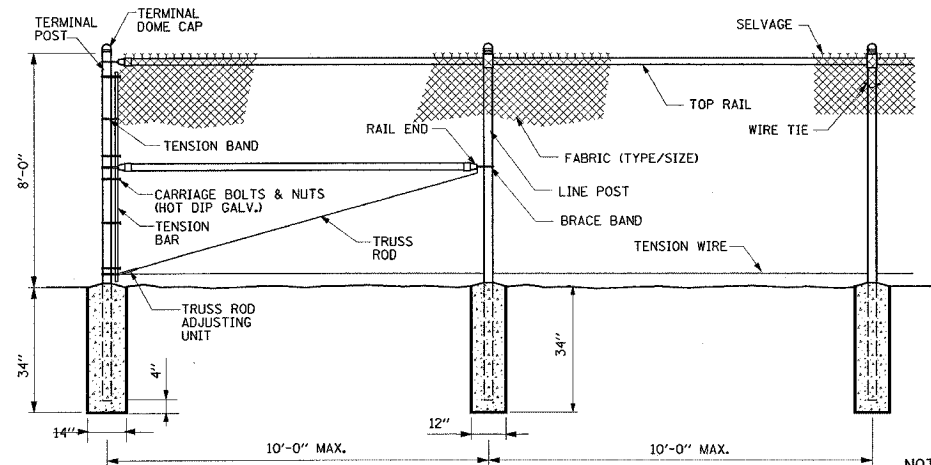
**FRONT VIEW PART B**

PART C IS FABRICATED THE SAME WITH A BOLT INTO EACH HOLE

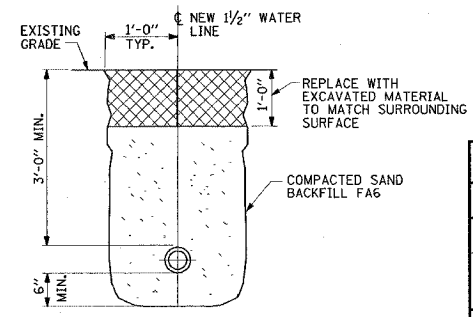
**PART C**



**CANTILEVER ROLLER ASSEMBLY (4 REQ'D)**  
NOT TO SCALE



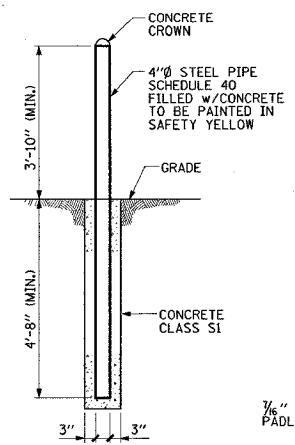
**FENCE DETAIL**  
NOT TO SCALE



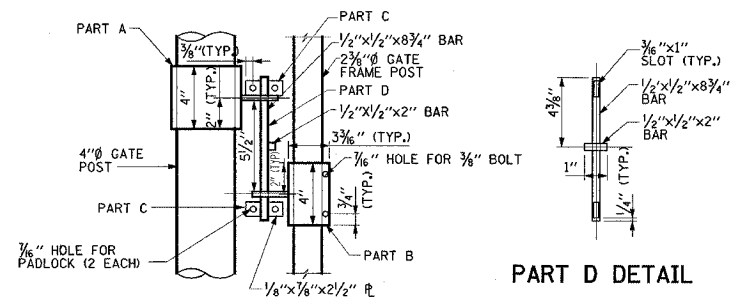
**TYPICAL TRENCH DETAIL FOR WATER SERVICE LINE**

FENCE SPECIFICATIONS			
FABRIC	MESH	GUAGE	SELVAGE
ALUM.	2"	9	K+B
BARBED WIRE	TYPE 4 PT.	3 STR. X	6 STR..
FRMWRK.	O.D.	WALL	LBS/LF
TOP RAIL	1 5/8"	.140	2.27
LINE POSTS	2 3/8"	.154	3.65
BRACE RAIL	1 5/8"	.140	2.27
CORNER POSTS	2 3/8"	.203	5.79
END POSTS	2 3/8"	.203	5.79

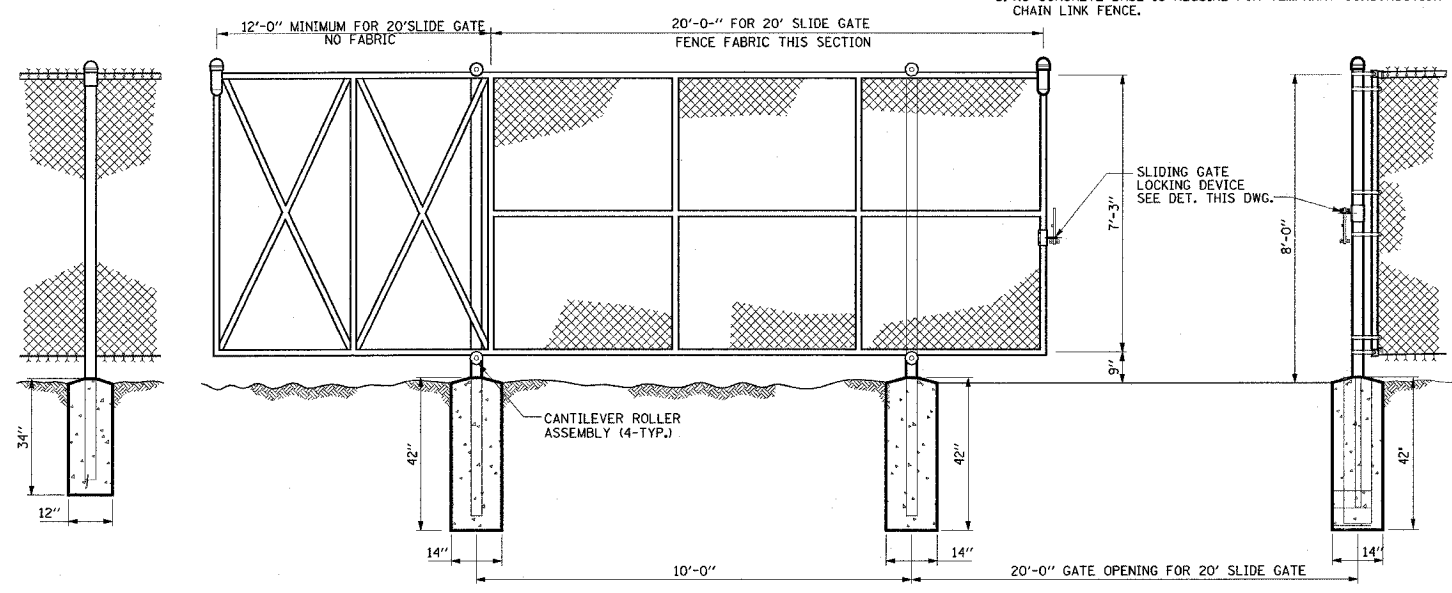
- NOTES:**
- 10' HIGH FENCE SHALL CONSIST OF 9' HIGH CHAIN LINK FENCE WITH 2" MESH COLORED PVC PRIVACY SLATE PLUS 1' OF THREE STRANDS OF BARB WIRE.
  - FOR SWING GATE DETAIL, SEE IDOT STANDARDS 664001.
  - NO CONCRETE BASE IS REQUIRE FOR TEMPRARY CONSTRUCTION CHAIN LINK FENCE.



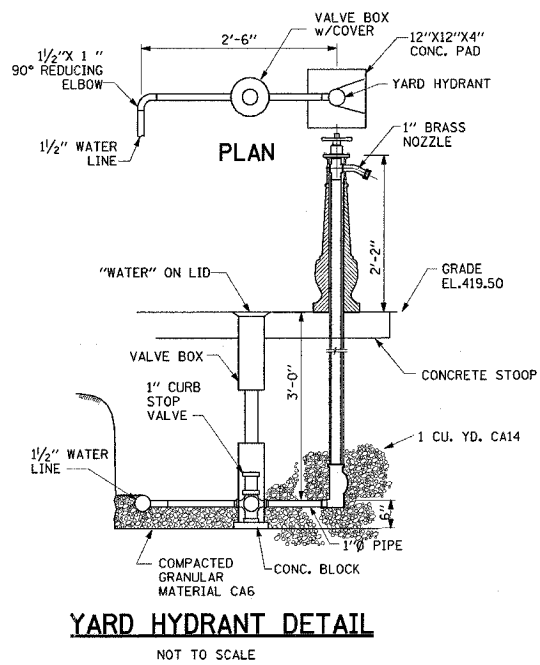
**BOLLARD DETAIL**  
NOT TO SCALE



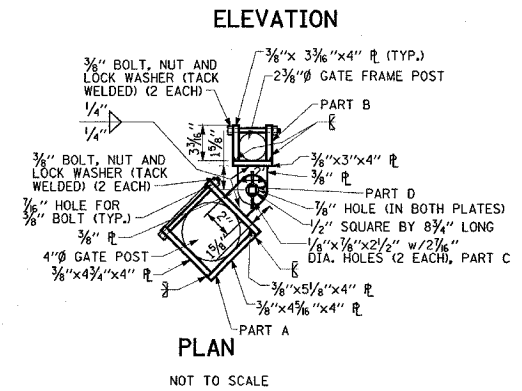
**PART D DETAIL**



**CANTILEVER SLIDE GATE**  
NOT TO SCALE



**YARD HYDRANT DETAIL**  
NOT TO SCALE



**SLIDE GATE LOCKING DEVICE**  
NOT TO SCALE

**NOTES:**  
LOCKING DEVICE SHALL BE GALVANIZED STEEL IN ACCORDANCE WITH ASTM A123-97

**SLIDE GATE LOCKING DEVICE**  
NOT TO SCALE

**G5**

REVISIONS	
NAME	DATE

**ILLINOIS DEPARTMENT OF TRANSPORTATION**  
**BOWMAN AVENUE PUMP STATION REHABILITATION**  
**DETAILS**

SCALE: AS SHOWN  
DATE: 09-12-05  
DRAWN BY: CM  
CHECKED BY: KC

DATE: \_\_\_\_\_  
BY: \_\_\_\_\_  
CHECKED: \_\_\_\_\_  
DATE: \_\_\_\_\_  
NOTE: BOOK \_\_\_\_\_  
NO. \_\_\_\_\_  
FILE NAME: \_\_\_\_\_

\*DATE-TIME\*  
\*DATE-SPEC\*  
\*REF\*  
\*REF\*

**ALVORD, BURDICK & HOWSON, L.L.C.**  
ENGINEERS CHICAGO

PLOT DATE: \*DATE-TIME\*