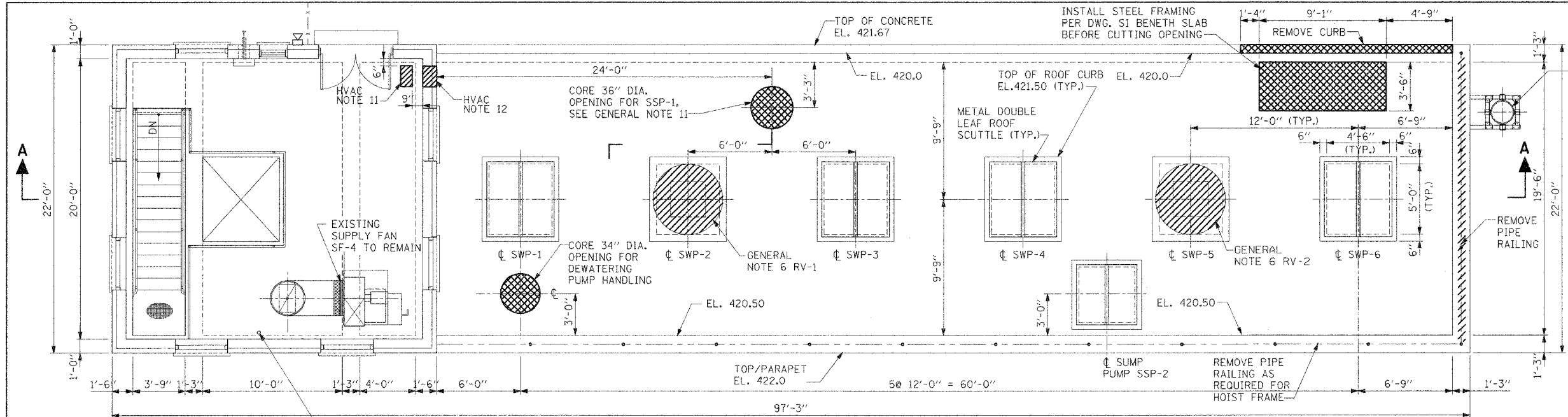
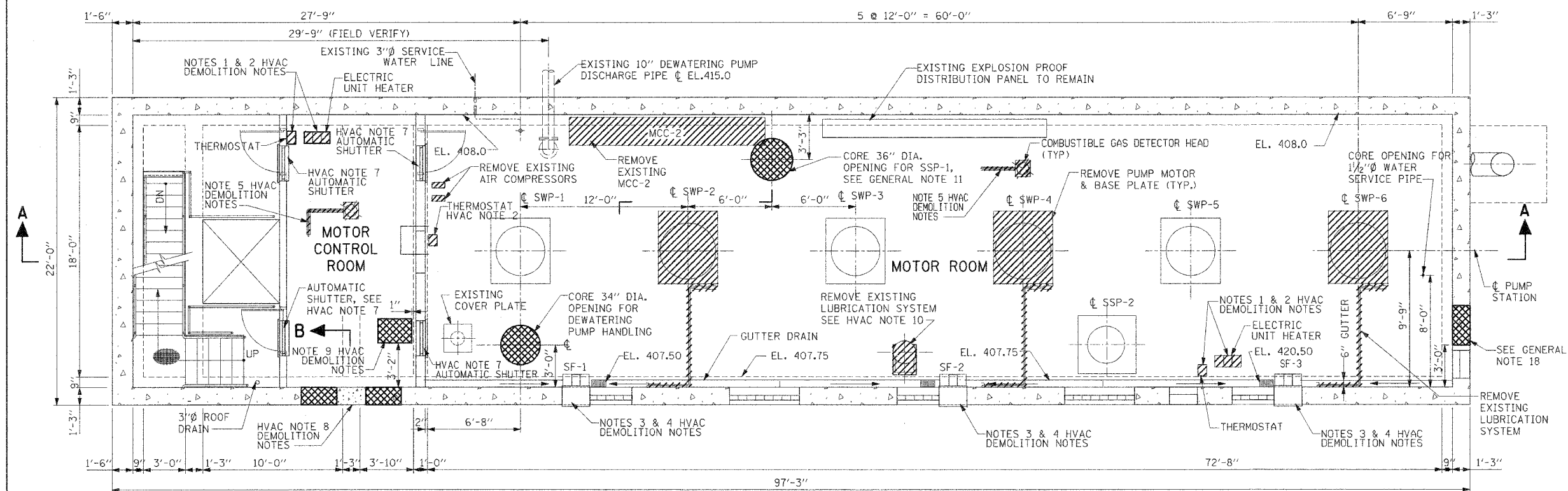


F.A.I. RTE.	SECTION	COUNTY	TOTAL SHEETS	SHEET NO.
70	82-11.21T-17	ST. CLAIR	77	7
FED. ROAD DIST. NO.	ILLINOIS	FED. AID PROJECT		



PLAN @ EL. 422.0

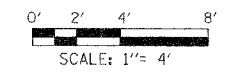


PLAN @ EL. 408.0

HVAC DEMOLITION NOTES:

- DISCONNECT AND REMOVE EXISTING UNIT HEATER, UNIT HEATER SUPPORT, CONDUIT AND WIRE.
- DISCONNECT AND REMOVE EXISTING THERMOSTAT, CONDUIT AND WIRE.
- TEST FANS SF-1, SF-2 AND SF-3 BEFORE REMOVAL. IF SF-2 IS PROVEN OPERABLE, PROVIDE WRITTEN STATEMENT THAT SF-2 IS IN SATISFACTORY CONDITION. STORE SF-2 IN A CLEAN, DRY AND PROTECTED AREA UNTIL RE-INSTALLED.
- DISCONNECT AND REMOVE EXISTING SUPPLY FANS, FAN ACCESSORIES, CONDUIT AND WIRE AND EXISTING MOTORIZED DAMPERS.
- DISCONNECT AND REMOVE EXISTING COMBUSTIBLE GAS DETECTOR HEAD, CONDUIT AND WIRE TO GAS DETECTOR PANEL TERMINATIONS.
- DISCONNECT AND REMOVE EXISTING ROOF VENTILATOR, MOTORIZED DAMPER, CONDUIT AND WIRE.
- REMOVE EXISTING AUTOMATIC SHUTTERS. PATCH AND PAINT MOTOR ROOM WALL AUTOMATIC SHUTTER OPENINGS. PATCH, SEAL AND PAINT AUTOMATIC SHUTTER STAIRS WALL OPENINGS.
- PROVIDE TWO 30" x 30" WALL OPENINGS. SEE DM3 DWG. FOR DETAILS.
- PROVIDE 30" x 24" FLOOR OPENING
- REMOVE ENTIRE LUBRICATION SYSTEM INCLUDING OIL PUMP PIPING POWER SUPPLY AND ALL APPURTENANCES.
- PROVIDE 10"x18" FLOOR OPENING
- PROVIDE 12"x18" WALL OPENING.

- GENERAL DEMOLITION NOTES:**
- FOR ADDITIONAL ELECTRICAL DEMOLITION PLANS, SEE E2 THRU E6 DWGS.
 - ALL DIMENSIONS SHOWN ARE BASED ON AVAILABLE RECORDS DRAWINGS. CONTRACTOR SHALL VERIFY ALL DIMENSIONS PRIOR TO ANY CONSTRUCTION OR FABRICATION.
 - COORDINATE DEMOLITION WITH REVIEWED EQUIPMENT SHOP DRAWINGS. ALL OPENINGS SHOWN FOR LOUVERS, WINDOWS AND EQUIPMENT ARE FOR ESTIMATE PURPOSE & SHALL BE COORDINATED WITH REVIEWED SHOP DRAWINGS.
 - DEMOLITION SHALL INCLUDE ALL ITEMS AND APPURTENANCES TO BE REMOVED AS REQUIRED TO COMPLETE THAT WORK WHETHER SPECIFICALLY IDENTIFIED OR NOT, SUCH THAT THE FACILITY IS COMPLETE AND OPERATIONAL.
 - DEMOLITION IS TO BE COORDINATED WITH THE NEW CONSTRUCTION AND MAINTENANCE OF SERVICE AS SPECIFIED, AND APPROVED MANUFACTURER'S SHOP DRAWINGS.
 - REMOVE EXISTING EQUIPMENT, CONCRETE PADS, INCLUDING FLOOR AS REQUIRED AND AS SPECIFIED.
 - REMOVAL OF ELECTRICAL ITEMS INCLUDES THE REMOVAL OF ALL WIRING AND CONDUITS CONNECTED TO THE ITEM TO BE REMOVED.
 - FOR ADDITIONAL NOTES, SEE DWG. M1
 - FOR LEAD BASED PAINT REMOVAL, SEE SPECIAL PROVISIONS, SECTION 9B REMOVAL AND DISPOSAL OF LEAD BASE PAINT.
 - PLUG UNUSED OPENINGS IN SLABS FROM ELECTRICAL CONDUITS.
 - IF LARGER THAN 25" O.D. TUBE IS PROVIDED FOR SUMP PUMP SSP-1, CORED OPENINGS AT EL. 422.0 AND EL. 408.0 SHALL NOT EXCEED 48" DIA.
 - REFER TO DM3 & E3 THROUGH E5 FOR ELECTRICAL DEMOLITION.
 - EXISTING SWP-2, 4 & 6 PUMPING UNITS REMOVAL INCLUDING PIPING, CHECK VALVES, SUPPORTS, OIL SYSTEM, POWER SUPPLIES AND ALL APPURTENANCES.
 - FIRE PUMP REMOVAL: ENTIRE EXISTING FIRE PROTECTION SYSTEM INCLUDING PUMP, BASE, PIPING, SUPPORT SYSTEM, POWER SUPPLY AND APPURTENANCES.
 - EXISTING DEWATERING PUMP UNIT AND SUMP PUMPING UNIT SSP-1 INCLUDE PIPING, SUPPORTS, POWER SUPPLIES AND ALL APPURTENANCES.
 - FOR LIST OF SALVAGED ITEMS, SEE SPECIAL PROVISIONS, SECTION 2B DEMOLITION.
 - CORNERS OF SAW CUT OPENING SHALL NOT BE OVER CUT.
 - CUT APPROX. 4'-8"H x 2'-10"W OPENING FOR ELECT. CONDUITS, TOP OF OPENING 36" BELOW GRADE, COORDINATE WITH ELECTRICAL CONTRACTOR TO VERIFY ACTUAL DIMENSIONS.



LEGEND:

	EQUIPMENT AND OTHER REMOVAL
	CONCRETE REMOVAL

DM1

REVISIONS	
NAME	DATE

ILLINOIS DEPARTMENT OF TRANSPORTATION
BOWMAN AVENUE PUMP STATION
REHABILITATION
DEMOLITION PLANS

SCALE: AS SHOWN
DATE: 09-12-05
DRAWN BY: CTM
CHECKED BY: KC

DATE	BY