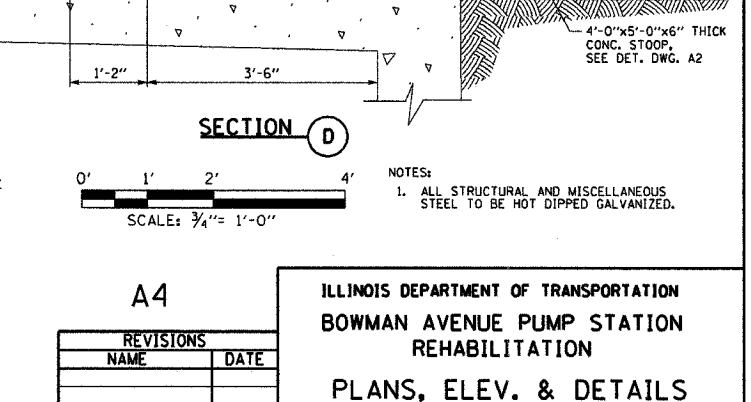
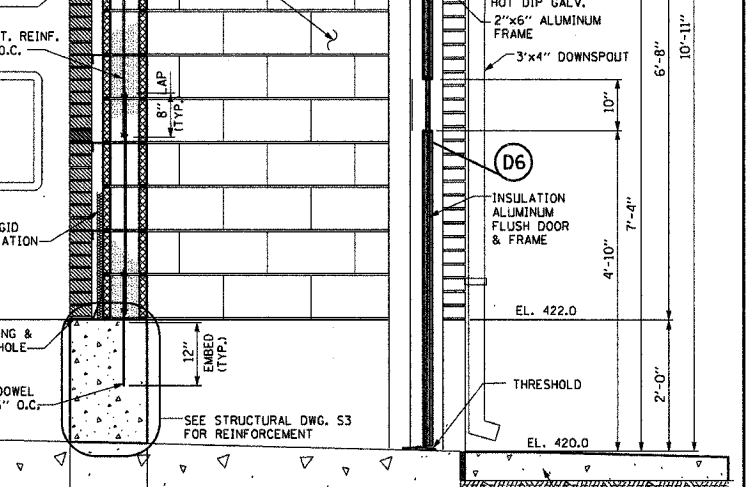
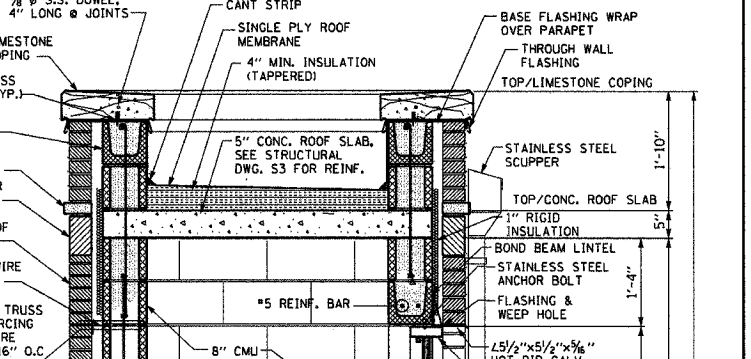
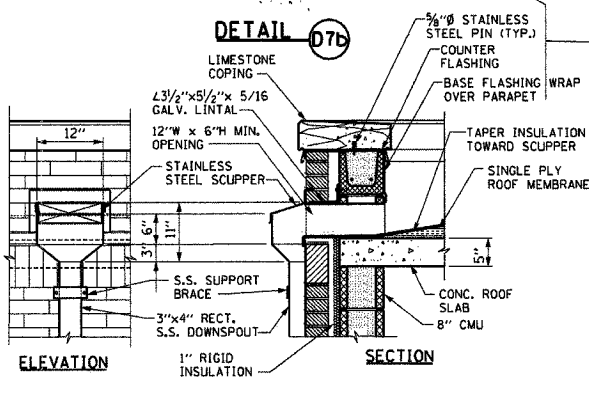
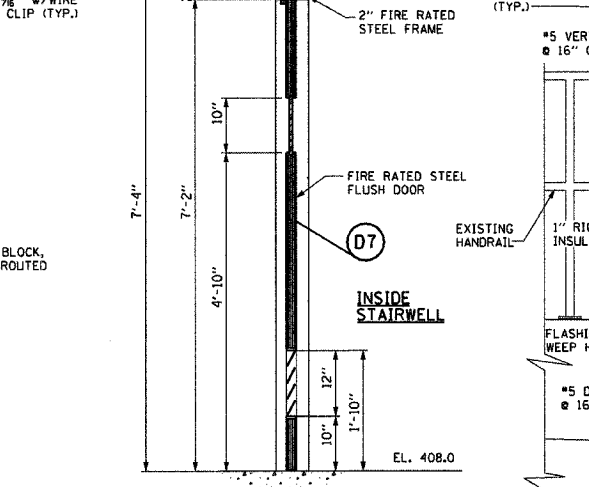
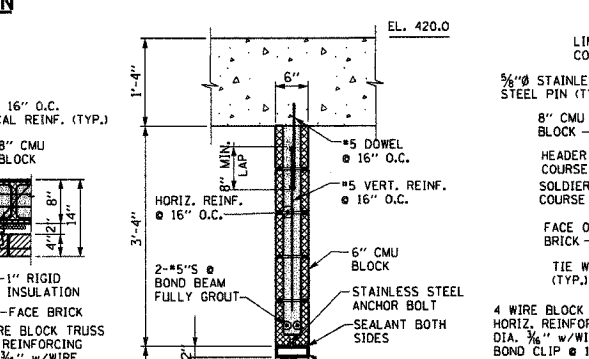
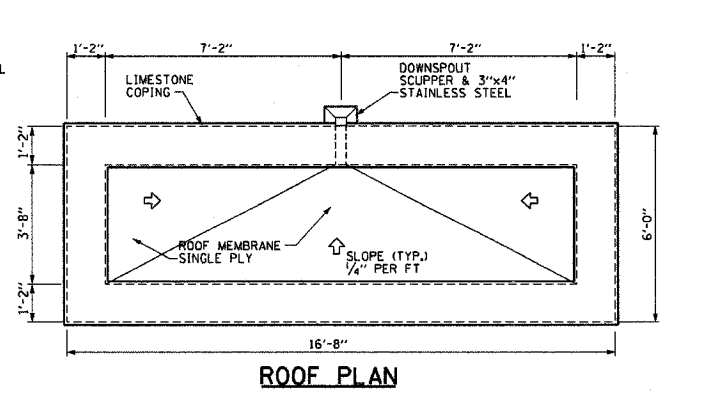
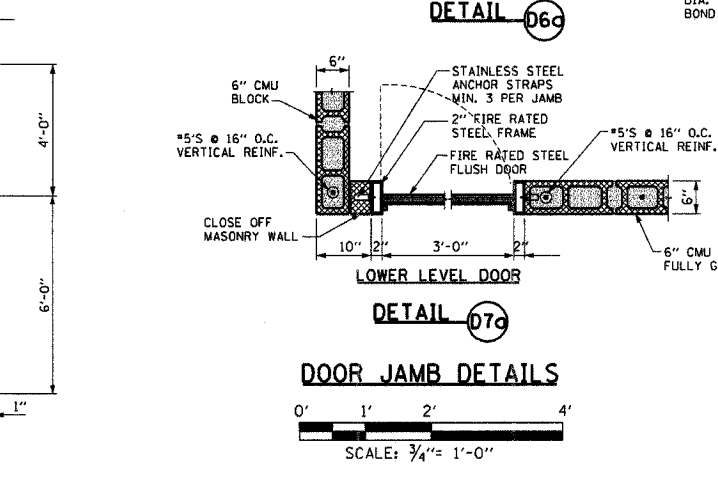
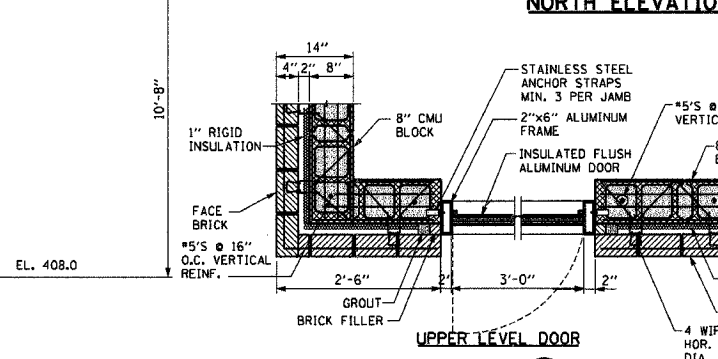
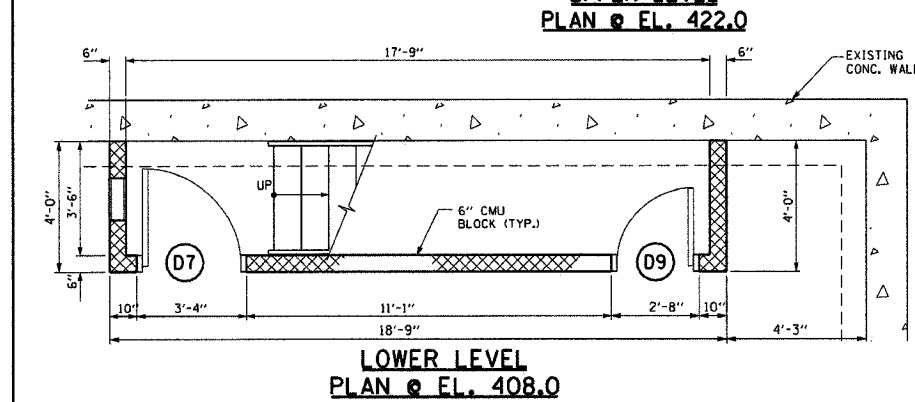
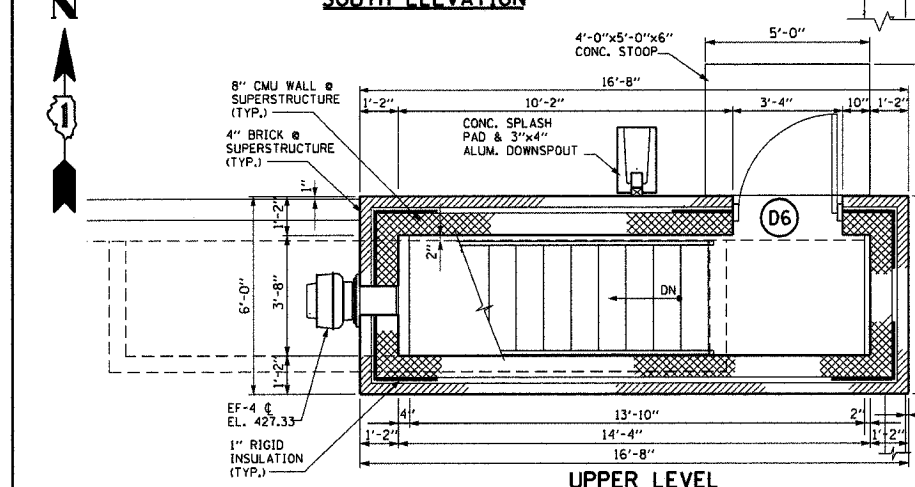
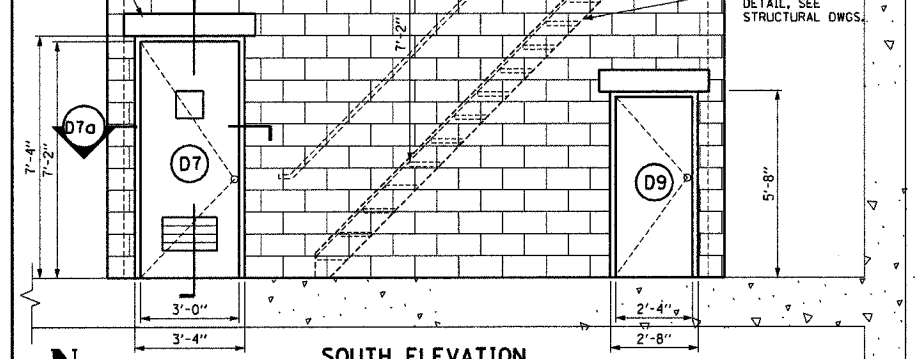
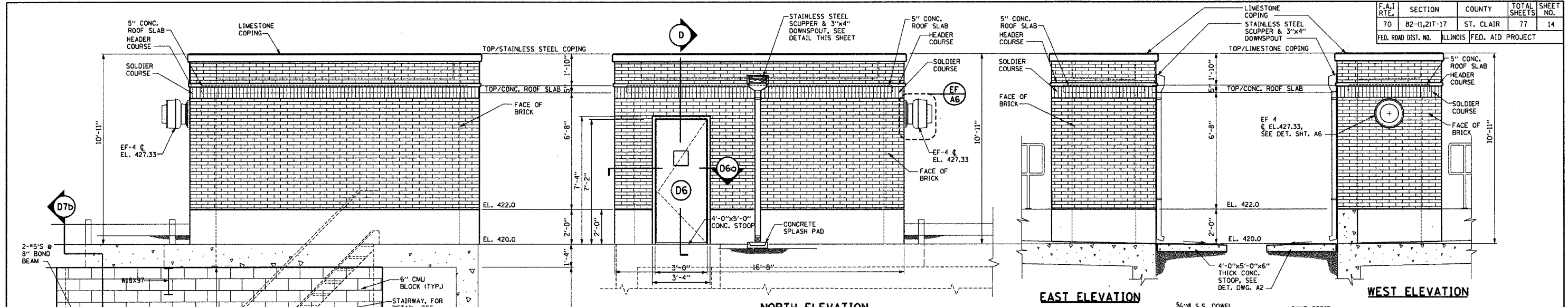


F.A.I. RTE.	SECTION	COUNTY	TOTAL SHEETS	SHEET NO.
70	B2-(1,2)T-17	ST. CLAIR	77	14
FED. ROAD DIST. NO.		ILLINOIS FED. AID PROJECT		



NOTES:
1. ALL STRUCTURAL AND MISCELLANEOUS STEEL TO BE HOT DIPPED GALVANIZED.

REVISIONS	
NAME	DATE

ILLINOIS DEPARTMENT OF TRANSPORTATION
BOWMAN AVENUE PUMP STATION
REHABILITATION
PLANS, ELEV. & DETAILS
ROOF STAIR ACCESS
 SCALE: AS SHOWN
 DATE: 09-12-05
 DRAWN BY: CM
 CHECKED BY: MW

ALVORD, BURDICK & HOWSON, L.L.C.
 ENGINEERS
 CHICAGO

