

## HARDWARE SCHEDULE

## DOOR SCHEDULE

ITEM NO.	DESCRIPTION	MANUFACTURER	MODEL NO.	GENERAL INFORMATION			REMARKS	DOOR NO.	SIZE	MATERIAL	FRAME	FINISH	HARDWARE ITEM NO.'S	REMARKS
				TYPE	MATERIAL	FINISH								
1	MORTISE LOCKSET w/ THUMB TURN	CORBIN RUSSWIN	ML-2000 SERIES	6 PIN, BRASS CYLINDER	BRONZE	US320 S.S. STAIN FINISH	MASTER KEY SYSTEM, COORDINATE WITH OWNER FOR FINAL KEYING	D1	(PR) 4'-0" W x 7'-10" H x 1'-3/4" 8'-4" W x 8'-0" FRAME	INSULATED FLUSH ALUMINUM	ALUMINUM	CLEAR ANODIZED	1, 2, 3, 4, 5, 7, 8, 9	INSULATED DOOR, PROVIDE CONSTRUCTION KEYING; COORDINATE MASTER KEY SYSTEM WITH OWNER
2	DOOR CLOSER	CORBIN RUSSWIN	DC2210-A2-M72	SURFACE MOUNTED	ALUMINUM	626 SATIN CHROMIUM PLATED	HEAVY DUTY WITH HOLD OPEN FEATURE	D2	3'-8" x 7'-10" x 1'-3/4" 4'-0" x 8'-0" FRAME	INSULATED FLUSH ALUMINUM	ALUMINUM	CLEAR ANODIZED	1, 2, 3, 4, 5, 9	INSULATED DOOR, PROVIDE CONSTRUCTION KEYING; COORDINATE MASTER KEY SYSTEM WITH OWNER
3	HINGE	HAGER/STANLEY	BB1199	HEAVY DUTY	STAINLESS STEEL	US320 S.S. SATIN FINISH	FIVE-KNUCKLE, NON RISING PIN, STAINLESS STEEL BALL BEARING TYPE, FULL MORTISE MOUNT	D3	3'-0" x 7'-10" x 1'-3/4" 3'-4" x 8'-0" FRAME	INSULATED FLUSH ALUMINUM	ALUMINUM	CLEAR ANODIZED	1, 2, 3, 4, 5, 9	INSULATED DOOR, PROVIDE CONSTRUCTION KEYING; COORDINATE MASTER KEY SYSTEM WITH OWNER
4	THRESHOLD	NATIONAL GUARD	896	SADDLE	ALUMINUM	CLEAR ANODIZED ALUM. FINISH	SET IN SEALANT, WITH BUMPER GASKET, EXTERIOR DOORS ONLY	D4	3'-8" x 7'-10" x 1'-3/4" 4'-0" x 8'-0" FRAME	INSULATED FLUSH ALUMINUM	ALUMINUM	CLEAR ANODIZED	1, 2, 3, 4, 5, 9	INSULATED DOOR, PROVIDE CONSTRUCTION KEYING; COORDINATE MASTER KEY SYSTEM WITH OWNER
5	WEATHERSTRIPPING	NATIONAL GUARD	700N	PER SPECIFICATION	NEOPRENE/VINYL	CLEAR ANODIZED ALUM. FINISH	EXTERIOR DOORS ONLY	D5	DR: 3'-8" x 7'-10" x 1'-3/4" 3'-8" W x 3'-4" H OPNG IN TRANSOM 4'-4" W x 11'-4" H FRAME/TRANSOM SEE DETAIL BELOW	INSULATED FLUSH ALUMINUM	ALUMINUM	CLEAR ANODIZED	1, 2, 3, 4, 5, 9	INSULATED DOOR, PROVIDE CONSTRUCTION KEYING; COORDINATE MASTER KEY SYSTEM WITH OWNER
6	MORTISE LATCHSET (INTERIOR DOORS)	CORBIN RUSSWIN	ML-2200 SERIES	PASSAGE SET TYPE-NO LOCK	BRONZE	US26D SATIN CHROMIUM PLATED	MODEL TYPE ML2010 3/4" LATCH THROW, NO LOCKING MECHANISM	D6	3'-0" x 7'-2" x 1'-3/4" 3'-4" x 7'-4" FRAME	INSULATED FLUSH ALUMINUM	ALUMINUM	CLEAR ANODIZED	1, 2, 3, 4, 5, 9	DOOR WITH WINDOW AT TOP OF ROOF STAIR ACCESS, LOCKSET DOOR WITH WINDOW AND LOUVER AT BOTTOM OF STAIRWAY, LATCHSET, C-LABEL FIRE-RATED
7	FLUSH BOLTS	CORBIN RUSSWIN	MODEL 2849-NO. 70-1/2M STRIKE	6 PIN, BRASS CYLINDER	BRONZE	US320 S.S. SATIN FINISH	MASTER KEY SYSTEM, COORDINATE WITH OWNER KEY ACCESS TO OPERATE DOOR D2 ONLY	D6	3'-0" x 7'-2" x 1'-3/4" 3'-4" x 7'-4" FRAME	INSULATED FLUSH ALUMINUM	ALUMINUM	CLEAR ANODIZED	1, 2, 3, 4, 5, 9	DOOR WITH WINDOW AND LOUVER AT BOTTOM OF STAIRWAY, LATCHSET, C-LABEL FIRE-RATED
8	ASTRAGAL	NATIONAL GUARD	MODEL NO. 1785A	SURFACE MOUNT	STAINLESS STL	STAINLESS STEEL	SURFACE MOUNTED ON ACTIVE DOOR LEAF, PER MANUFACTURERS INSTRUCTIONS	D7	3'-0" x 7'-2" x 1'-3/4" 3'-4" x 7'-4" FRAME	HOLLOW METAL	HOLLOW METAL	PRIME AND FINISH PAINT	2, 3, 4, 6	MODIFY EXISTING DOOR LEAF FOR NEW 10" SQ. WINDOW; GLAZING (INSULATED, DBL PANE, WIRED GLASS), PRIME AS REQUIRED AND FINISHED PAINT ENTIRE DOOR AND FRAME
9	DOOR SWEEP	NATIONAL GUARD	600	NYLON BRASS GASKETING	ALUMINUM	CLEAR ALUMINUM FINISH	PER MANUFACTURERS INSTRUCTIONS	D8	EXISTING DOOR	EXISTING HOLLOW METAL	EXISTING HOLLOW METAL	PRIME FINISH PAINT	EXISTING HARDWARE	CLEANOUT ACCESS, NORMALLY LOCKED
								D9	2'-4" x 5'-6" x 1 1/2" 2'-8" x 5'-8" FRAME	HOLLOW METAL	HOLLOW METAL	PRIME AND FINISH PAINT	1, 3	STEEL COMPONENTS FINISH PAINTED TO MATCH ALUMINUM FINISH INSULATED SLATS, MANUALLY OPERATED
								OH1	8'-0" W x 8'-0" H	INSULATED ALUMINUM SLATS	HOT DIP GALV. STEEL	CLEAR ANODIZED ALUMINUM SLATS	N/A	STEEL COMPONENTS FINISH PAINTED TO MATCH ALUMINUM FINISH INSULATED SLATS, MANUALLY OPERATED

\*REFER TO DOOR/LOUVER FRAME DETAILS ON ELEVATION DETAILS THIS SHEET

## ROOM FINISH SCHEDULE

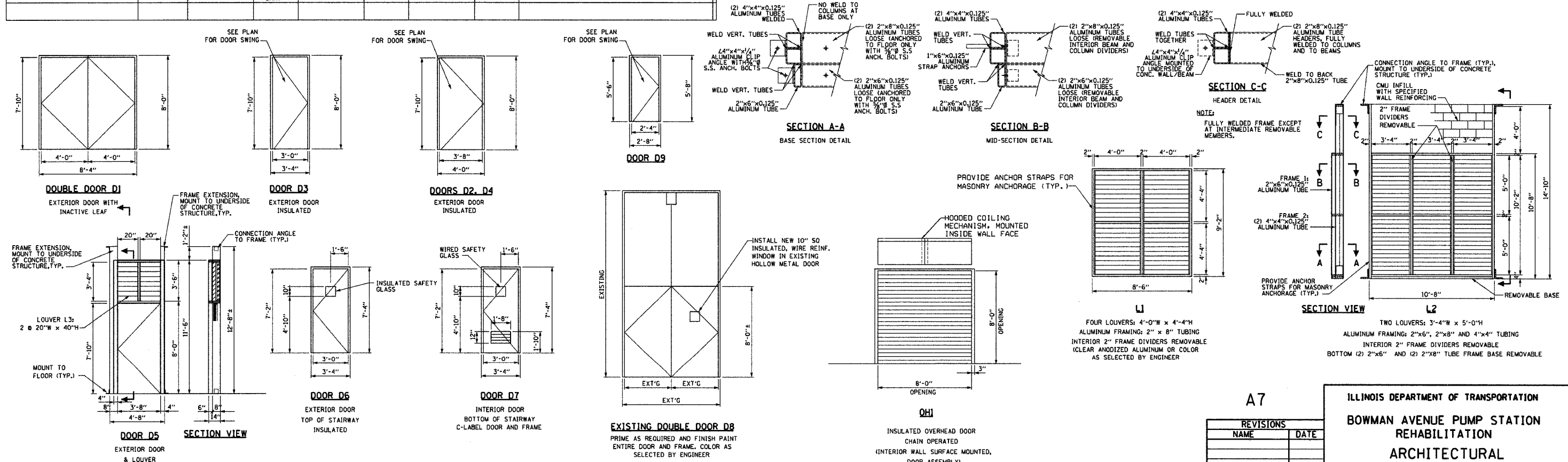
## LOUVER SCHEDULE (COORDINATE WITH MECHANICAL DRAWINGS AND SPECS)

ROOM NAME	STOOP	FLOOR		WALLS		CEILING		REMARKS
	ELEV.	FINISH	COLOR	FINISH	COLOR	FINISH	COLOR	
ELECTRICAL CONTROL ROOM	419.5	NON-SLIP EPOXY COATING	LIGHT GRAY	HI-BUILD EPOXY COATING	TANNERY	HI-BUILD EPOXY COATING	WHITE	
ENGINE GENERATOR ROOM	419.5	NON-SLIP EPOXY COATING	LIGHT GRAY	HI-BUILD EPOXY COATING	TANNERY	HI-BUILD EPOXY COATING	WHITE	
ROOF STAIR ACCESS	420.0	NON-SLIP EPOXY COATING	LIGHT GRAY	HI-BUILD EPOXY COATING	TANNERY	HI-BUILD EPOXY COATING	WHITE	
EXISTING BUILDING MOTOR ROOM	408.0	NON-SLIP EPOXY COATING	LIGHT GRAY	HI-BUILD EPOXY COATING	TANNERY	HI-BUILD EPOXY COATING	WHITE	LEAD ABATEMENT (SEE SPECIFICATIONS) FINISH PAINT INTERIOR
EXISTING BUILDING MCC ROOM	408.0	NON-SLIP EPOXY COATING	LIGHT GRAY	HI-BUILD EPOXY COATING	TANNERY	HI-BUILD EPOXY COATING	WHITE	LEAD ABATEMENT (SEE SPECIFICATIONS) FINISH PAINT INTERIOR
EXISTING BUILDING DISCHARGE FLOORS	393.67	NON-SLIP EPOXY COATING	LIGHT GRAY	HI-BUILD EPOXY COATING	TANNERY	HI-BUILD EPOXY COATING	WHITE	POWER WASHING ALL SURFACES REQUIRING PAINTING FINISH PAINT PER SPECIFICATIONS
EXISTING BUILDING INTERMEDIATE ROOM	380.0	NON-SLIP EPOXY COATING	LIGHT GRAY	HI-BUILD EPOXY COATING	TANNERY	HI-BUILD EPOXY COATING	WHITE	POWER WASHING ALL SURFACES REQUIRING PAINTING FINISH PAINT PER SPECIFICATIONS

LOUVERS NO.	SIZE	% FREE AREA	MATERIAL	FINISH	SCREENS	REMARKS
L1	(4) 4'-0" W x 4'-4" H LOUVERS 8'-6" W x 9'-2" H M.G.	50% MIN.	ALUMINUM	CLEAR ANODIZED	INSECT TYPE STAINLESS STEEL	4 LOUVER PANELS TO FIT INTO AN ALUMINUM FRAME w/ CENTER DIVIDERS, CENTER DIVIDERS TO BE FASTENED, AND REMOVABLE, COORDINATE WITH MECHANICAL
L2	(6) 3'-4" W x 5'-0" H LOUVERS 10'-8" W x 10'-8" H M.D. FRAME 1: 2"x6" TUBING (SEE DETAIL) FRAME 2: 2"x8", 4"x4" TUBING (SEE DETAIL)	50% MIN.	ALUMINUM	CLEAR ANODIZED	INSECT TYPE STAINLESS STEEL	2 LOUVER PANELS TO FIT INTO AN ALUMINUM FRAME w/ CENTER DIVIDERS, DIVIDERS REMOVABLE.
L3	2 @ 20" W x 40" H LOUVERS SEE DOOR D5 FOR TRANSOM OPENING	50% MIN.	ALUMINUM	CLEAR ANODIZED	INSECT TYPE STAINLESS STEEL	FIT LOUVER INTO DOOR TRANSOM FRAME, COORDINATE WITH INSTALLATION OF DAMPER

\*REFER TO DOOR/LOUVER FRAME DETAILS ON ELEVATION DETAILS THIS SHEET

NOTE: 1. ALL LOUVER FINISH COLORS TO MATCH CLEAR ANODIZED ALUMINUM OR COLOR AS SELECTED BY ENGINEER.



ALVORD, BURDICK & HOWSON, L.L.C.  
ENGINEERS  
CHICAGO

REVISIONS	
NAME	DATE

ILLINOIS DEPARTMENT OF TRANSPORTATION  
BOWMAN AVENUE PUMP STATION  
REHABILITATION  
ARCHITECTURAL  
SCHEDULES & DETAILS  
SCALE: AS SHOWN  
DATE: 09-12-05  
DRAWN BY: CM  
CHECKED BY: MW  
PLOT DATE: \*DATE-TIME\*