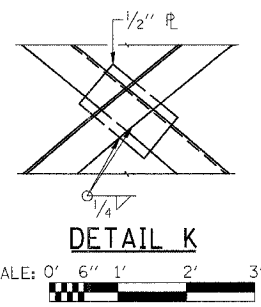
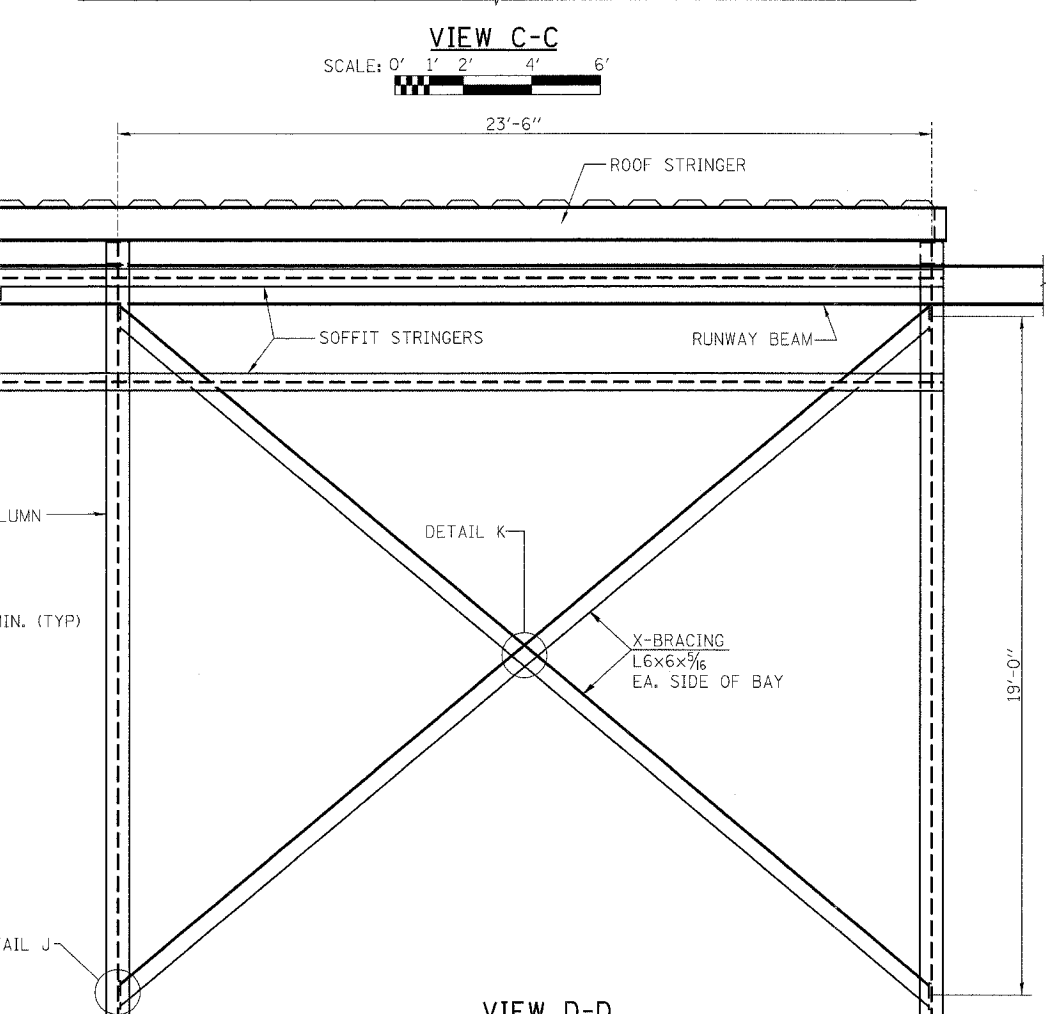
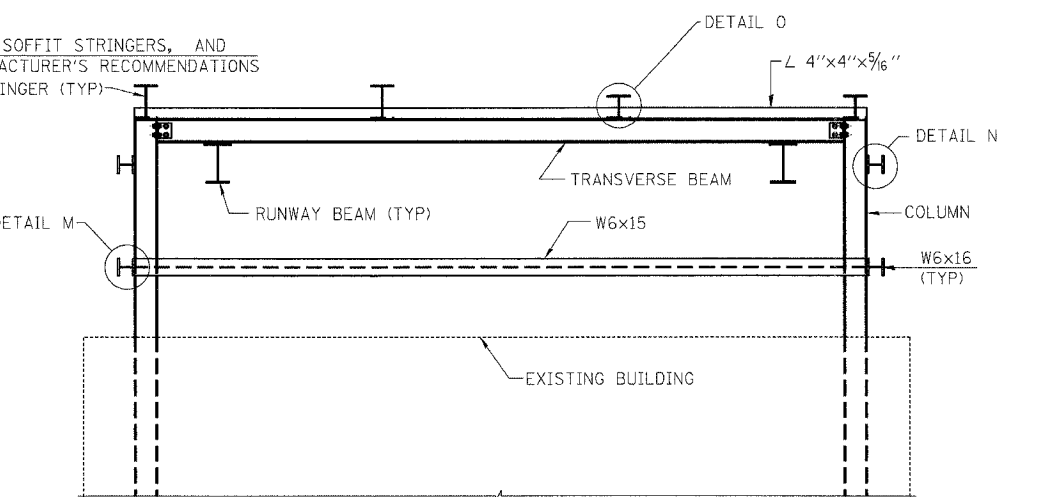
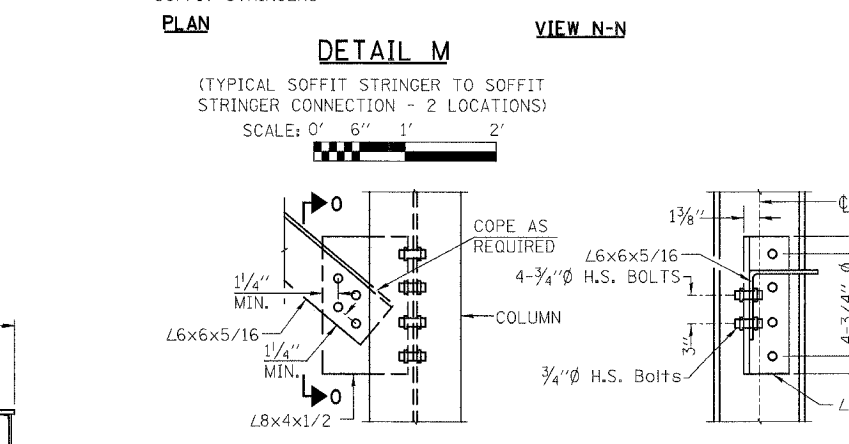
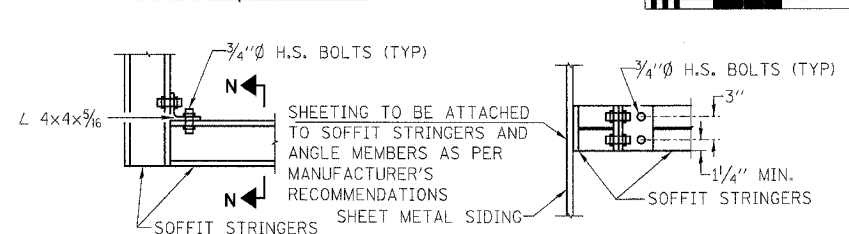
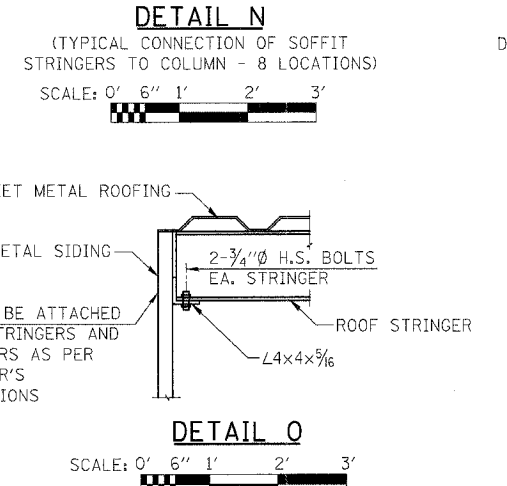
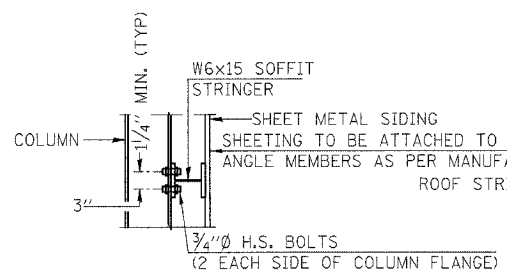
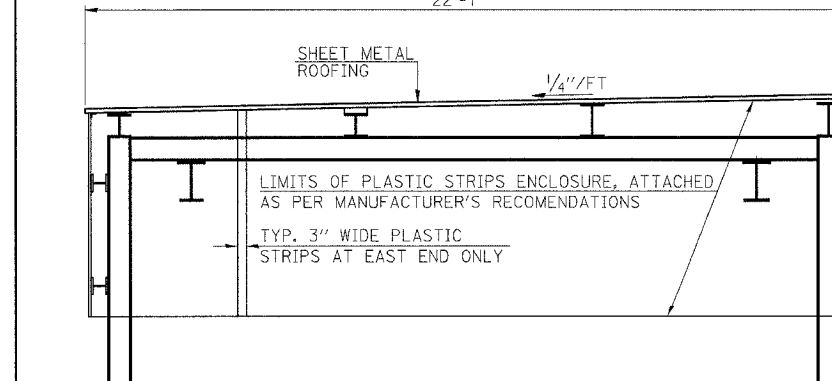
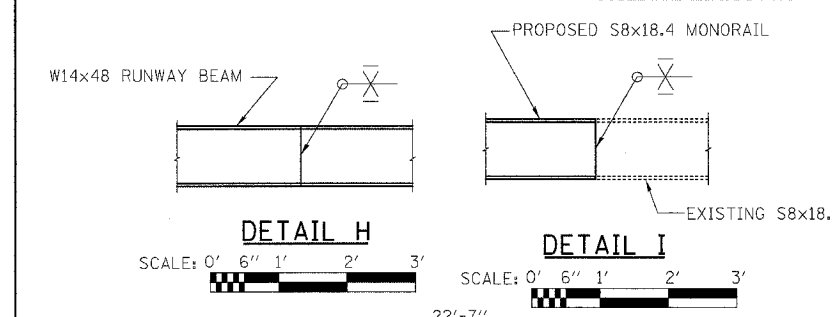
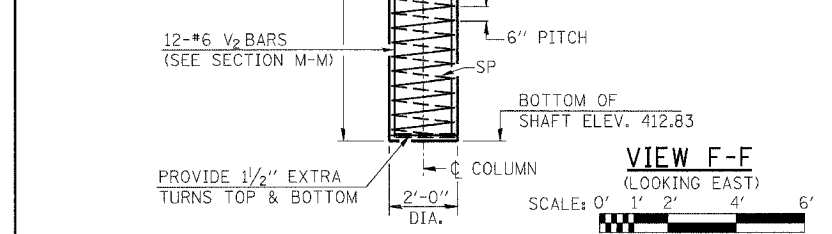
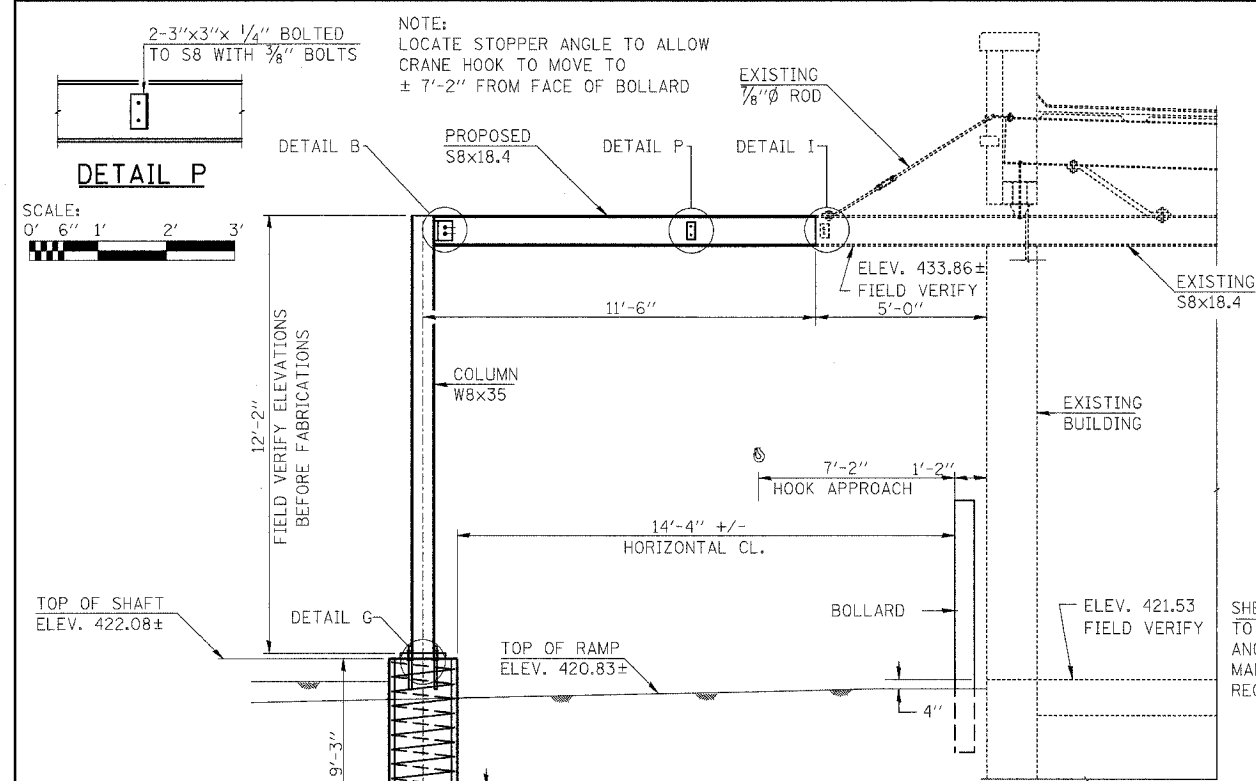


F.A.I. RTE.	SECTION	COUNTY	TOTAL SHEETS	SHEET NO.
70	82-1,217-17	ST. CLAIR	77	27
FED. ROAD DIST. NO.	ILLINOIS	FED. AID PROJECT		



- NOTES**
- METAL SHEETING NOT SHOWN FOR CLARITY.
  - ALL WELDS SHOWN ARE FIELD WELDS.
  - FOR DETAIL B SEE SHEET S8.
  - FOR DETAIL G SEE SHEET S9.
  - ALL STEEL SHEET ROOFING & SIDING SHALL HAVE MINIMUM SECTION MODULUS OF 0.29 CU. IN./FT AND SHALL BE GALVANIZED ACCORDING TO AASHTO M111 AND ASTM 385.
  - DAMAGE TO GALVANIZATION DURING INSTALLATION SHALL BE COATED WITH AN APPROVED ZINC RICH PAINT BEFORE ERECTION.



**S10**

REVISIONS	
NAME	DATE

ILLINOIS DEPARTMENT OF TRANSPORTATION  
**BOWMAN AVENUE PUMP STATION  
 REHABILITATION**  
**OVERHEAD CRANE DETAILS**  
 SCALE: AS SHOWN  
 DATE: 09-12-05  
 DRAWN BY: JMD  
 CHECKED BY: KC

DATE	
DESIGNED	
CHECKED	
ALIGNED	
PLANNED	
NO.	
FILE NAME	
PLAN	

**LIN ENGINEERING, LTD.**

DATE TIME  
 DATE TIME  
 REF. SPEC.  
 REF.

PLOT DATE: DATE-TIME