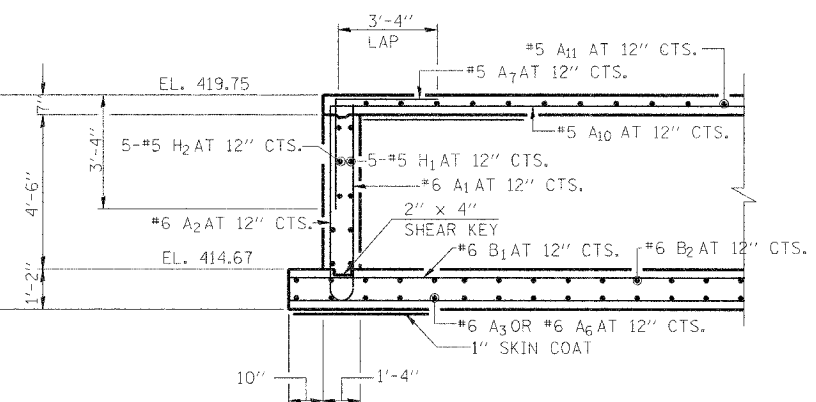
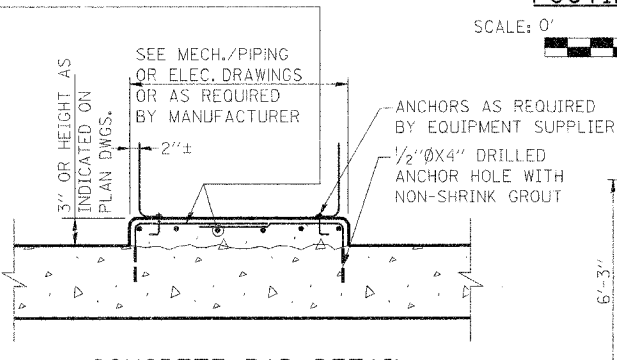
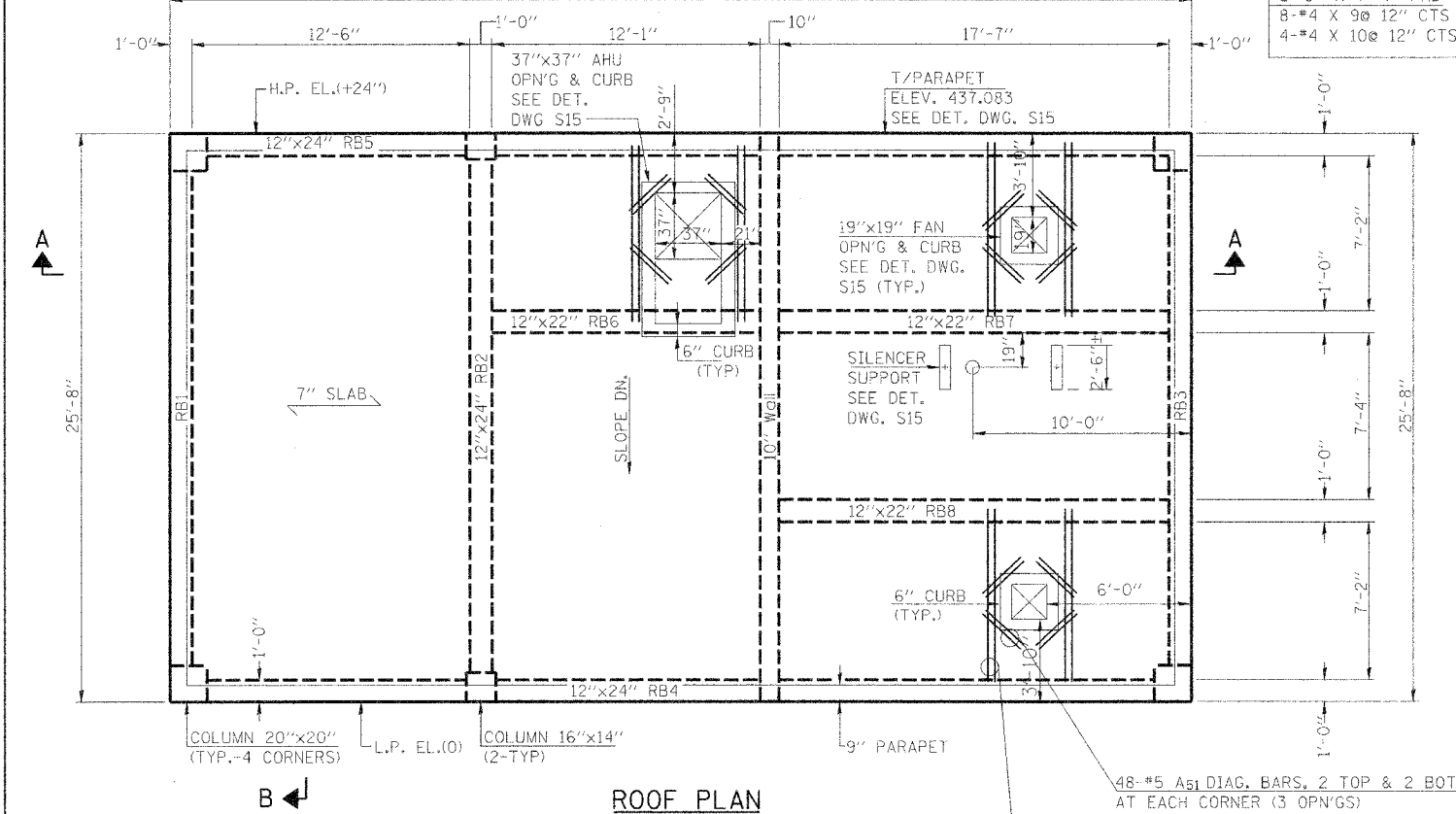
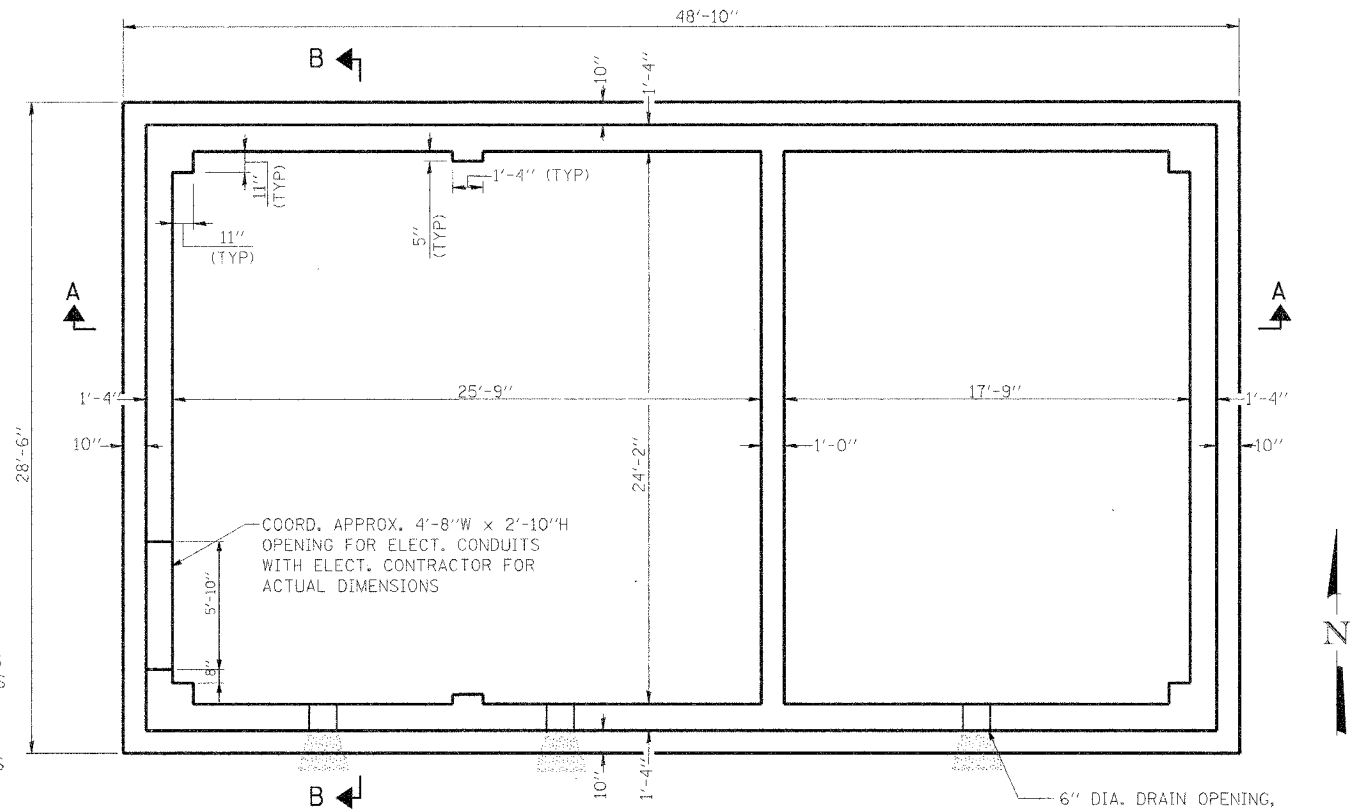
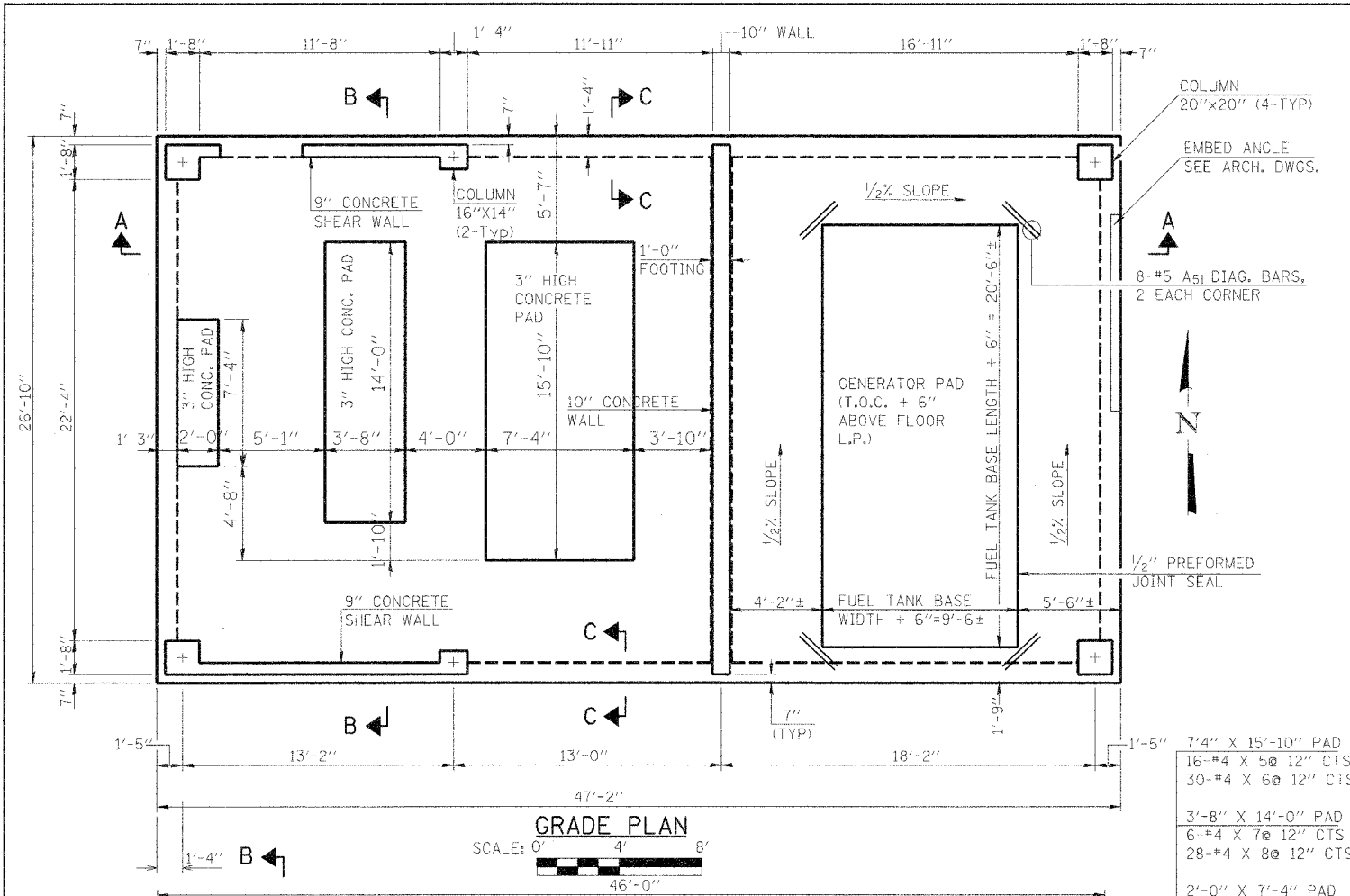
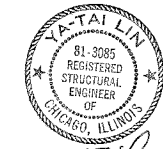


F.A.I. RTE.	SECTION	COUNTY	TOTAL SHEETS	SHEET NO.
70	82-11.21T-17	ST. CLAIR	77	29
FED. ROAD DIST. NO.	ILLINOIS	FED. AID PROJECT		

DATE	BY
SURVEYED	BY
PLOTTED	BY
NOTED	BY
NO.	



- NOTES:**
1. ALL DIMENSIONS FOR CONCRETE PADS ROOF EQUIPMENT SUPPORTS, OPENINGS & THE GENERATOR PAD ARE FOR BID PURPOSES ONLY AND SHALL BE ADJUSTED AS REQUIRED BASED ON APPROVED EQUIPMENT SHOP DRAWINGS.
  2. FOR ROOF EQUIPMENT DETAILS, SEE MECHANICAL DRAWINGS.
  3. FOR ELECTRICAL EQUIPMENT DETAILS, SEE ELECTRICAL DRAWINGS.
  4. FOR SECTION A-A SEE SHEET S13.
  5. FOR SECTION B-B SEE SHEET S14.



**S12**

REVISIONS	NAME	DATE

**ILLINOIS DEPARTMENT OF TRANSPORTATION**

**BOWMAN AVENUE PUMP STATION REHABILITATION**

**ELECTRICAL CONTROL/ GENERATOR BLDG. PLANS**

SCALE: AS SHOWN  
DATE: 09-12-05  
DRAWN BY: JMD  
CHECKED BY: SP  
PLOT DATE: \*DATE-TIME\*

**ALVORD, BURDICK & HOWSON, L.L.C.**  
ENGINEERS  
CHICAGO