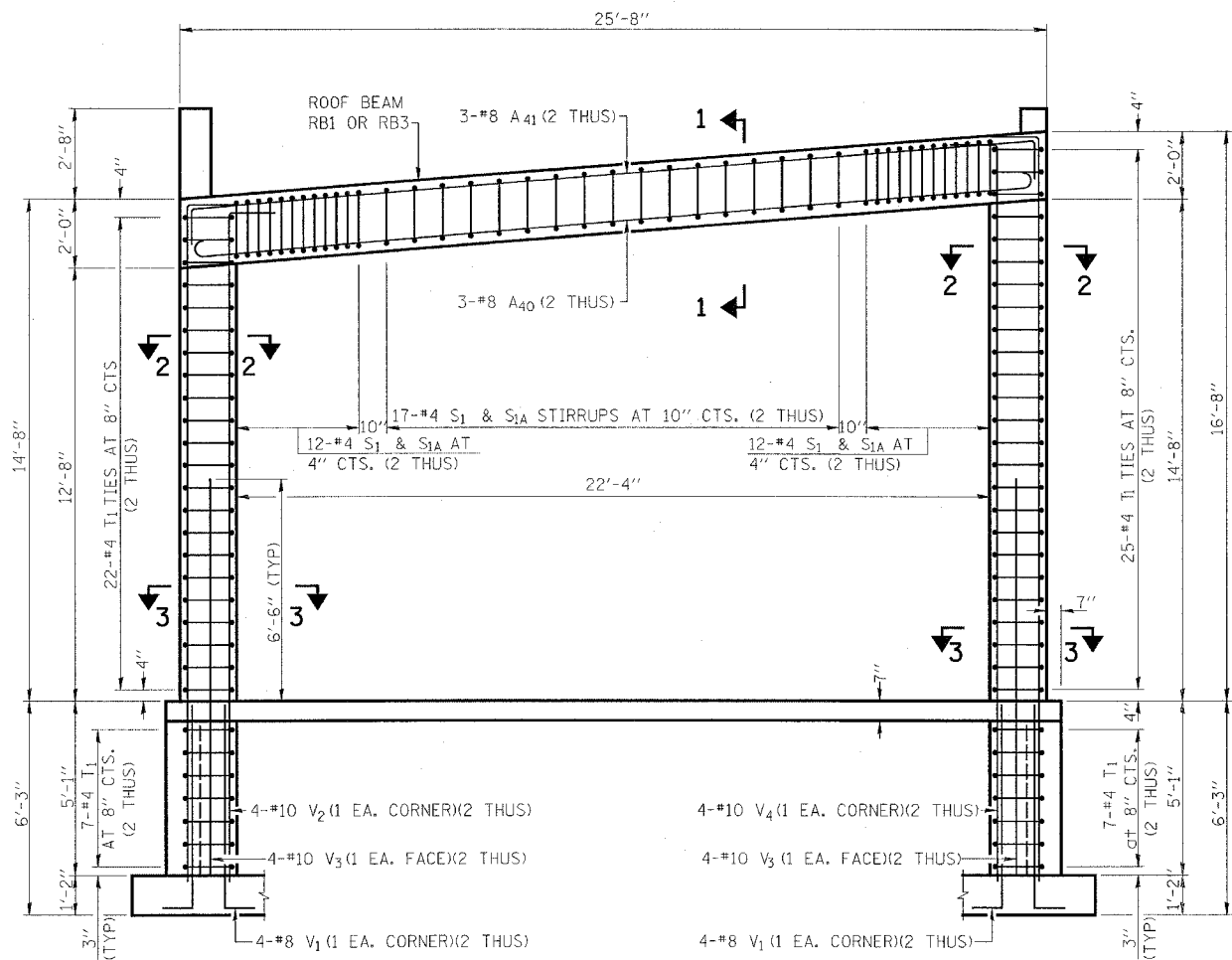
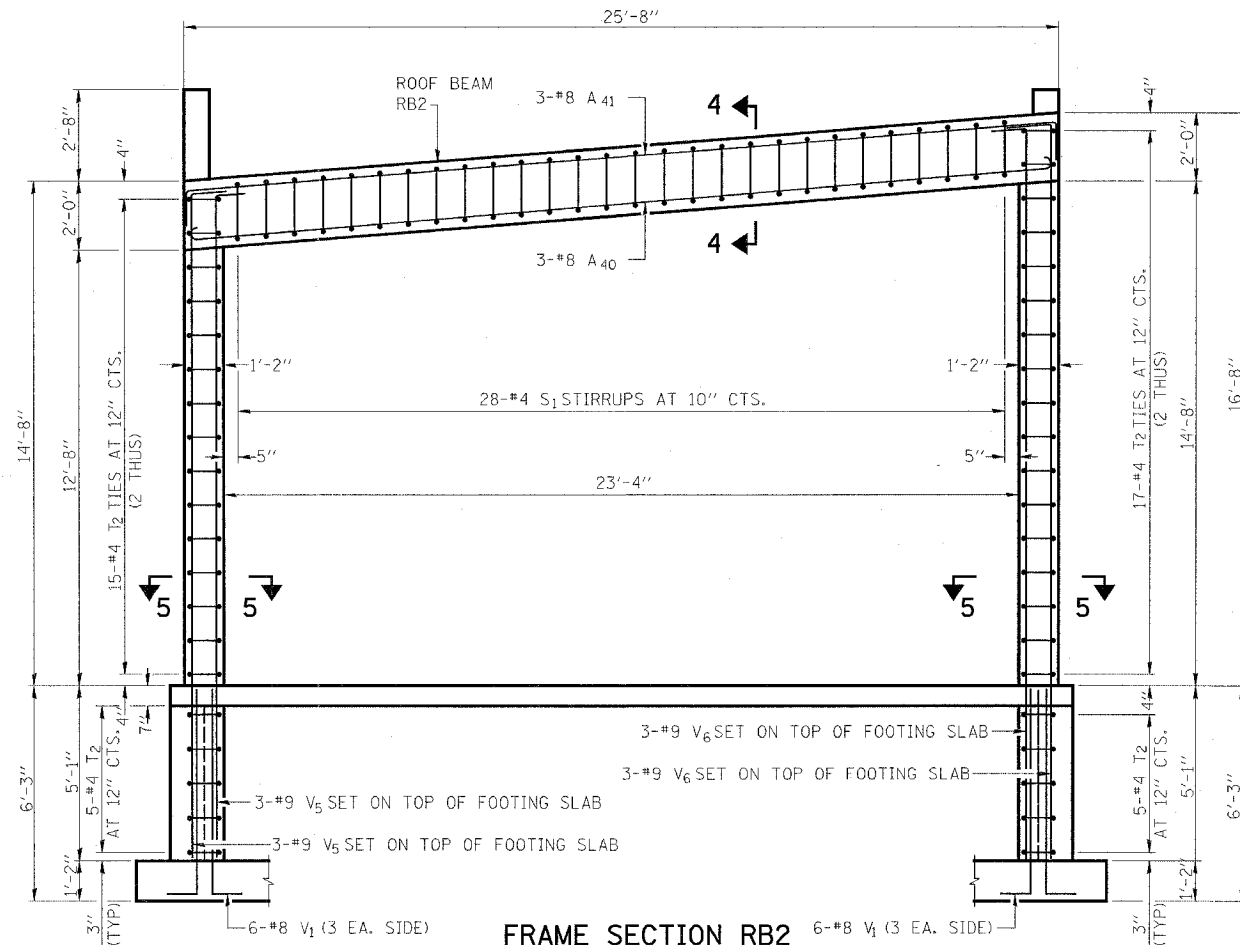


F.A.I. RTE.	SECTION	COUNTY	TOTAL SHEETS	SHEET NO.
70	82-1,217-17	ST. CLAIR	77	32
FED. ROAD DIST. NO.	ILLINOIS	FED. AID PROJECT		

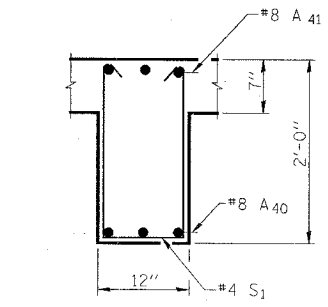
PLAN	REVISIONS	DATE
NO.	NO.	
	BY	
	DATE	
	BY	
	DATE	



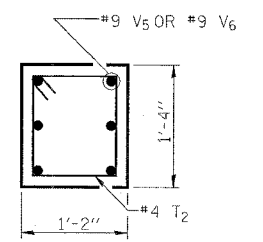
**FRAME SECTION RB1 & RB3**  
(FOR LOCATION SEE ROOF PLAN DWG. S12)  
(SCALE 3/8"=1')



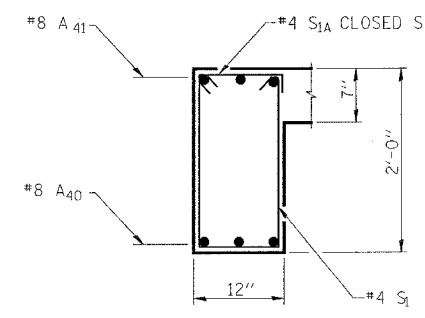
**FRAME SECTION RB2**  
(FOR LOCATION SEE ROOF PLAN DWG. S12)  
(SCALE: 0' 1' 2' 4' 6')



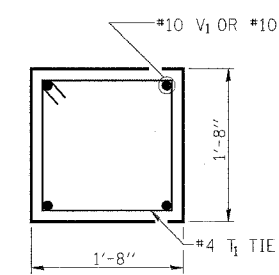
**SECTION 4-4**  
SCALE: 0' 6" 1' 2'



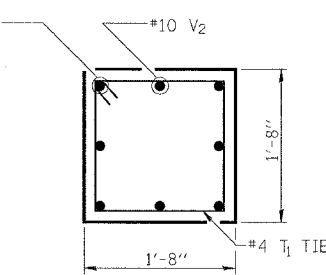
**SECTION 5-5**  
SCALE: 0' 6" 1' 2'



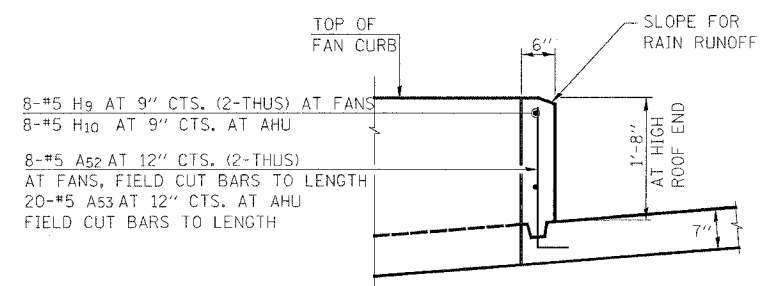
**SECTION 1-1**  
SCALE: 0' 6" 1' 2'



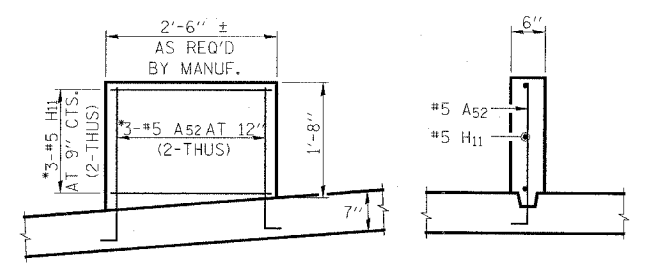
**SECTION 2-2**  
SCALE: 0' 6" 1' 2'



**SECTION 3-3**  
SCALE: 0' 6" 1' 2'



**FAN & AHU ROOF CURB DETAIL**  
SCALE: 0' 6" 1' 2' 3'



**SILENCER ROOF SUPPORT**  
SCALE: 0' 6" 1' 2' 3'

**ALVORD, BURDICK & HOWSON, L.L.C.**  
ENGINEERS CHICAGO

**S15**

REVISIONS	DATE

**ILLINOIS DEPARTMENT OF TRANSPORTATION**  
**BOWMAN AVENUE PUMP STATION REHABILITATION**  
**ELECTRICAL CONTROL/GENERATOR BLDG. DETAILS**  
SCALE: AS SHOWN  
DATE: 09-12-05  
DRAWN BY: JMD  
CHECKED BY: SP

PLOT DATE: \*DATE-TIME\*