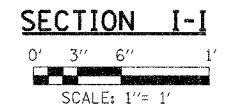
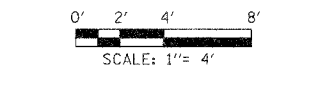
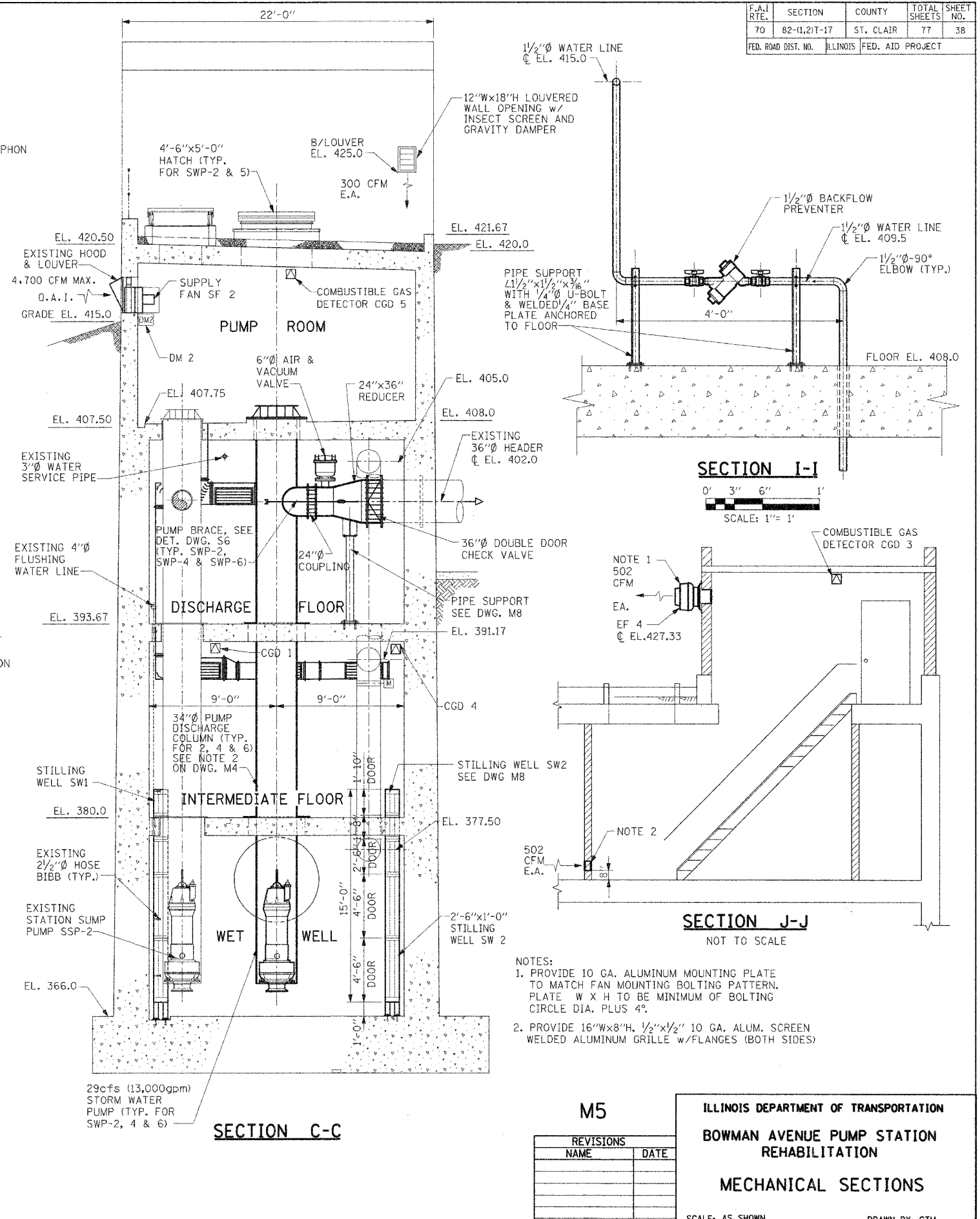
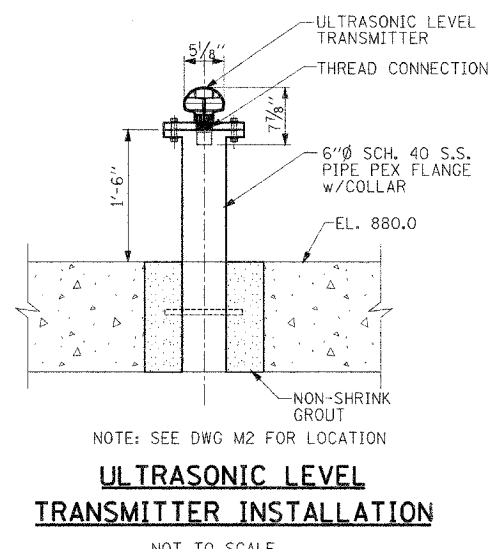
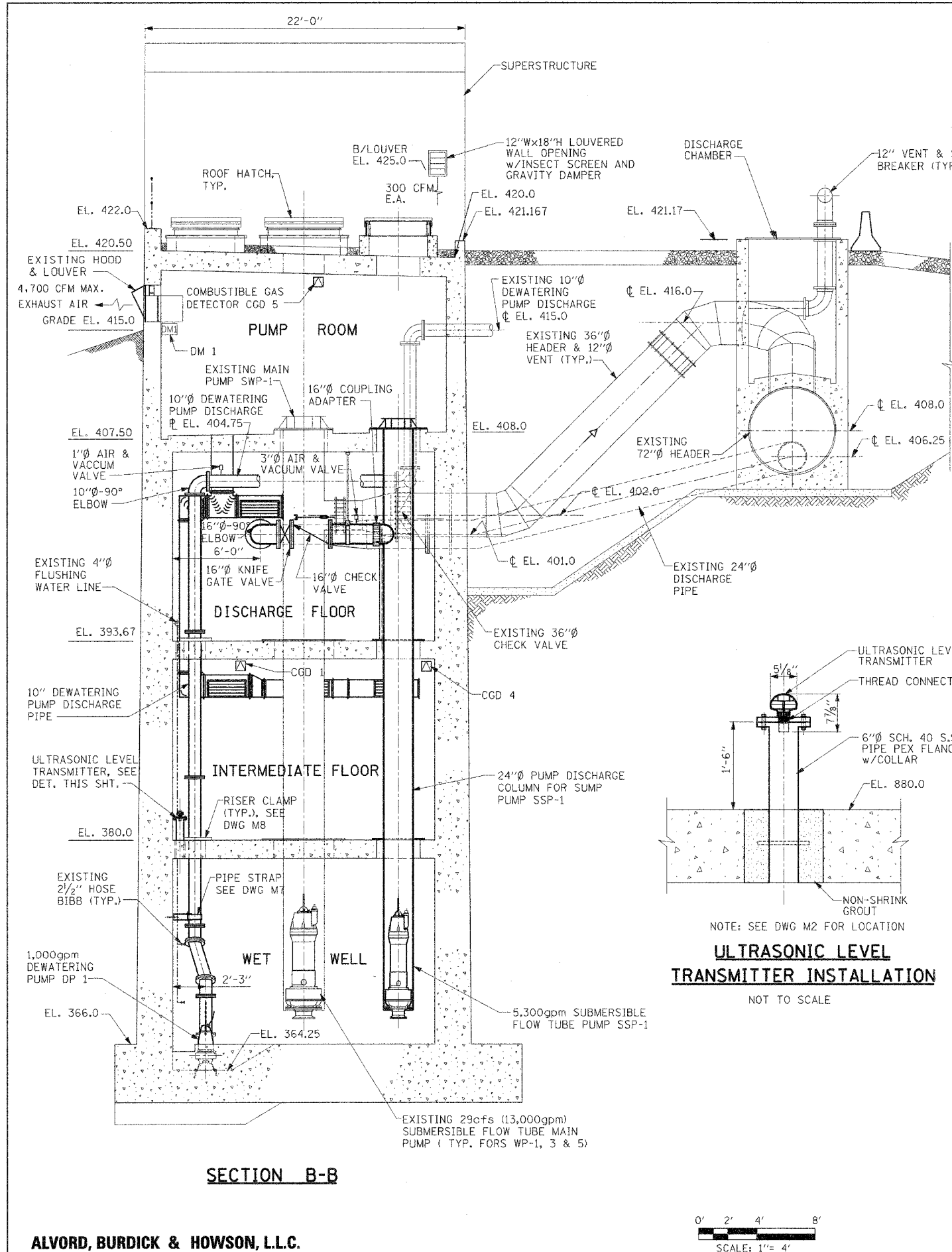


F.A.I. RTE.	SECTION	COUNTY	TOTAL SHEETS	SHEET NO.
70	82-0.2IT-17	ST. CLAIR	77	38
FED. ROAD DIST. NO.	ILLINOIS FED. AID PROJECT			



- NOTES:
- PROVIDE 10 GA. ALUMINUM MOUNTING PLATE TO MATCH FAN MOUNTING BOLTING PATTERN. PLATE W X H TO BE MINIMUM OF BOLTING CIRCLE DIA. PLUS 4\"
 - PROVIDE 16\"Wx8\"H, 1/2\"x1/2\" 10 GA. ALUM. SCREEN WELDED ALUMINUM GRILLE W/FLANGES (BOTH SIDES)

ALVORD, BURDICK & HOWSON, L.L.C.
 ENGINEERS CHICAGO

ILLINOIS DEPARTMENT OF TRANSPORTATION
BOWMAN AVENUE PUMP STATION
REHABILITATION
MECHANICAL SECTIONS

M5

REVISIONS	
NAME	DATE

SCALE: AS SHOWN DATE: 09-12-05 DRAWN BY: CTM CHECKED BY: KC
 PLOT DATE: *DATE-TIME*