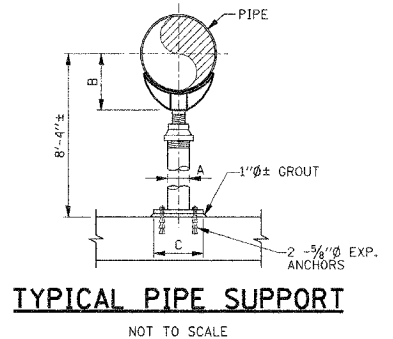
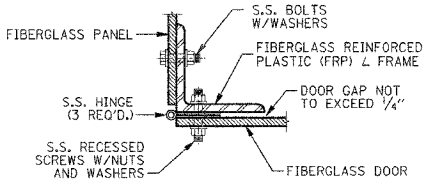


**RISER CLAMP DETAIL**  
NOT TO SCALE

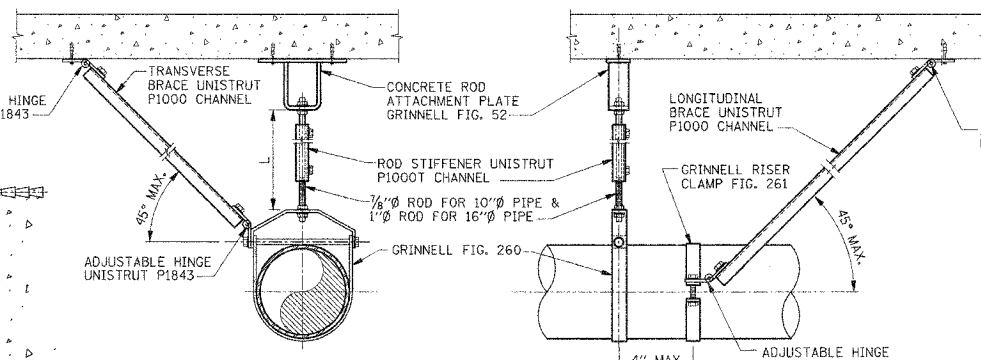


**TYPICAL PIPE SUPPORT**  
NOT TO SCALE

PIPE SIZE	SUPPORT DIMENSION		
	A	B	C
16"	4"	12 3/8"	11 1/2"
24"	6"	17 3/8"	13 1/2"

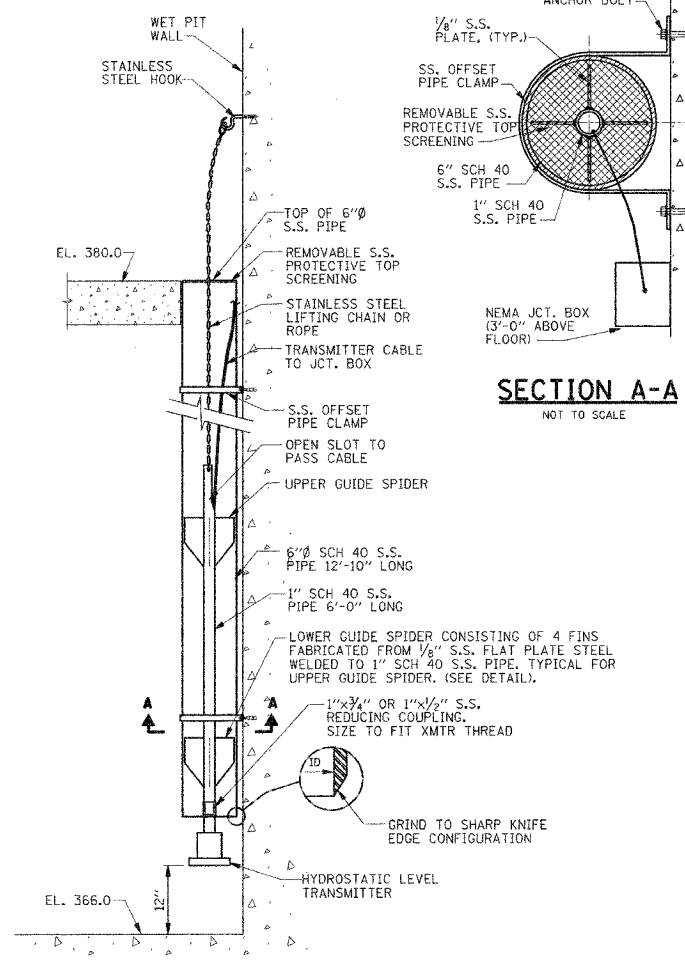


**STAINLESS STEEL DOOR HINGE DETAIL**  
SCALE: 3" = 1"



**PIPE HANGER DETAIL**  
NOT TO SCALE

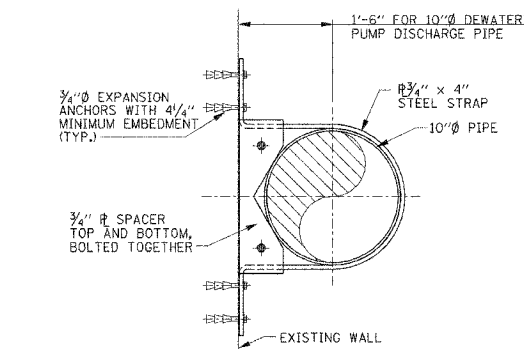
ROD SIZE	MAX. "L" WITHOUT ROD STIFFENER
1/2"	43"
1"	50"



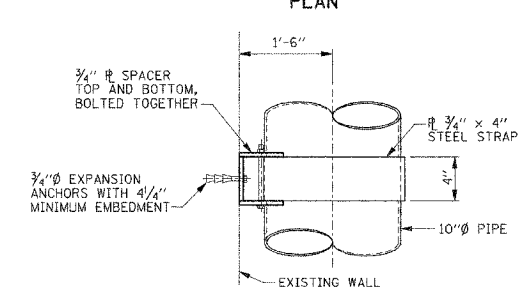
**SECTION A-A**  
NOT TO SCALE

**WET PIT HYDROSTATIC LEVEL TRANSMITTER INSTALLATION**  
NOT TO SCALE

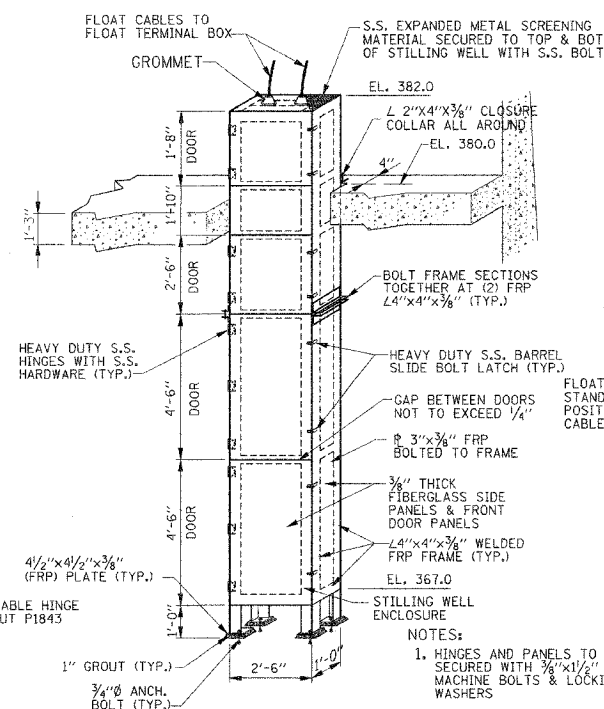
NOTE: ALL PIPES AND SUPPORT HARDWARES SHALL BE 304 STAINLESS STEEL.



**PIPE STRAP DETAIL**  
NOT TO SCALE

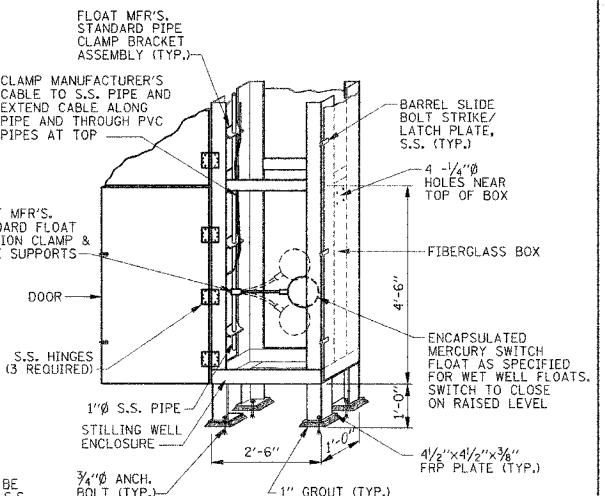


**REDUCER PIPE SUPPORT**  
SCALE: 1" = 1"

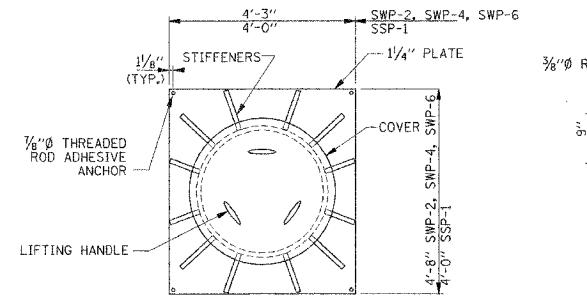


**FLOAT STILLING WELL DETAIL FOR PUMP FLOAT CONTROL, SW1 & SW2**  
(2 REQUIRED)  
SCALE: 3/8" = 1"

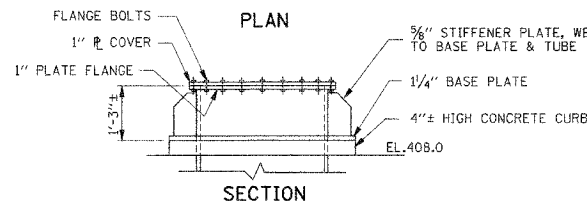
NOTE: SEE DWG. M2 FOR LOCATION



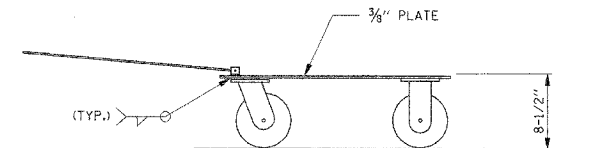
**FLOAT DETAIL IN STILLING WELL ENCLOSURES**  
SCALE: 3/8" = 1"



**PUMP DOLLY PLAN**



**SECTION**



**PUMP DOLLY**  
SCALE: 3/4" = 1"

NOTES:  
1. TUBE SUPPORT DIMENSIONS & ARRANGEMENT ARE FOR BID PURPOSE ONLY. FINAL DESIGN AND ARRANGEMENT SHALL BE BY PUMP MANUFACTURER.  
2. PROVIDE ELECTRICAL PENETRATIONS & ATTACHMENTS SIMILAR TO PRESENT PUMPS SWP-5 & SSP-2 AND AS RECOMMENDED BY PUMP MANUFACTURER.

**TUBE SUPPORT DETAIL**  
SCALE: 1" = 2"

GENERAL NOTES:  
1. ALL STEEL PLATES, BARS, RODS AND STRUCTURAL SHAPES SHALL BE HOT DIP GALVANIZED AFTER FABRICATION.  
2. FOR TUBE STABILIZER PLATES DETAIL, SEE DWG. S6. TUBE SUPPORT AND TUBE STABILIZER PLATES SHALL BE PROVIDED BY THE PUMP MANUFACTURER.

M8

REVISIONS	
NAME	DATE

ILLINOIS DEPARTMENT OF TRANSPORTATION  
**BOWMAN AVENUE PUMP STATION REHABILITATION**  
**MECHANICAL DETAILS**

SCALE: AS SHOWN  
DATE: 09-12-05  
DRAWN BY: CTM  
CHECKED BY: KC

**ALVORD, BURDICK & HOWSON, L.L.C.**  
ENGINEERS CHICAGO

DATE: \_\_\_\_\_  
BY: \_\_\_\_\_  
SUBMITTED: \_\_\_\_\_  
PLOTTED: \_\_\_\_\_  
NOTE BOOK: \_\_\_\_\_  
ALORWAY CHECKED: \_\_\_\_\_  
NO. \_\_\_\_\_  
CADD FILE NAME: \_\_\_\_\_

DATE PLOT: \_\_\_\_\_  
PLOT TIME: \_\_\_\_\_  
PLOT SPEED: \_\_\_\_\_  
PLOT REF: \_\_\_\_\_  
PLOT SHEET: \_\_\_\_\_