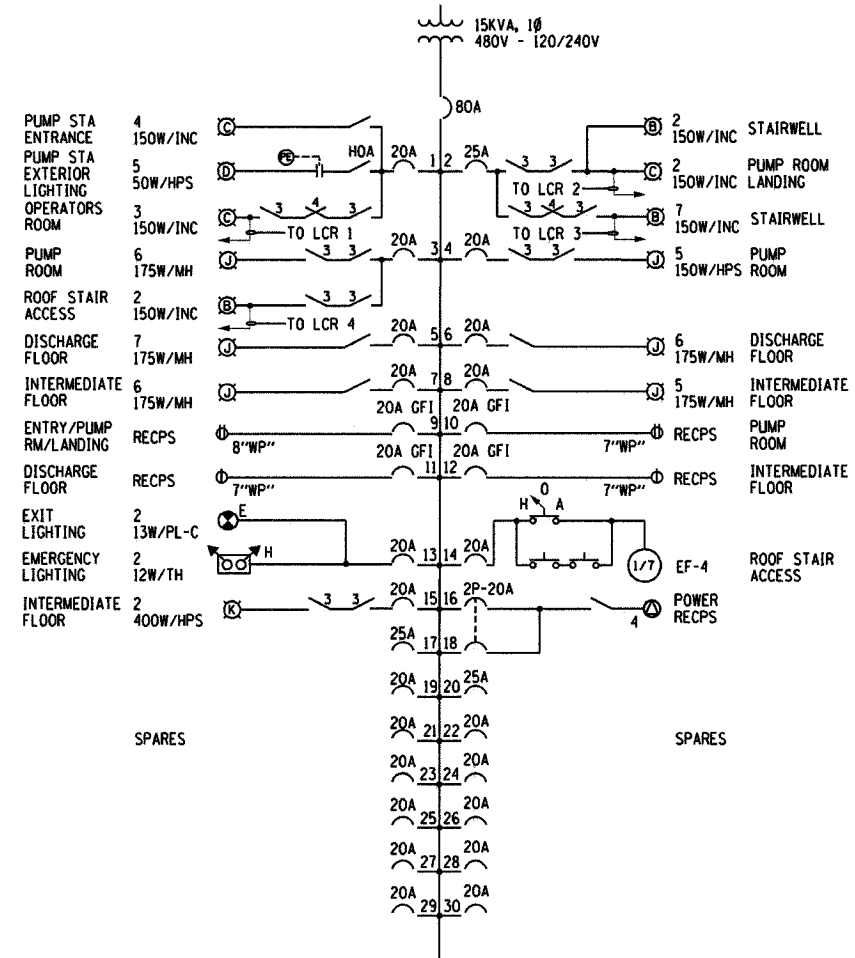
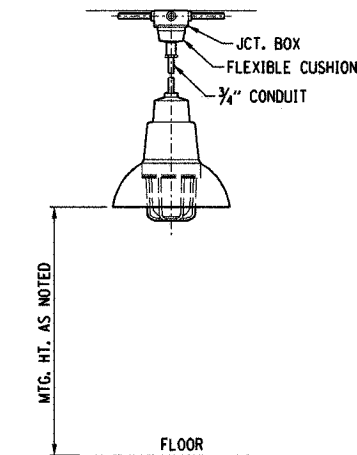


LIGHTING FIXTURE SCHEDULE			
TYPE	LAMPS	MOUNTING	DESCRIPTION
A	3 F32CW/RS	PENDANT	COLUMBIA PREMIUM INDUSTRIAL LTG. FIXT. W/PORCELAIN REFLECTOR CAT. NO. KL4-332-PR-3EB8120 OR APPROVED EQUAL
B	1 150W/A21	WALL	APPLETON LTG. FIXT. V-51 SERIES W/GUARD CAT. NO. JBW10-G OR APPROVED EQUAL
C	1 150W/A21	PENDANT	APPLETON LTG. FIXT. V-51 SERIES CAT. NO. VA1075G W/ALUMINUM GUARD CAT. NO. VGU-1 AND DOME CAT. NO. VRW-1 OR APPROVED EQUAL
D	1 50W/HPS/B-17	WALL	KIM SW SERIES WALL MOUNTED DOWNLIGHT W/LEXAN LENS CAT. NO. SWI-50HPS120-DB-P OR APPROVED EQUAL
E	2 13W/PL-C	WALL	APPLETON MERCMASTER III EMERGENCY BATTERY PACK LTG. FIXT. CAT. NO. KPWF26C2G2N12L W/3 WAY EXIT SIGN CAT. NO. CJEXRN OR APPROVED EQUAL
F	1 2.5W/LED	WALL	HOLOPHANE MAGELLAN LD LED EXIT SIGN W/NI-CAD BATTERY CAT. NO. MOTELNCWSRSC OR APPROVED EQUAL
G	2 PAR-36/12W/T	WALL	HOLOPHANE DE SOTO M50 INDUSTRIAL EMERGENCY LTG. FIXT. W/NI-CAD BATTERY CAT. NO. DM5N50TNO2 OR APPROVED EQUAL
H	2 PAR-36/12W/T	WALL	HOLOPHANE DE SOTO M70 HAZARDOUS AREA EMERGENCY LTG. FIXT. W/NI-CAD BATTERY CAT. NO. DM7N50TNE2 OR APPROVED EQUAL
J	1 175W/MH/ED28	PENDANT	APPLETON MERCMASTER III SERIES LTG. FIXT. WITH ENCLOSED GLOBE, GUARD AND SMART HOT RESTRIKE CAT. NO. KPAH1775G-MT-SR WITH STANDARD DOME CAT. NO. KR2ST OR APPROVED EQUAL
K	1 400W/HPS/S51	WALL	COOPER CROUSE-HINDS YOKE MOUNTED FMV CHAMP FLOODLIGHT CAT. NO. FMVSY400-MT-76 W/SLIPFITTER CAT. NO. SFA6, WALL BRACKET CAT. NO. SWB6 & 30" FLEXIBLE CONNECTION TYPE CGB
L	1 400W/HPS/S51	WALL	COOPER CROUSE-HINDS YOKE MOUNTED FMV CHAMP FLOODLIGHT CAT. NO. FMVSY400-MT-76 W/SLIPFITTER CAT. NO. SFA6
M	1 400W/HPS/S51	4" SQUARE POLE	RULD WEDGE LIGHT WAC SERIES W/TYPE IV OPTICS, PE CELL, BZ COLORED CAT. NO. WAC-2594-1P W/STL POLE CAT. NO. PS4530S-1-BZ

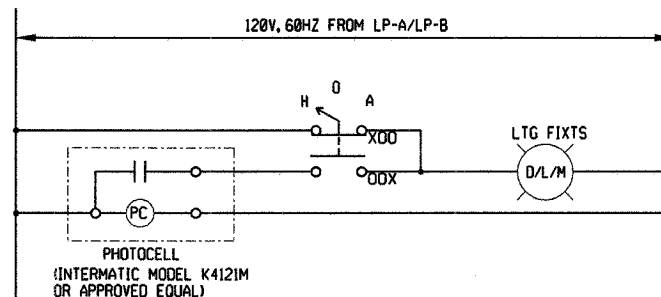
DATE	
BY	
REVISION	
NO.	
DESCRIPTION	
DATE	



**LIGHTING PANEL B (LP-B)**  
120/240V, 1Ø, 3W, 80A MB, S/N  
ELECTRICAL CONTROL ROOM



**TYPICAL PENDANT  
FIXTURE MOUNTING**  
(NOT TO SCALE)



**EXTERIOR/SITE LIGHTING  
CONTROL SCHEMATIC**

E27

REVISIONS	
NAME	DATE

ILLINOIS DEPARTMENT OF TRANSPORTATION  
**BOWMAN AVENUE PUMP STATION  
REHABILITATION**  
**LIGHTING PANEL & DETAILS**

SCALE: AS SHOWN  
DATE: 09-12-05

DRAWN BY: RRA  
CHECKED BY: KCC

PLOT DATE: \*DATE-TIME\*

**ALVORD, BURDICK & HOWSON, L.L.C.**  
ENGINEERS CHICAGO

\*DATE-TIME\*  
\*SPEC\*  
\*REF\*  
\*REV\*