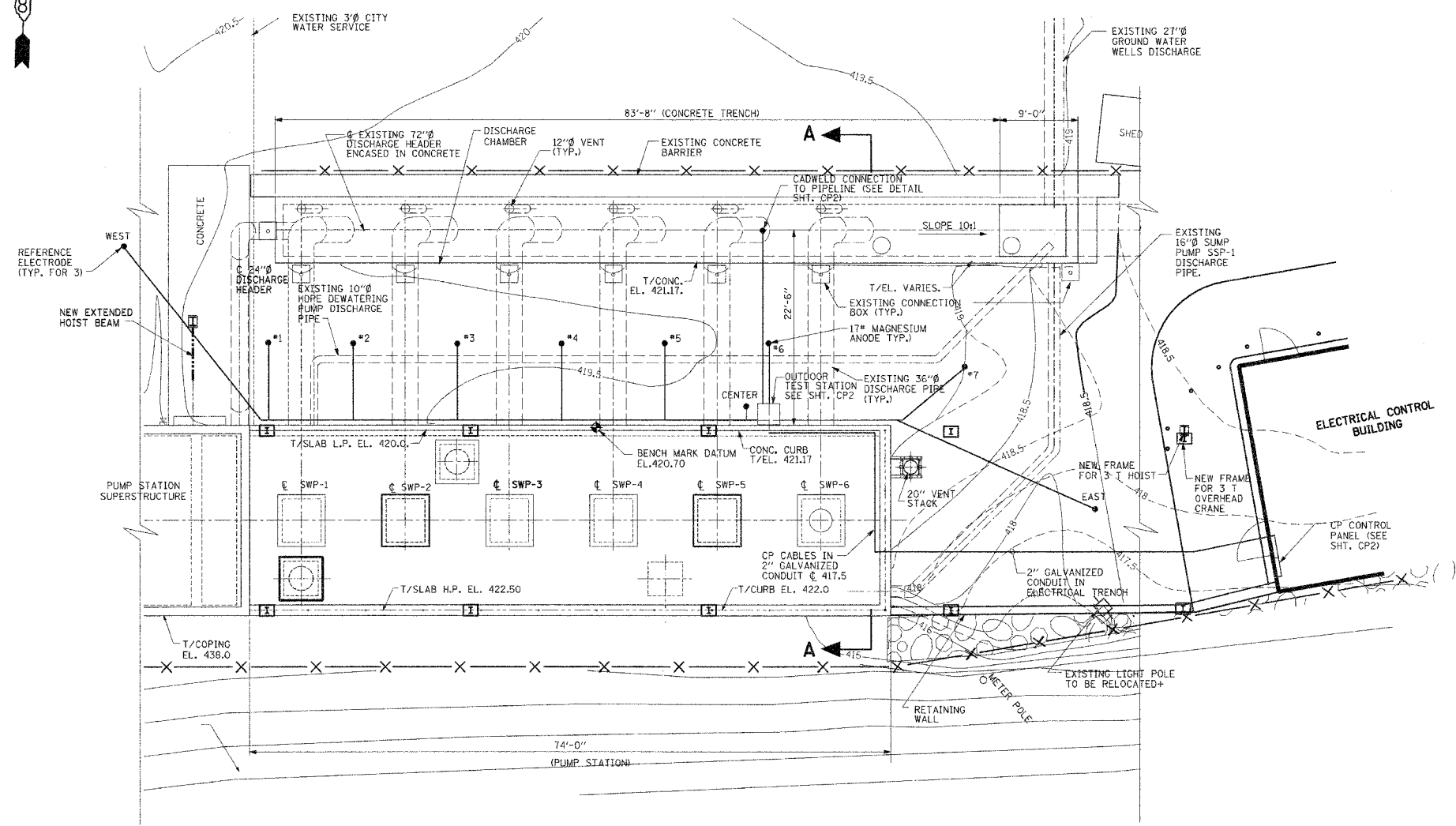


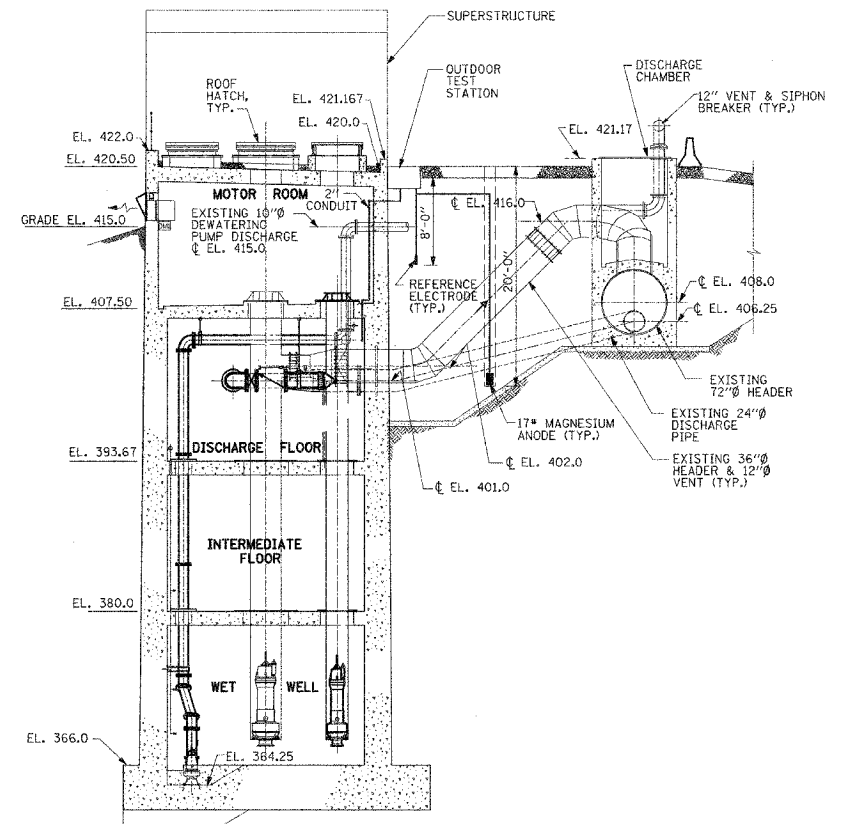
F.A.I. RTE.	SECTION	COUNTY	TOTAL SHEETS	SHEET NO.
70	82-(1,2)T-17	ST. CLAIR	77	76
FED. ROAD DIST. NO.		ILLINOIS FED. AID PROJECT		



DATE	
BY	
REVISION	
NO.	

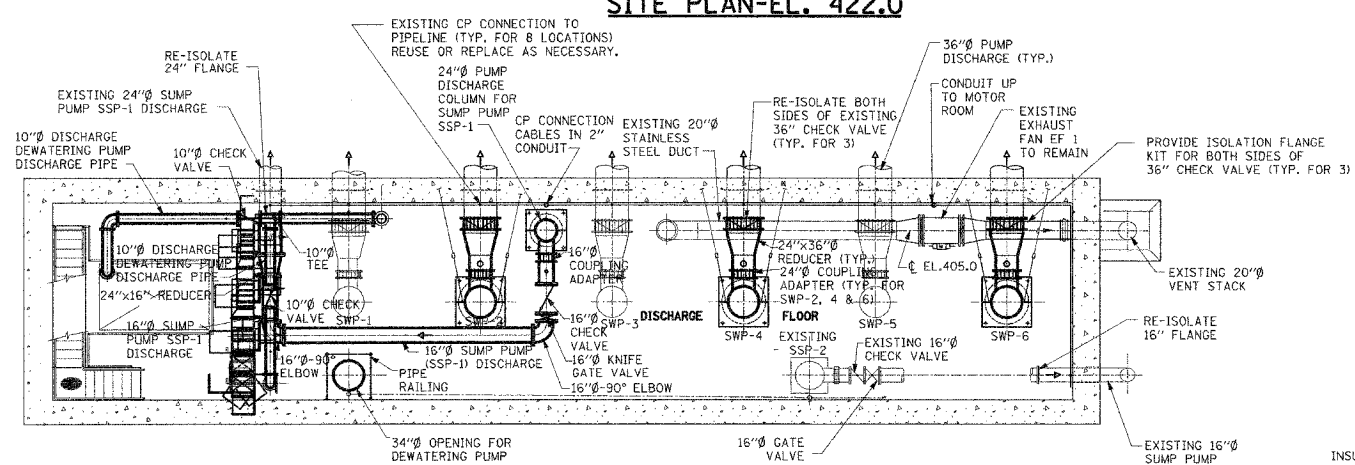


**SITE PLAN-EL. 422.0**

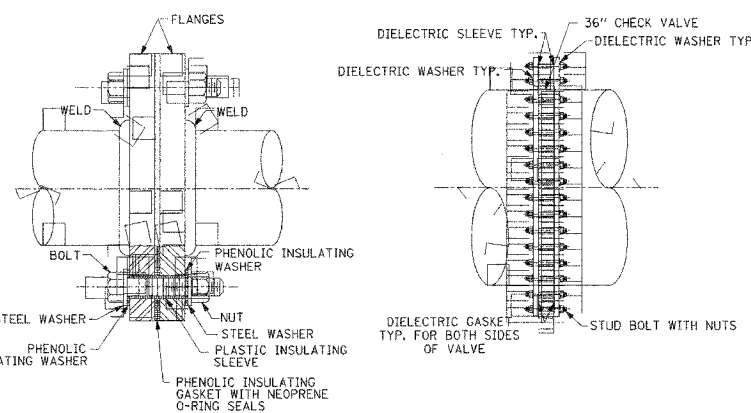


**SECTION A-A**

NOTE: LOCATE AND EXCAVATE TO TOP OF EXISTING CONNECTION BOXES, DISCONNECT ALL LEADS AND CUT OFF ANY EXPOSED COPPER. SEAL ALL WIRE ENDS, RETURN ALL LEADS TO BOX, CLOSE AND REBURY.

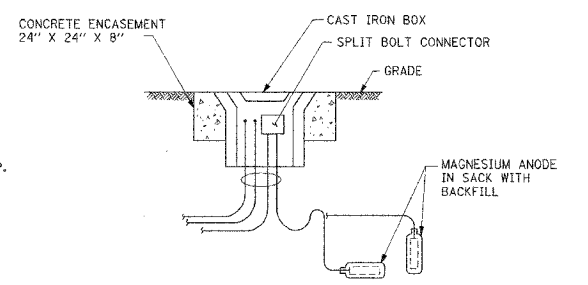


**PLAN @ EL. 393.67**



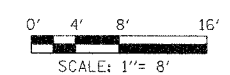
**METALLIC PIPE INSULATING FLANGES**

NO SCALE



**EXISTING CONNECTION BOX DETAIL**

NO SCALE



CP1

REVISIONS	
NAME	DATE

**ILLINOIS DEPARTMENT OF TRANSPORTATION**  
**BOWMAN AVENUE PUMP STATION**  
**REHABILITATION**  
**CATHODIC PROTECTION FOR**  
**PUMP DISCHARGE HEADERS**

SCALE: AS SHOWN  
DATE: 09-12-05

DRAWN BY: CTM  
CHECKED BY: KC

PLOT DATE: \*DATE-TIME\*