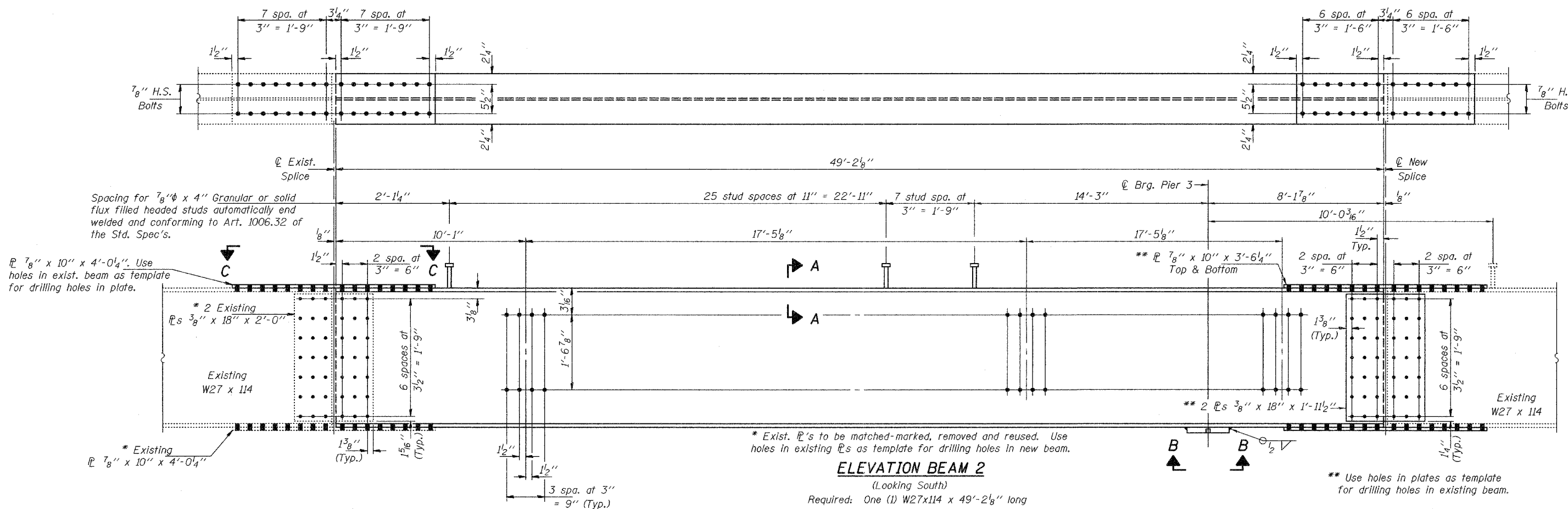


STATE OF ILLINOIS  
DEPARTMENT OF TRANSPORTATION

ROUTE NO.	SECTION	COUNTY	TOTAL SHEETS	SHEET	SHEET NO. 4
		MADISON	11	8	5 SHEETS
FED. ROAD DIST. NO. 7	ILLINOIS	FED. AID PROJECT:			

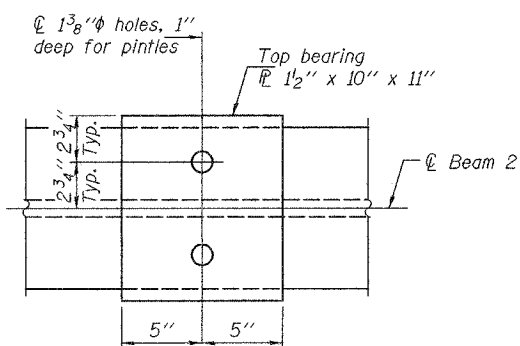
Contract Number: 76968



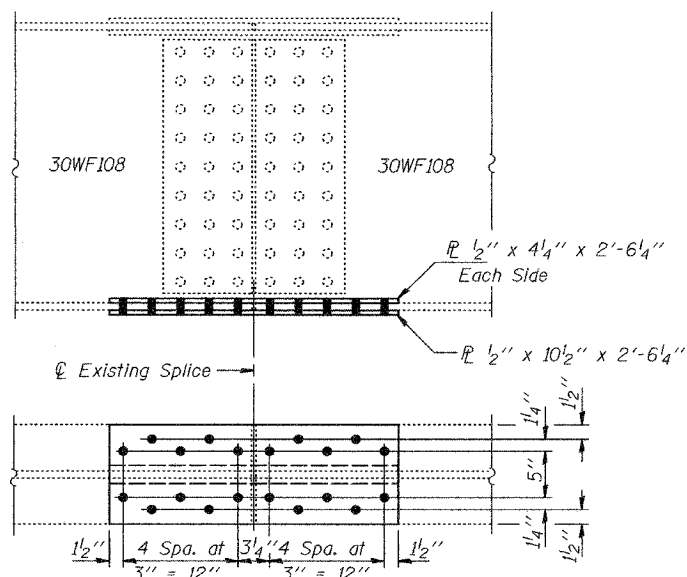
**ELEVATION BEAM 2**

(Looking South)

Required: One (1) W27x114 x 49'-2 1/8" long

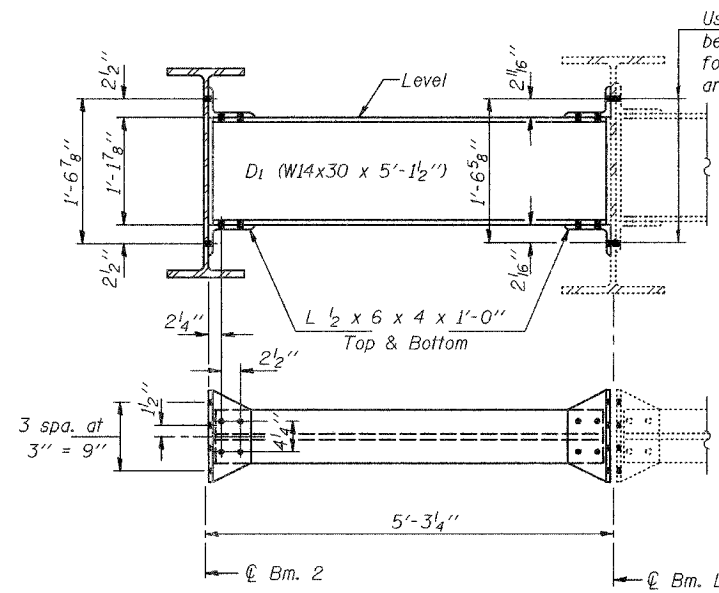


VIEW B-B



**REPAIR D  
BEAMS A, I & K**

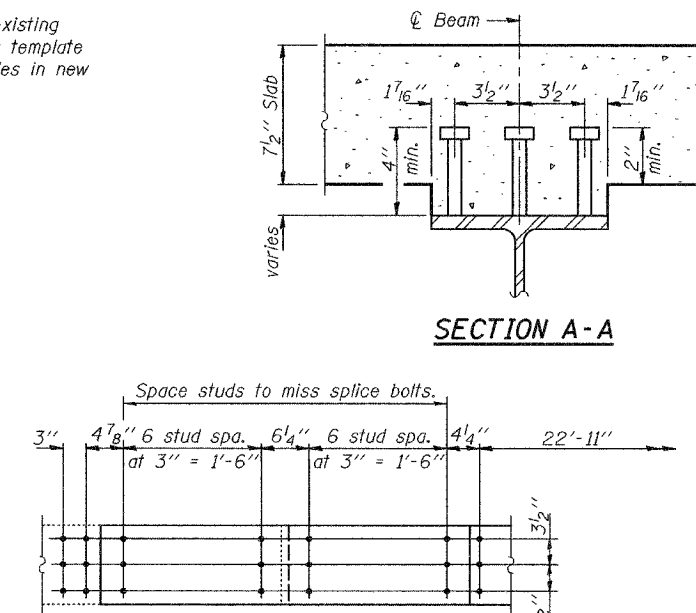
Notes:  
Natural camber of new beam shall be placed upward for fabrication.  
Fasteners shall be high strength bolts. Flange splice holes shall be 1 5/16" φ for 7/8" φ bolts. Web splice holes shall be 1 3/16" φ for 3/4" φ bolts.  
Diaphragm connection holes shall be 1 5/16" φ for 3/4" φ bolts. Two hardened washers shall be required at diaphragm connections.



**DIAPHRAGM D1 (W14 x 30)**

(Looking East)

Required: 1 - D1 Diaphragm Complete



SECTION A-A

VIEW C-C

DESIGNED	SJB	SEPTEMBER 29, 2005
CHECKED	ATH	EXAMINED
DRAWN	ballva	PASSED
CHECKED	SJB ATH	ENGINEER OF BRIDGES AND STRUCTURES

**REPAIR DETAILS**  
**ILL. RTE 162 OVER FAI RTE. 70**  
**MADISON COUNTY**  
**S.N. 060-0139**