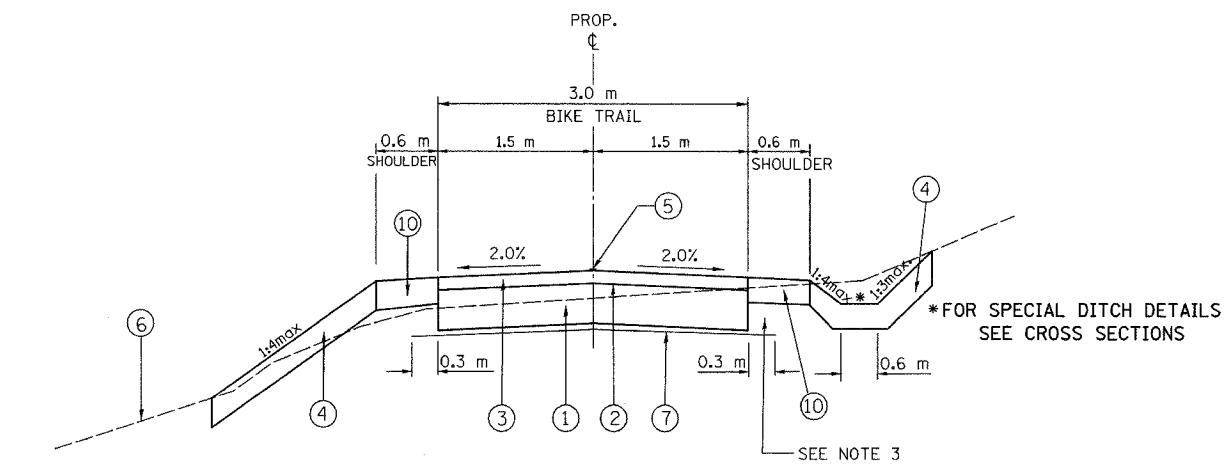


SECTION	COUNTY	TOTAL SHEETS	SHEET NO.
02-00034-00-BT	DUPAGE	108	6
STA. TO STA.			
IDOT PROJECT NO. M-8003(216)			
SALT CREEK GREENWAY TRAIL			

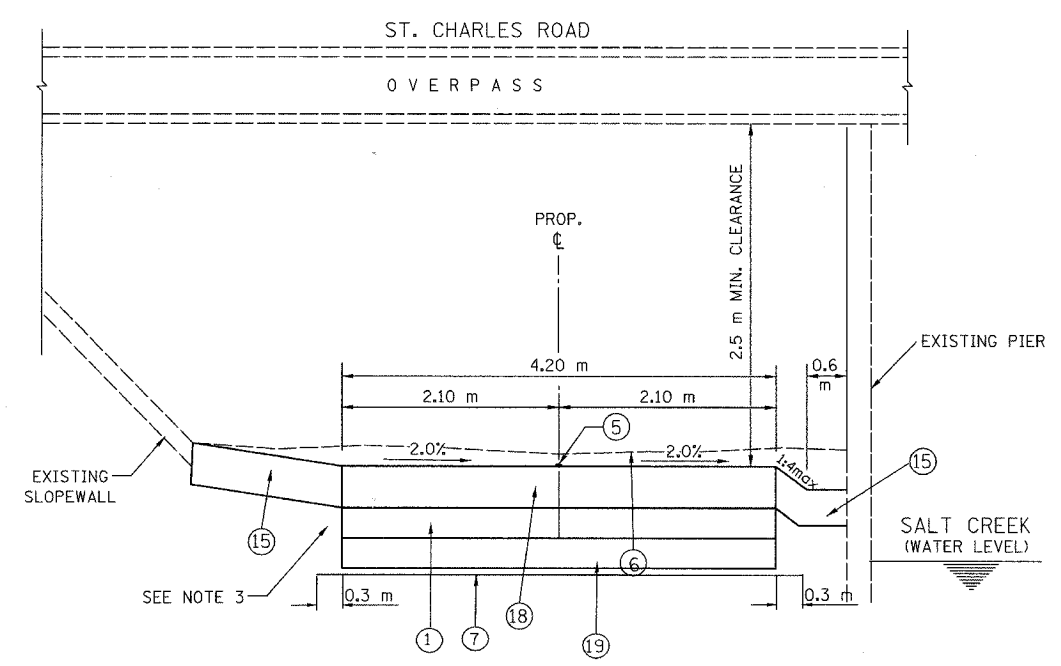


**PROPOSED TYPICAL SECTION**

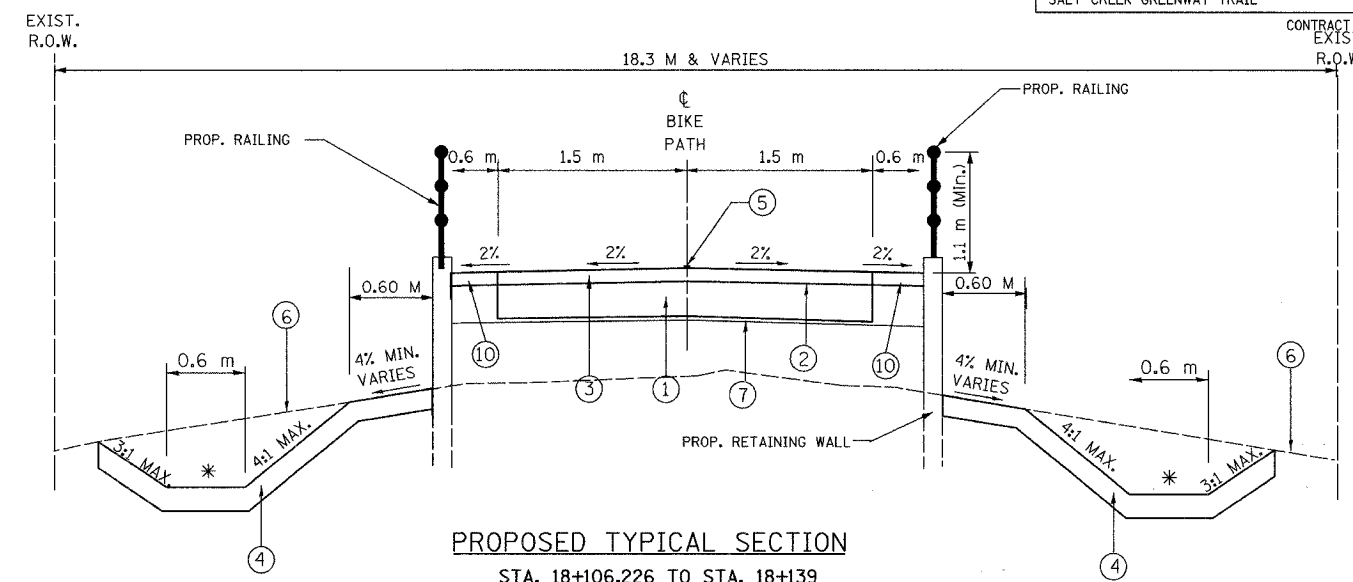
STA. 17+992.517 TO STA. 18+106.226  
 STA. 18+164 TO STA. 18+675  
 STA. 18+830.998 TO STA. 19+010  
 STA. 21+263 TO STA. 22+357  
 STA. 22+591 TO STA. 23+002  
 STA. 24+350 TO STA. 24+563.36  
 STA. 29+220 TO STA. 29+311.891

STA. 18+139 TO STA. 18+164 - PROPOSED BRIDGE  
 STA. 18+774 TO STA. 18+830.998 - PROPOSED BRIDGE  
 STA. 22+603.5 TO STA. 22+642 - PROPOSED BRIDGE  
 STA. 23+485.08 TO STA. 23+530.08 - PROPOSED BRIDGE

OMMISSIONS STA. 19+010 TO STA. 21+263 (ON-STREET & EXIST. TRAIL)  
 STA. 22+357 TO STA. 22+591 (EXIST. TRAIL)  
 STA. 23+002 TO STA. 23+200 (EXIST. TRAIL)  
 STA. 24+563.36 TO STA. 29+220 (EXIST. TRAIL & ON-STREET)



**PROPOSED TYPICAL SECTION**  
 STA. 18+696 TO STA. 18+727



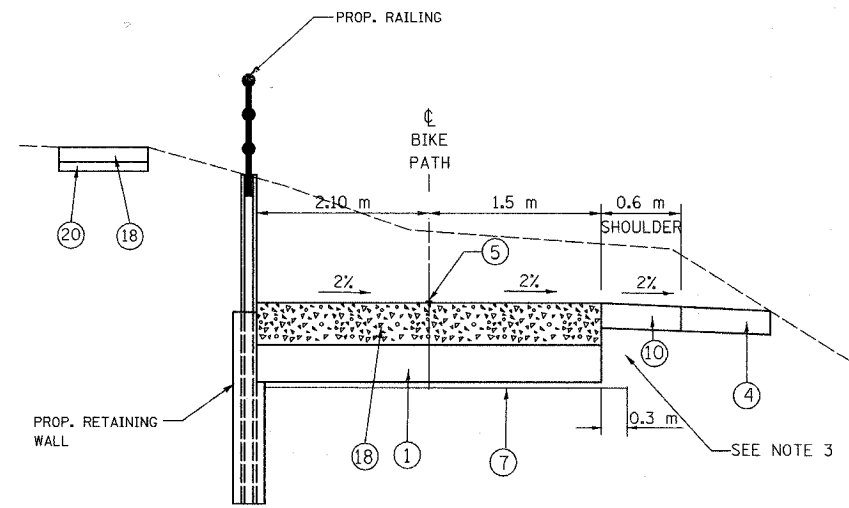
**PROPOSED TYPICAL SECTION**  
 STA. 18+106.226 TO STA. 18+139

- LEGEND:**
- ① AGGREGATE BASE COURSE, TYPE B, 150 mm
  - ② BITUMINOUS PRIME COAT
  - ③ BITUMINOUS CONCRETE SURFACE COURSE, SUPERPAVE MIX "C", N50, 50 mm
  - ④ 150 mm TOP SOIL AND SEEDING CLASS 4A
  - ⑤ PAINT PAVEMENT MARKING, 100 mm YELLOW
  - ⑥ EXISTING GROUND
  - ⑦ GEOTECHNICAL FABRIC FOR GROUND STABILIZATION
  - ⑩ 150 mm TOP SOIL AND SEEDING, CLASS 1 B
  - ⑮ 100 mm AGGREGATE SHOULDER, TYPE B
  - ⑱ P.C.C. SIDEWALK 150 mm
  - ⑲ P.G.E. SUBGRADE 300 mm
  - ⑳ AGGREGATE BASE COURSE, TYPE B, 100 mm

- NOTE 1:**  
 AT LOCATIONS OF UNSUITABLE MATERIAL, AS DETERMINED BY THE ENGINEER, THE SUBGRADE TREATMENT WILL CONSIST OF EXCAVATION OF UNSUITABLE MATERIAL TO A DEPTH 300 mm BELOW AGGREGATE BASE COURSE AND PLACEMENT OF 300 mm OF POROUS GRANULAR EMBANKMENT SUBGRADE AND A GEOTECHNICAL FABRIC FOR GROUND STABILIZATION.
- NOTE 2:**  
 THE CONTRACTOR SHALL CONSTRUCT THE PATH SO THAT THE CROSS SLOPE IS IN THE DIRECTION OF THE GROUND SLOPE WHERE SHEET FLOW ACROSS THE PATH WILL OCCUR. WHERE SHEET FLOW ACROSS THE PATH IS NOT A CONCERN DUE TO THE PRESENCE OF A SWALE ON THE UPSTREAM SIDE, THE CONTRACTOR SHALL SLOPE THE PATH OUT FROM THE CENTERLINE.
- NOTE 3:**  
 ADDITIONAL FILL MATERIAL TO BE PLACED ABOVE FABRIC IN CUT SECTIONS SHALL NOT BE MEASURED FOR PAYMENT. MATERIAL SHALL BE SUITABLE EMBANKMENT MATERIAL.
- NOTE 4:**  
 AT ALL INTERSECTIONS BIKE PATH AND STREETS/DRIVEWAYS DEPRESS THE CURB (IF APPLICABLE) AND KEEP EXISTING PAVEMENT ELEVATIONS.

ITEM	AC TYPE	VOIDS	RAP %	USAGE
BITUMINOUS CONCRETE SURFACE COURSE, SUPERPAVE, MIX. C, N50	PG 64-22	4% @ 50 GYR	15%	BIKE PATH SURFACE

DESIGNER USED UNIT WEIGHT 112 LBS/SQ YD/IN (2.39 KG/SM/MM) FOR CALCULATION PURPOSES



**PROPOSED TYPICAL SECTION**  
 STA. 18+675 TO STA. 18+696  
 STA. 18+727 TO STA. 18+774

REVISIONS		
NO.	NAME	DATE

**URS** 1701 GOLF ROAD, SUITE 1000 TEL (847) 228-0707  
 ROLLING MEADOWS, IL 60008 FAX (847) 228-1115

VILLAGE OF OAK BROOK  
**SALT CREEK GREENWAY TRAIL**  
 TYPICAL SECTIONS

DATE: 7/20/05 DRAWN BY: MIA&VP  
 DESIGNED BY: MIA CHECKED BY: DDL