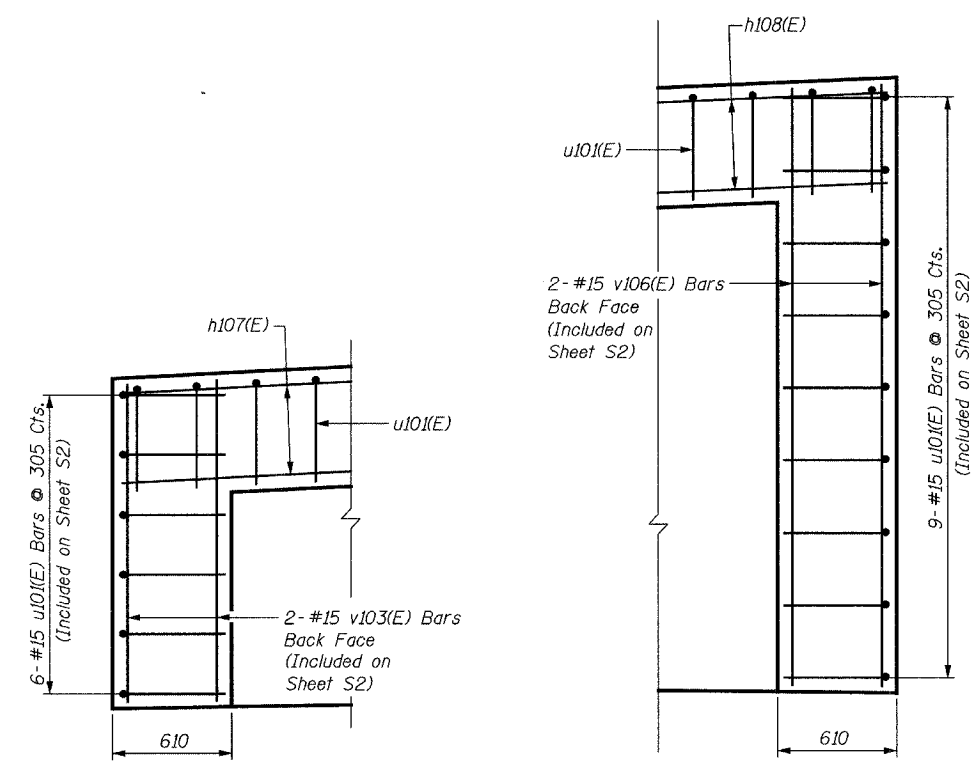
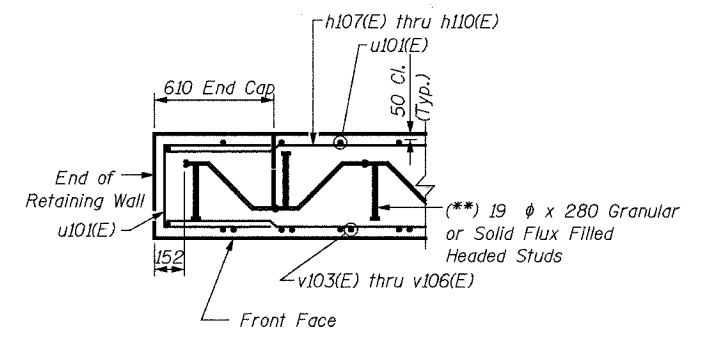


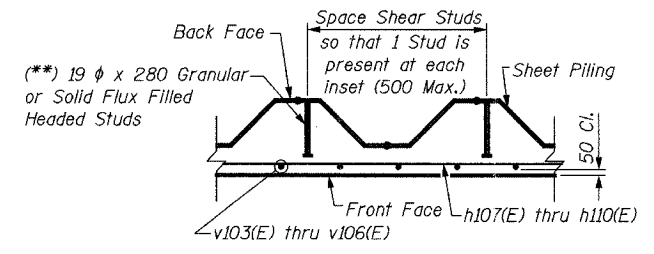
TYPICAL SECTION THRU WALL
(Sta. 18+106.226 to Sta. 18+138)



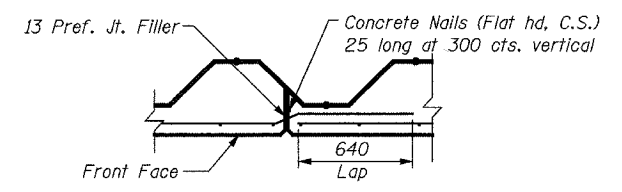
NORTH END **SOUTH END**
END CAP WALL DETAILS
(East Wall, West Wall Similar)



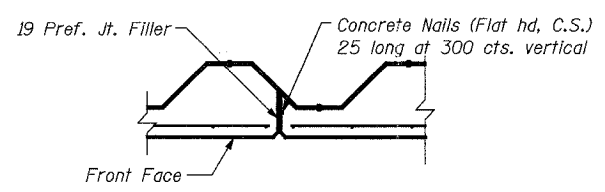
SECTION THRU CAP



TYPICAL SECTION THRU WALL



CONSTRUCTION JOINT DETAILS



EXPANSION JOINT DETAILS

() NOTE:**
Shear Studs shall be 19 dia. x 208 Granular or Solid Flux Filled Headed Studs conforming to 505.08 (m) of the Standard Specifications automatically end welded in the field to Sheet Piling. The cost of the studs is included in the cost of PERMANENT STEEL SHEET PILING.

NOTES:
See Sheet S2 for notes.

SHEET S3 of S33

REVISIONS		NAME	DATE	URS 1701 GOLF ROAD, SUITE 1000 ROLLING MEADOWS, IL 60008 TEL (847) 228-0707 FAX (847) 228-1115
NO.	DESCRIPTION			
				VILLAGE OF OAKBROOK SALT CREEK GREENWAY TRAIL RET. WALL STA. 18+106 TO 18+138 DETAILS
				DATE: 06/30/05 DESIGNED BY: MDS
				DRAWN BY: MDS CHECKED BY: GAT