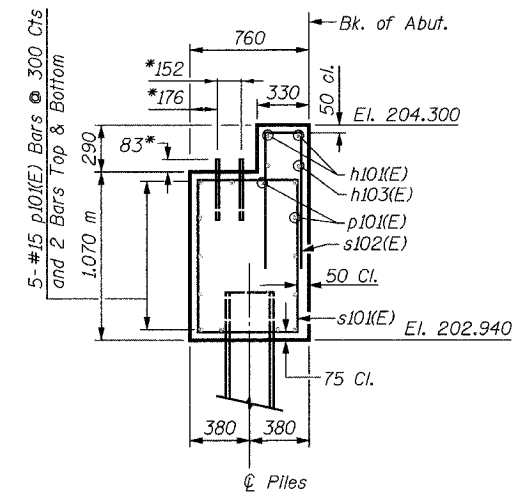


**ABUTMENT ELEVATION**



**SECTION A-A**

\* Anchor bolt size and locations shall be checked against the bridge fabricator's requirements prior to setting them.

**BILL OF MATERIAL**

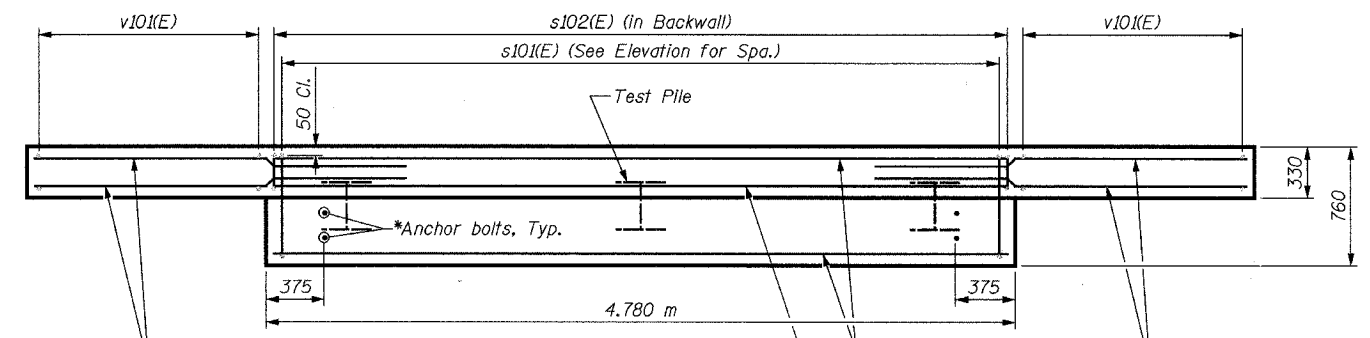
Bar	No.	Size	Length	Shape
h101(E)	2	#15	7.81 m	—
h102(E)	20	#15	2.42 m	—
h103(E)	2	#15	6.35 m	—
p101(E)	14	#15	4.68 m	—
s101(E)	16	#15	3.48 m	□
s102(E)	16	#15	2.49 m	□
v101(E)	12	#15	2.14 m	—
Concrete Structures		Cu. M	5.5	
Reinforcement Bars, Epoxy Coated		kg	420	
Furnishing Steel Piles HP310x79		Meter	20	
Driving Steel Piles		Meter	20	
Test Pile Steel HP310x79		Each	1	
Metal Shoes		Each	2	
Structure Excavation		Cu. M	13	

**LEGEND**

E.F. = Each Face

**MIN. BAR LAP**

#15 = 890

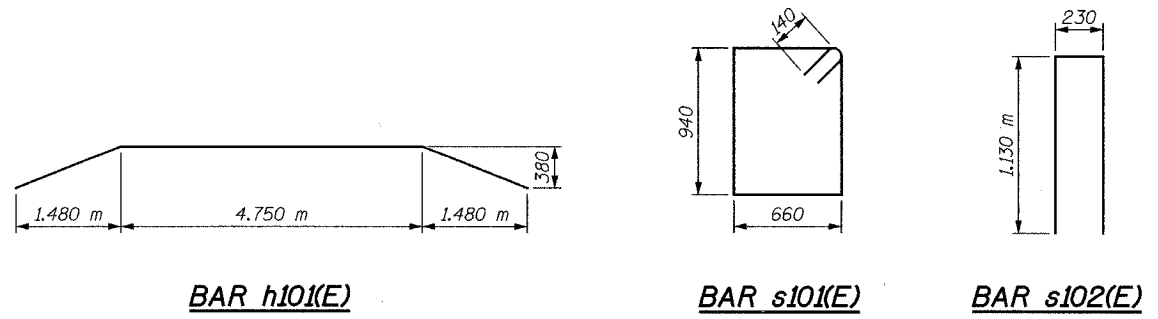


**ABUTMENT PLAN**

**NOTES:**

- Space reinforcement in cap to miss anchor bolts.
- All edges shall have standard 20 mm chamfers except as noted.
- For Anchor Bolt Details, see Sheet S32.
- There shall be no splicing of longitudinal bars. Bars shall be ordered full length.
- Bars designated (E) shall be epoxy coated.

SHEET S5 of S33



**PILE DATA:**

Type: HP310x79  
 Capacity: Driven to Refusal  
 Est. Length: 10 m  
 No. Required: 2 + 1 Test Pile  
 (Test pile shall be a permanent pile driven at the South Abutment)

REVISIONS		NAME	DATE
NO.	DESCRIPTION		

**URS** 1701 GOLF ROAD, SUITE 1000 TEL (847) 228-0707  
 ROLLING MEADOWS, IL 60008 FAX (847) 228-1115

VILLAGE OF OAKBROOK  
 SALT CREEK GREENWAY TRAIL  
 PEDESTRIAN BRIDGE, STA. 18+151.5  
 SOUTH ABUTMENT DETAILS

DATE: 06/30/05	DRAWN BY: MDS
DESIGNED BY: MDS	CHECKED BY: GAT