

BILL OF MATERIAL

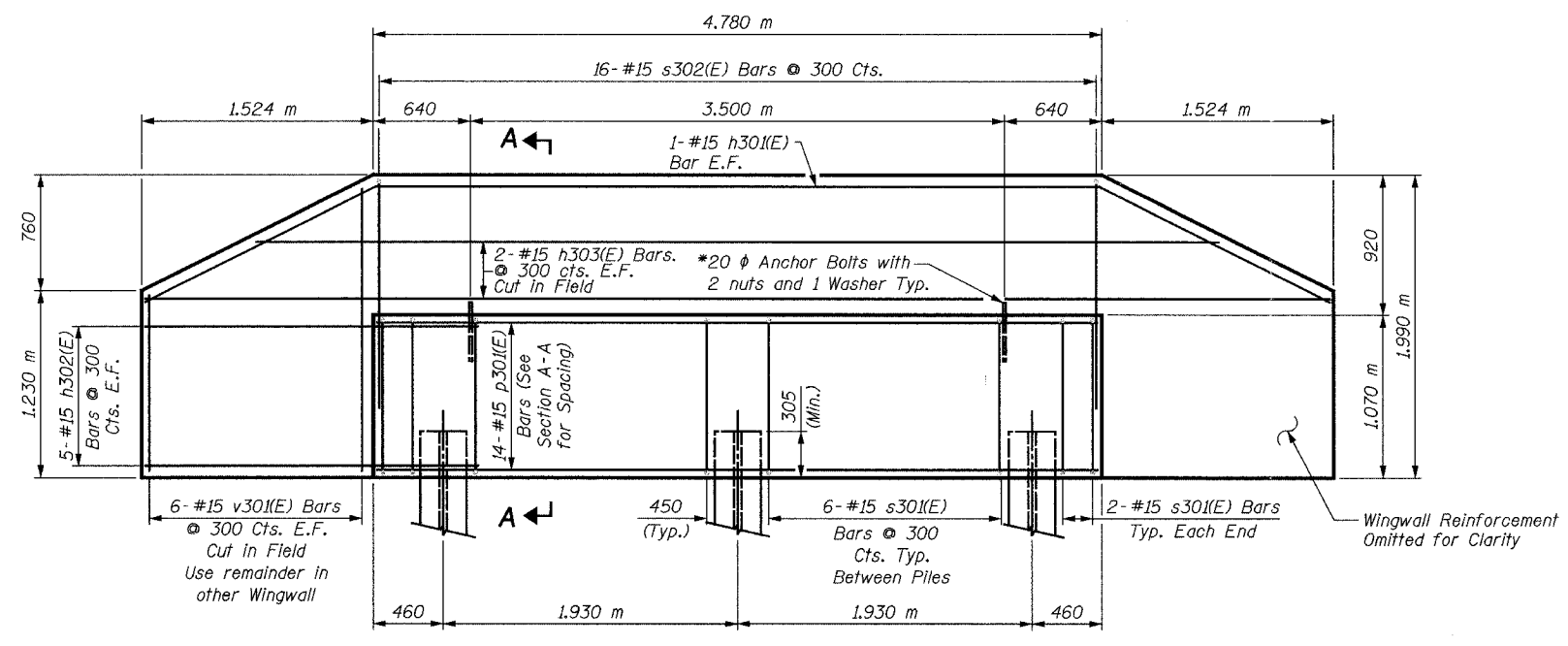
Bar	No.	Size	Length	Shape
h301(E)	4	#15	8.08 m	
h302(E)	40	#15	2.42 m	
h303(E)	8	#15	7.72 m	
p301(E)	28	#15	4.68 m	
s301(E)	32	#15	3.48 m	
s302(E)	32	#15	3.75 m	
v301(E)	24	#15	3.02 m	
Concrete Structures			Cu. M	13.9
Reinforcement Bars, Epoxy Coated			kg	990
Furnishing Steel Piles HP310x79			Meter	100
Driving Steel Piles			Meter	100
Test Pile Steel HP310x79			Each	1
Metal Shoes			Each	5
Structure Excavation			Cu. M	42

LEGEND

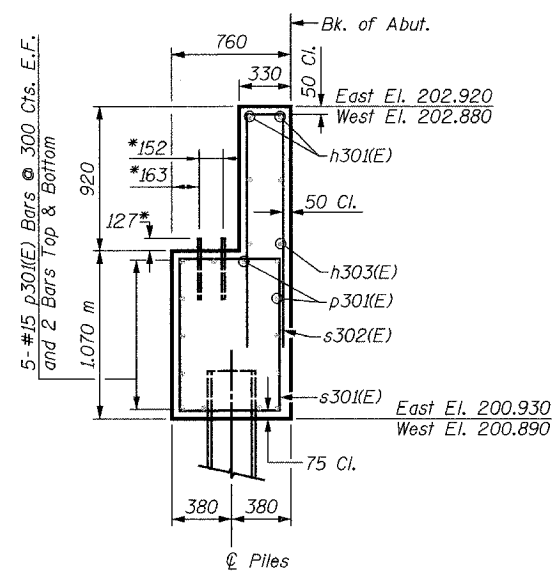
E.F. = Each Face

MIN. BAR LAP

#15 = 890

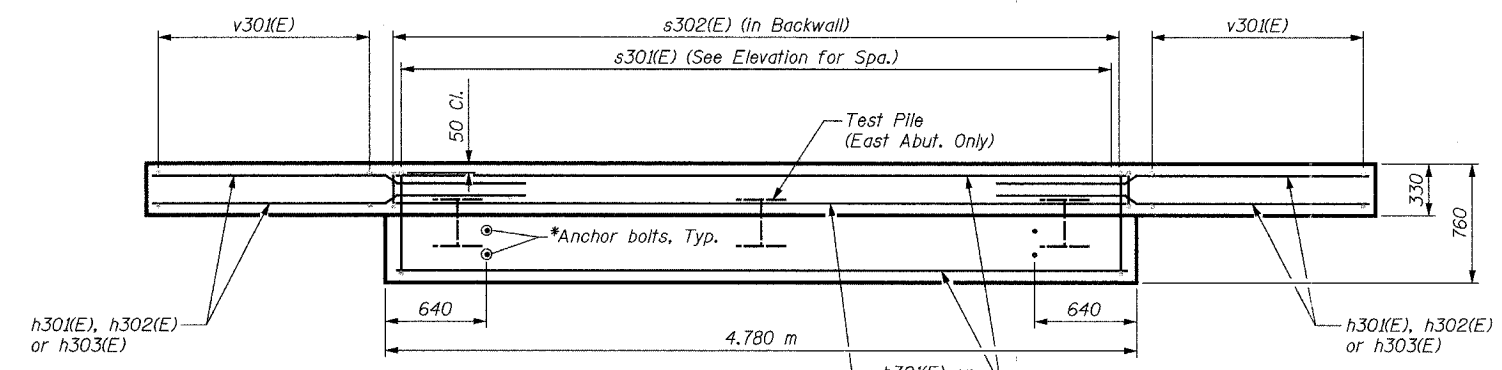


ELEVATION

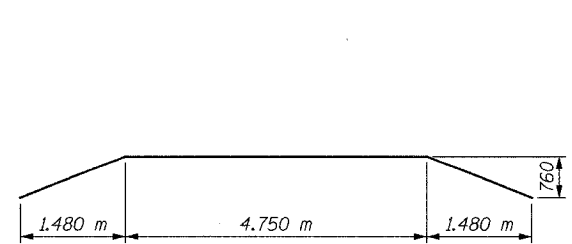


SECTION A-A

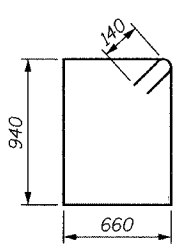
* Anchor bolt size and locations shall be checked against the bridge fabricator's requirements prior to setting them.



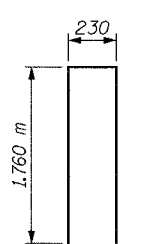
PLAN



BAR h301(E)



BAR s301(E)



BAR s302(E)

PILE DATA:

Type: HP310x79
 Capacity: Driven to Refusal
 Est. Length: 20 m (E. Abut)
 20 m (W. Abut)
 No. Required: 2 + 1 Test Pile (E. Abut)
 3 (W. Abut)

(Test Pile shall be a permanent pile driven at the East Abutment)

NOTES:

- Space reinforcement in cap to miss anchor bolts.
- All edges shall have standard 20 mm chamfers except as noted.
- For Anchor Bolt Details, see Sheet S32.
- There shall be no splicing of longitudinal bars. Bars shall be ordered full length.
- Bars designated (E) shall be epoxy coated.

SHEET S16 of S33

REVISIONS		NAME	DATE
NO.	DESCRIPTION		

1701 GOLF ROAD, SUITE 1000
 ROLLING MEADOWS, IL 60008
 TEL (847) 228-0707
 FAX (847) 228-1115

VILLAGE OF OAKBROOK
SALT CREEK GREENWAY TRAIL
PEDESTRIAN BRIDGE, STA. 22+622.75
ABUTMENT DETAILS

DATE: 06/30/05
DESIGNED BY: MDS

DRAWN BY: MDS
CHECKED BY: GAT