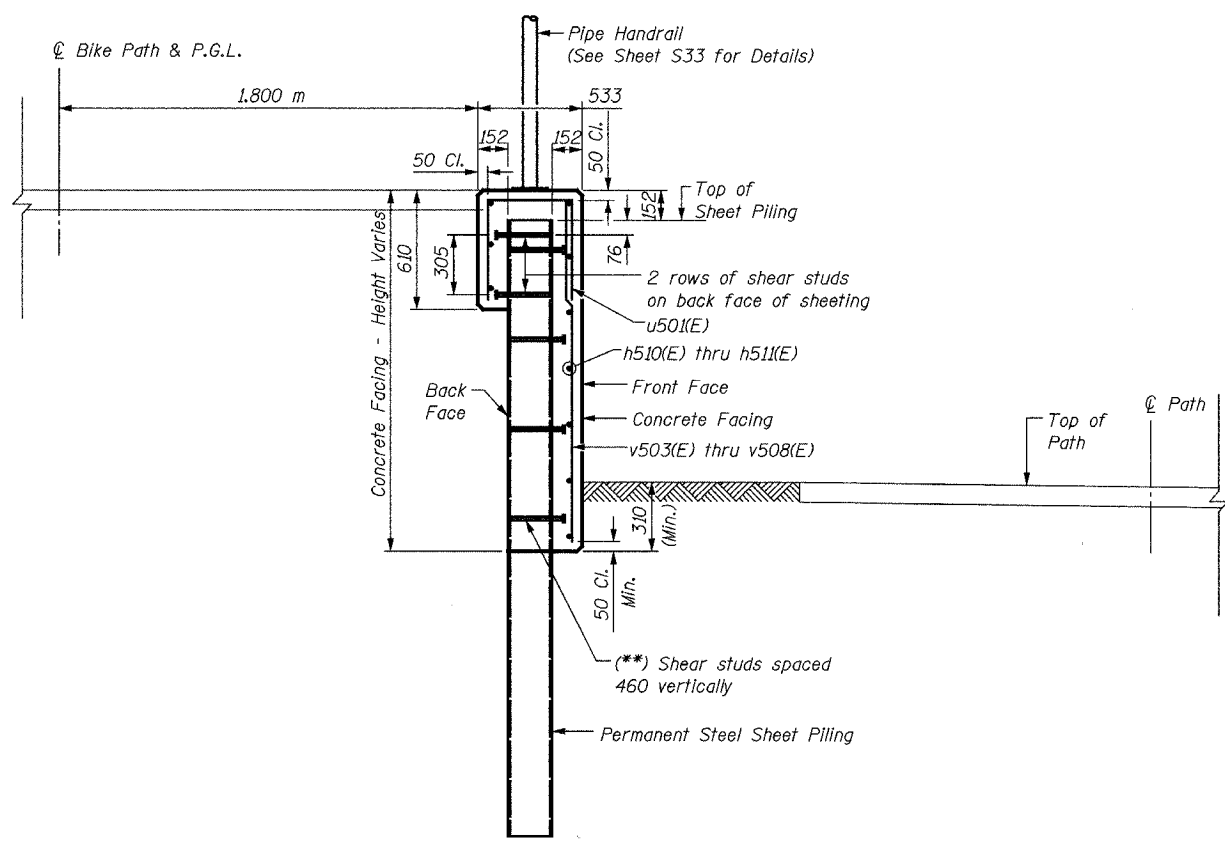
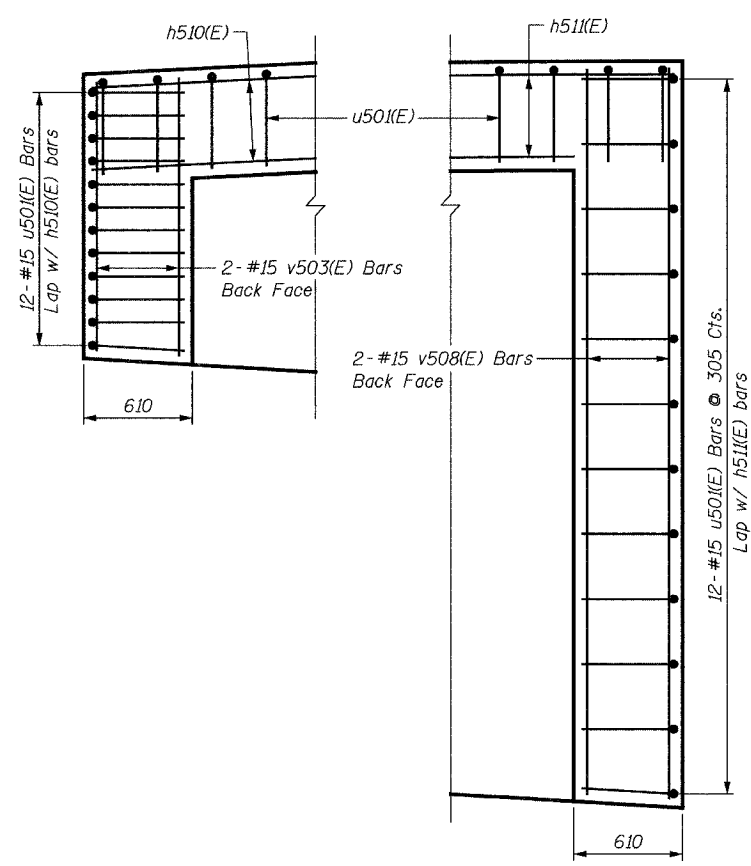


BILL OF MATERIAL

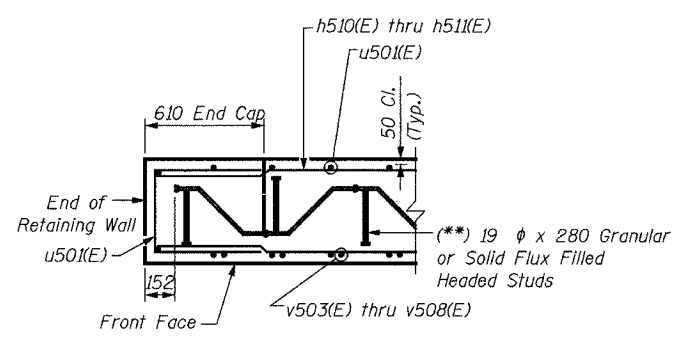
Bar	No.	Size	Length	Shape
h510(E)	15	#15	8.90 m	—
h511(E)	30	#15	9.64 m	—
u501(E)	114	#15	1.45 m	⊏
v503(E)	17	#15	1.28 m	—
v504(E)	15	#15	1.75 m	—
v505(E)	15	#15	2.26 m	—
v506(E)	15	#15	2.77 m	—
v507(E)	15	#15	3.09 m	—
v508(E)	17	#15	3.41 m	—
Concrete Structures		Cu. M	20.8	
Reinforcement Bars, Epoxy Coated		kg	1,290	
Structure Excavation		Cu. M	15.2	
Permanent Steel Sheet Piling		Sq. M	175	
Pipe Handrail		Meter	27	



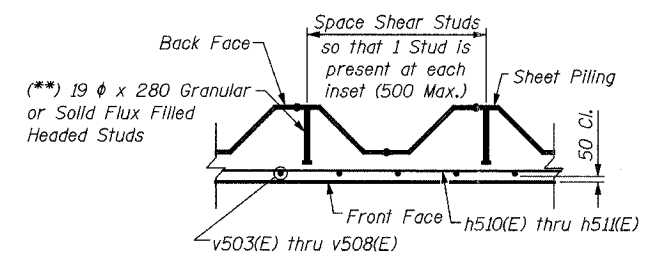
SECTION THRU WALL "D"
(Section Sta. 23+458 to Sta. 23+485.08)



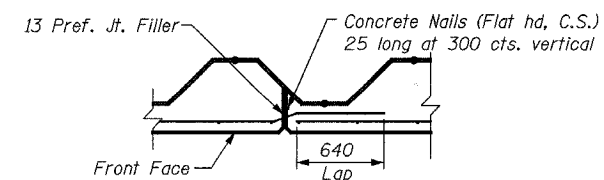
WEST END EAST END
END CAP WALL DETAILS - WALL "D"



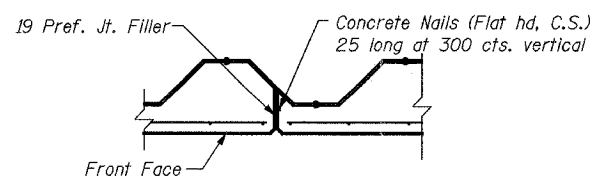
SECTION THRU CAP



TYPICAL SECTION THRU WALL



CONSTRUCTION JOINT DETAIL



EXPANSION JOINT DETAIL

NOTES:

- Fan h(E) bars for even distribution over face of wall.
- Cut v(E) bars as necessary in field to fit.
- Minimum lap for #15 bar = 640 mm.
- All exposed edges of concrete shall have a 20 mm chamfer unless shown otherwise.
- For minimum effective section modulus properties for sheet piling sections, refer to special provision for Permanent Steel Sheet Piling.
- Work this sheet with Sheet S28.
- Bars designated (E) shall be epoxy coated.
- All dimensions are in millimeters (mm) unless otherwise noted.
- For Plan and Elevation of Wall "D", see Sheet S28.

() NOTE:**

Shear Studs shall be 19 dia. x 208 Granular or Solid Flux Filled Headed Studs conforming to 505.08 (m) of the Standard Specifications, automatically end welded in the field to Sheet Piling. The cost of the studs is included in the cost of PERMANENT STEEL SHEET PILING.

SHEET S29 of S33

REVISIONS		NAME	DATE

URS 1701 GOLF ROAD, SUITE 1000 TEL (847) 228-0707
ROLLING MEADOWS, IL 60008 FAX (847) 228-1115

VILLAGE OF OAKBROOK
SALT CREEK GREENWAY TRAIL
RETAINING WALL "D"
DETAILS

DATE: 06/30/05
DESIGNED BY: MDS
DRAWN BY: MDS
CHECKED BY: GAT