

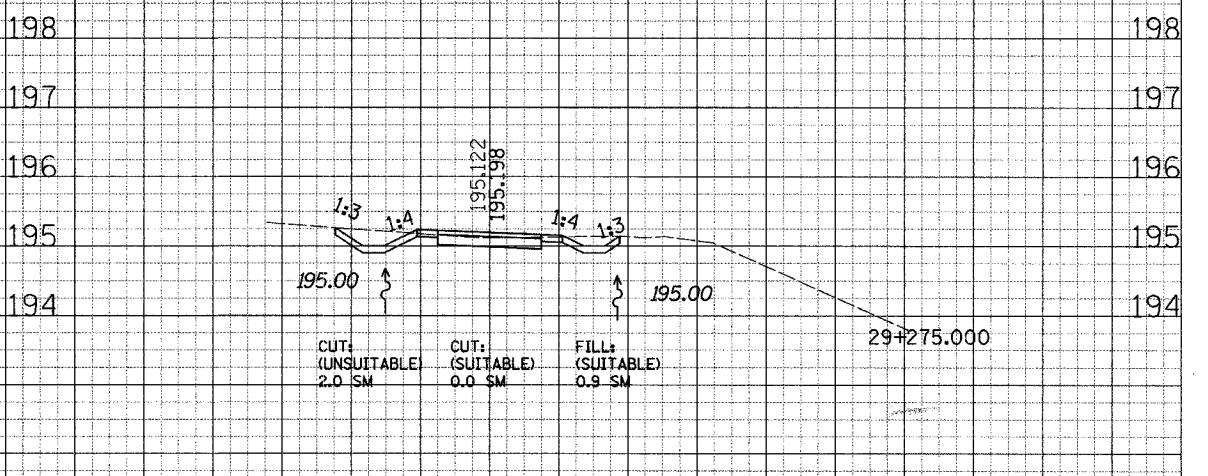
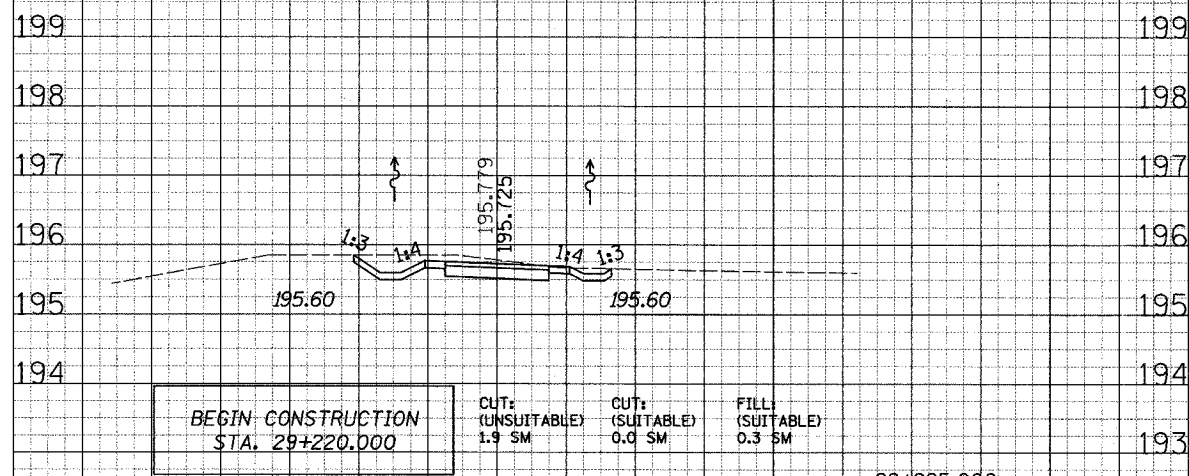
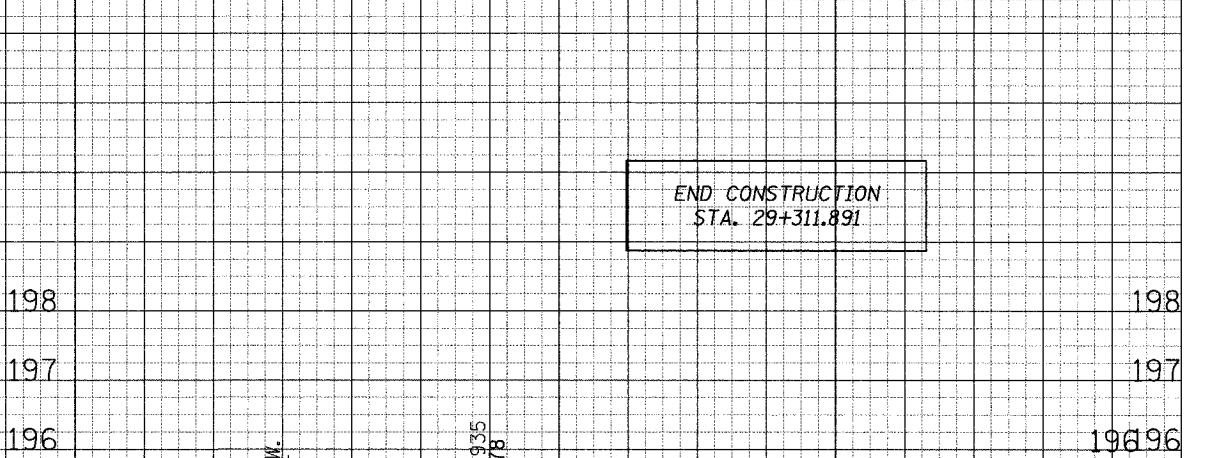
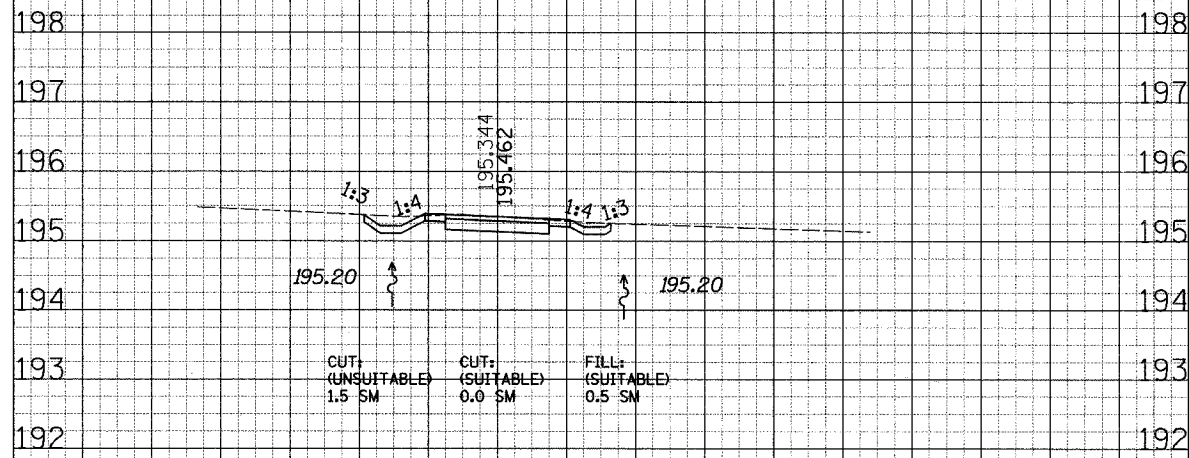
10 8 6 4 2 0 2 4 6 8 10 12 14 16 18

10 8 6 4 2 0 2 4 6 8

F.A. RTE.	SECTION	COUNTY	TOTAL SHEETS	SHEET NO.
	02-00034-00-BT	DUPAGE	108	108
STA.	TO STA.			
FED. ROAD DIST. NO.	ILLINOIS	FED. AID PROJECT		
		CONTRACT NO.	83714	

BY _____ DATE _____
 SURVEYED _____
 PLOTTED _____
 CHECKED _____
 NOTE BOOK _____
 AREAS CHECKED _____

BY _____ DATE _____
 SURVEYED _____
 PLOTTED _____
 CHECKED _____
 NOTE BOOK _____
 AREAS CHECKED _____



10 8 6 4 2 0 2 4 6 8 10 12 14 16 18

10 8 6 4 2 0 2 4 6 8 10 12 14 16 18