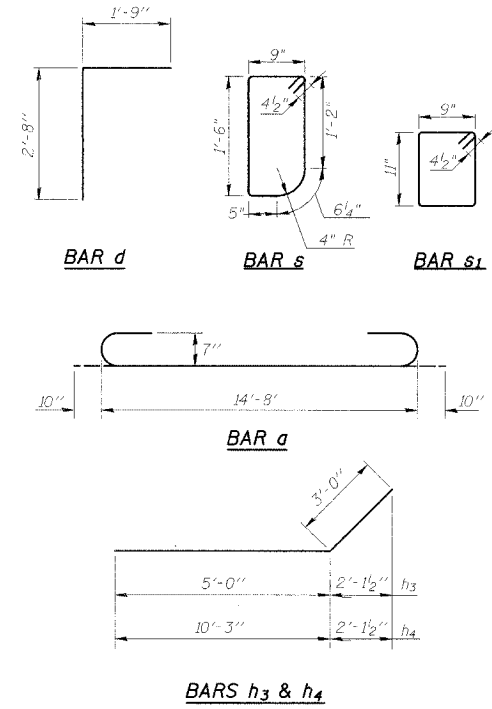
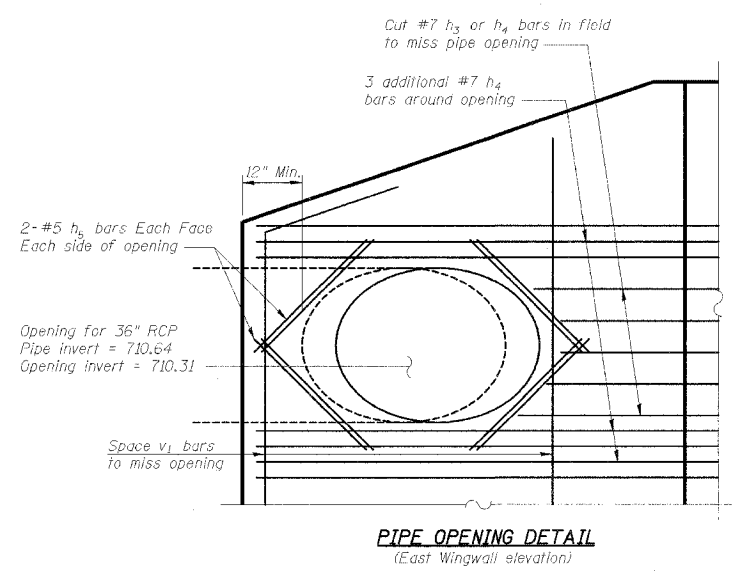
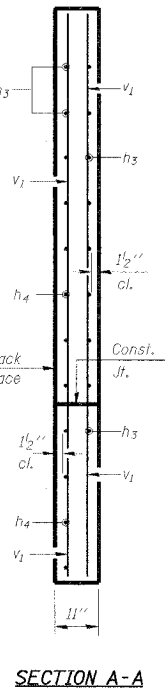
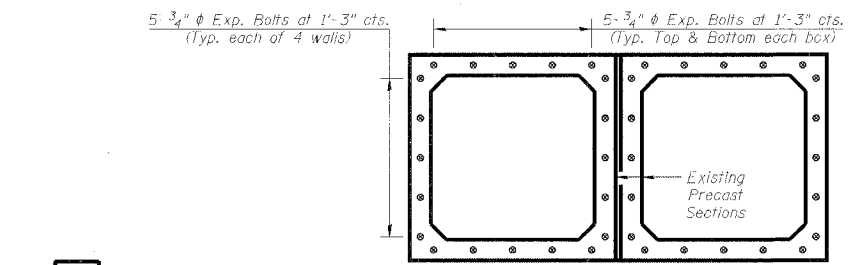
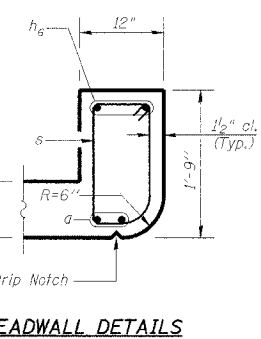
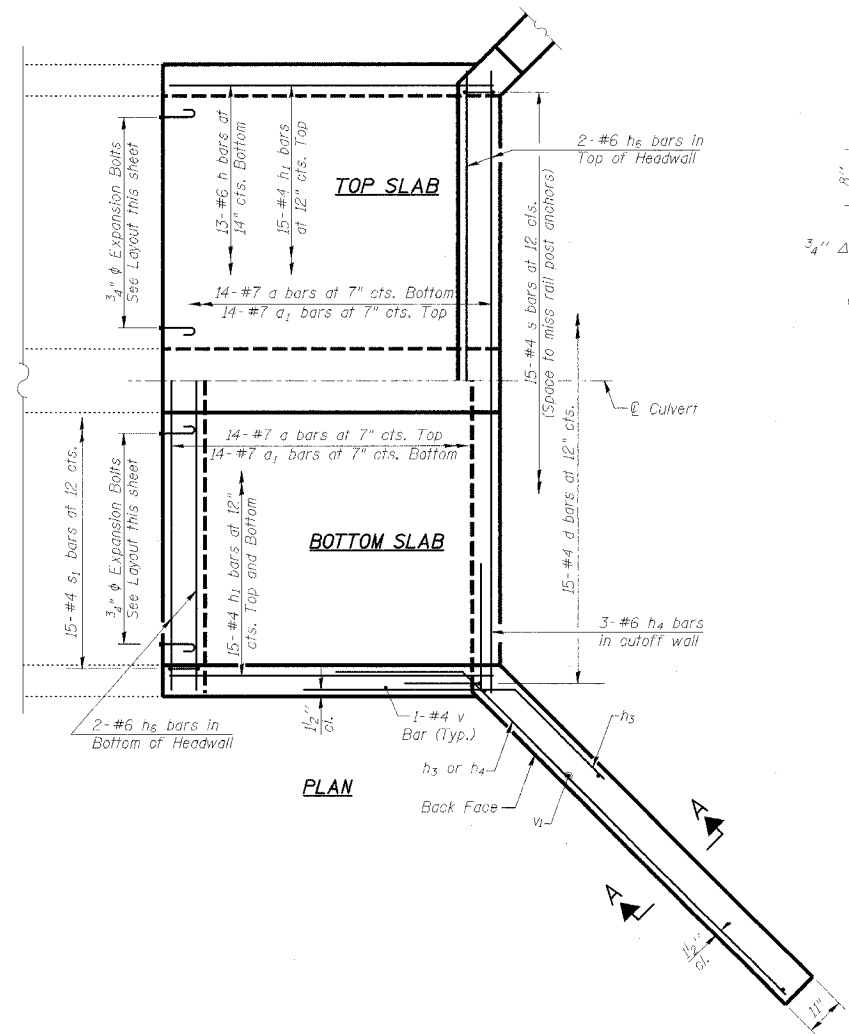
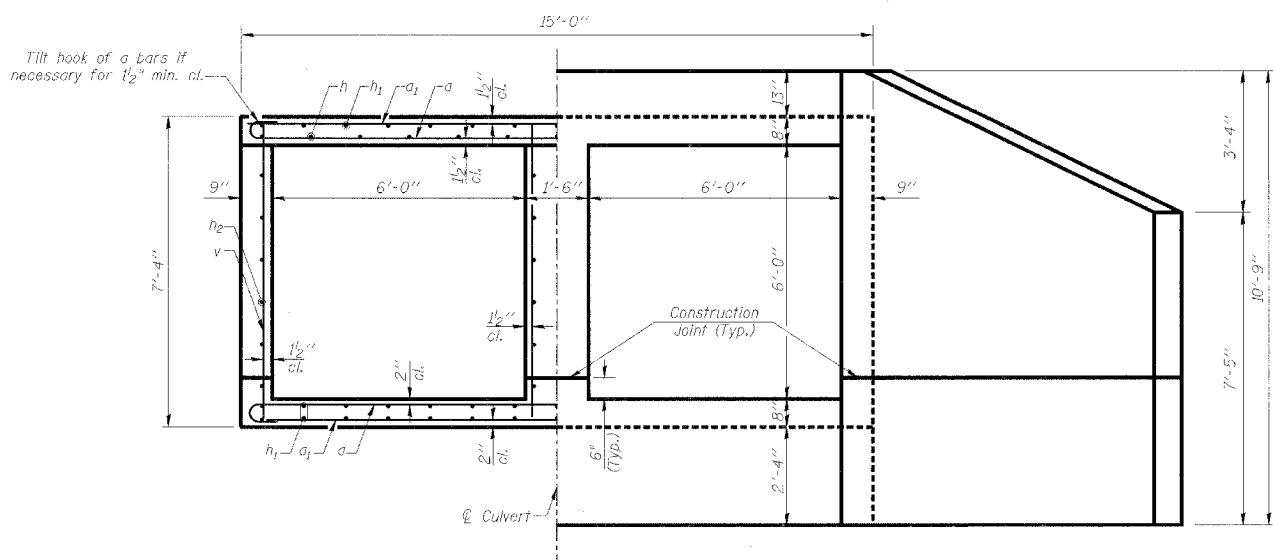
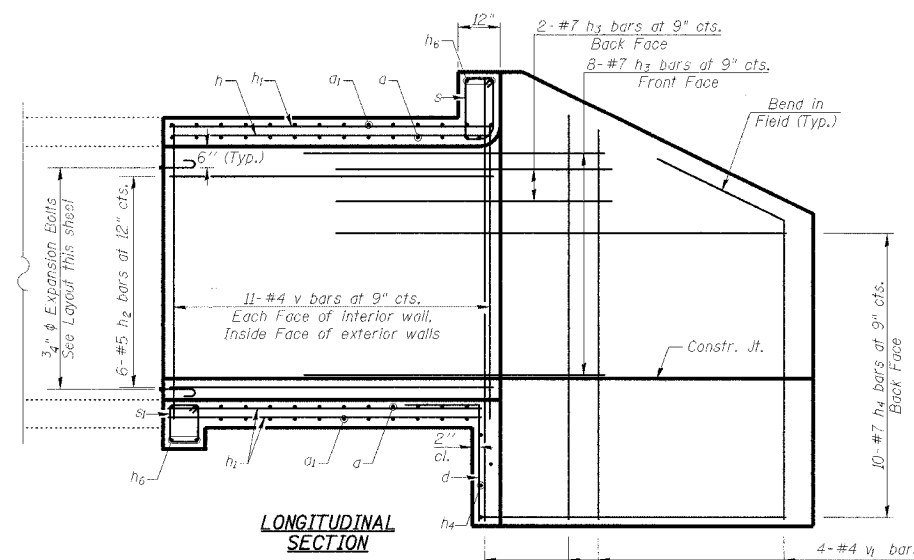


COUNTY HIGHWAY	FISCAL YEAR	TOTAL SHEETS	SHEET NO.
	2005	30	28
SEC 03-00001-06-BT		DUPAGE COUNTY	

CONTRACT NO.: 83805



BILL OF MATERIAL

Bar	No.	Size	Length	Shape
a	28	#7	16'-4"	U
a1	28	#7	14'-8"	—
d	15	#4	4'-5"	L
h	13	#6	7'-9"	—
h1	45	#4	7'-9"	—
h2	24	#5	7'-9"	—
h3	20	#7	8'-0"	—
h4	23	#7	13'-3"	—
h5	8	#5	3'-9"	—
h6	4	#6	14'-7"	—
s	15	#4	5'-1"	D
s1	15	#4	4'-1"	D
v	46	#4	7'-0"	—
v1	8	#4	10'-6"	—
Concrete Box Culverts			Cu. Yd.	19.2
Reinforcement Bars			Pound	3830
Expansion Bolts 3/4 Inch			Each	40

6/10/2005 7:44:56 AM K:\1950001\culvert\culvert.dwg

NO.	DATE	BY	REVISION	NO.	DATE	BY	REVISION

SCALE	N/A
DRAWN BY	LCM
CHECKED BY	WV
APPROVED BY	



RJN GROUP, INC.
CONSULTING ENGINEERS

PROJECT
Southern DuPage County Regional Trail
101st Street Connector - Waterfall Glen Spur

TITLE
CULVERT EXTENSION DETAILS

DATE: JUNE 9, 2005
PROJECT No: II-1900-01
SHEET: 2 of 3