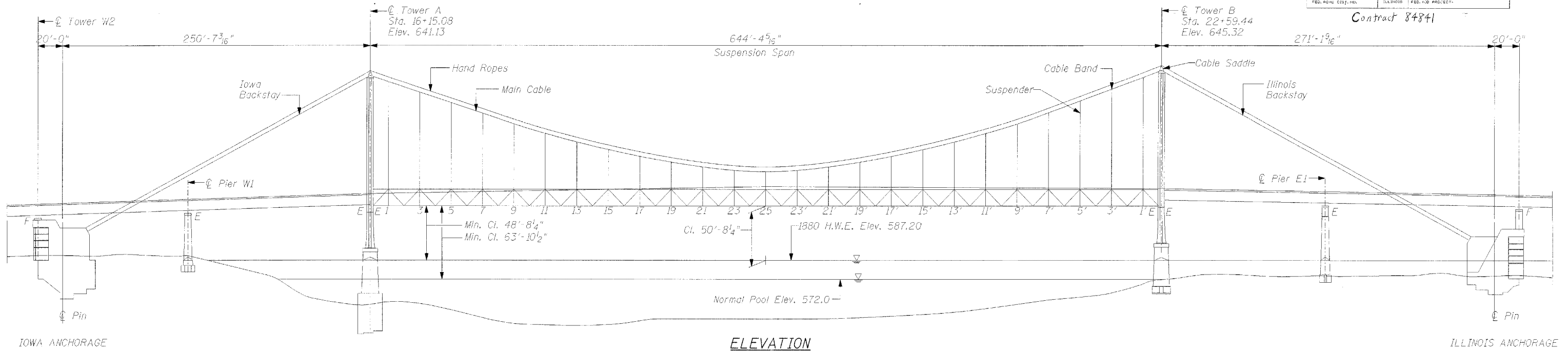
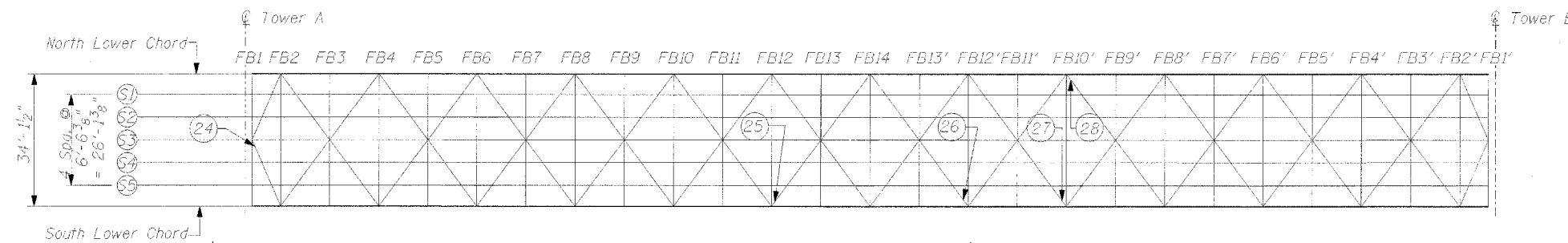


Contract 84841



ELEVATION



PLAN

LEGEND

(XX) = Indicates repair item, see description below.

24 = Repair the rusted bottom cover plate of main strut of Tower A, see S-8.

25 = Repair the rusted bottom lateral bracing member, see S-6.

26, 27 & 28 = Repair the rusted top gusset plate of bottom lateral bracing connection, see S-6.

GENERAL PLAN AND ELEVATION

CLINTON GATEWAY BRIDGE
OVER MISSISSIPPI RIVER
F.A. RTE. 309 (U.S. 30)
SECTION (7B-1D & 7BR)
WHITESIDE COUNTY
STRUCTURE NUMBER 098-6003



REVISIONS		NOTE: DIMENSIONAL DATA IS NOT TO BE OBTAINED BY SCALING ANY PORTION OF THIS DRAWING.	DRAWING NUMBER
NAME	DATE		

S-0