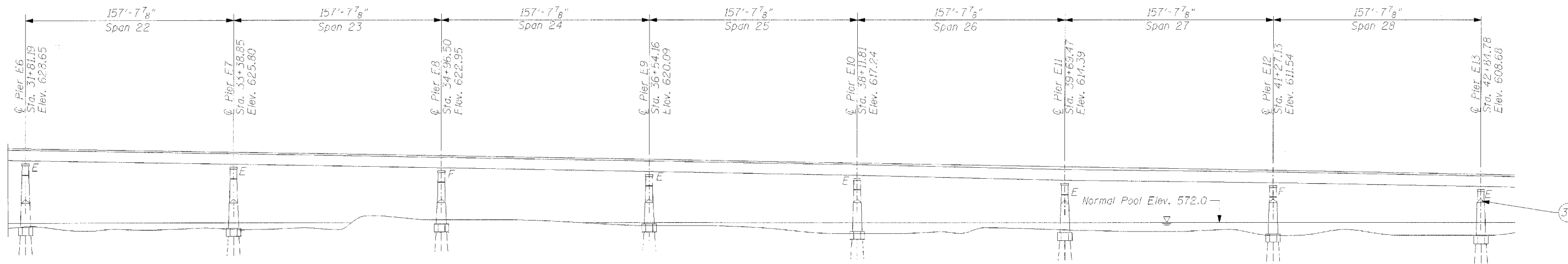
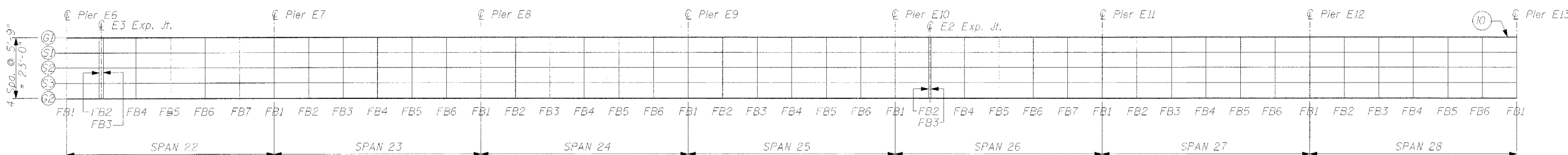


ROUTE NO. F.A. 309 (U.S. 30)	SECTION (7B-1D) & 7BR	COUNTY WHITESIDE, IL CLINTON, IA.	SHEET 9	SHEET NO. - SHEETS
FED. ROAD DIST. NO.		FED. AID PROJECT		

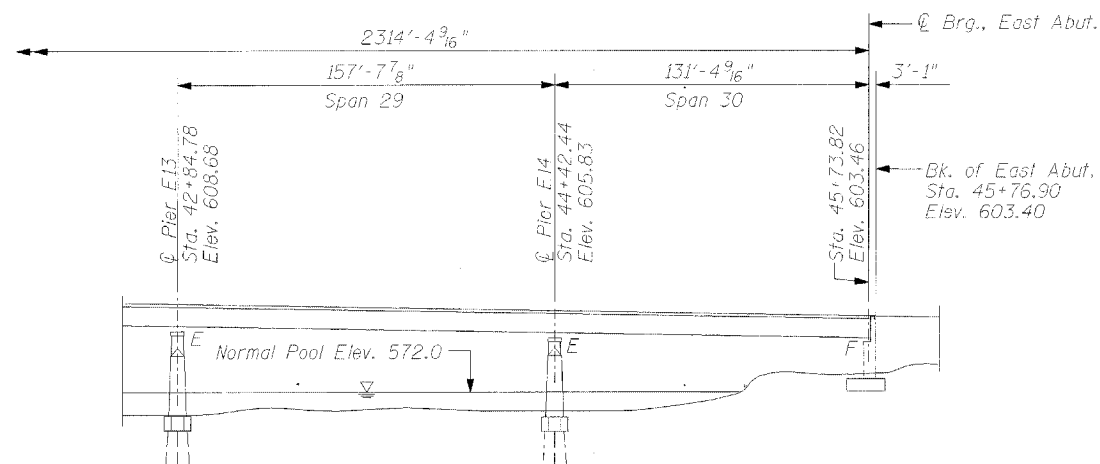
Contract 84841



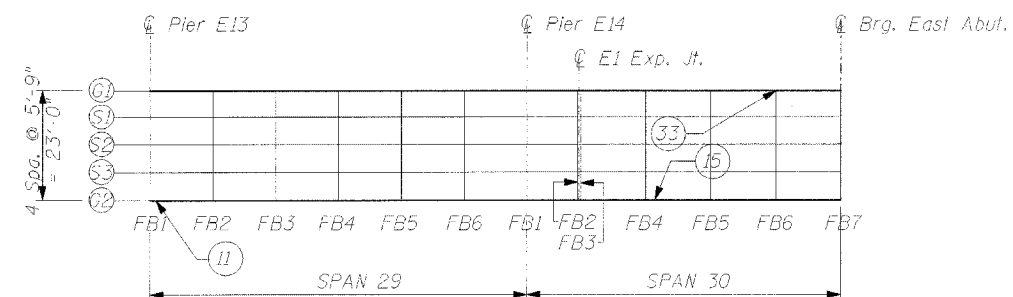
ELEVATION



PLAN



ELEVATION



PLAN

LEGEND

- (XX) = Indicates repair item, see description below.
- 10 & 11 = Repair the rusted web stiffeners, see S-6.
- 15 = Repair the rusted bottom cover plates, see S-7.
- 32 = Repair spalled pier, see S-6.
- 33 = Repair cracked weld, see S-6.

GENERAL PLAN AND ELEVATION

CLINTON GATEWAY BRIDGE  
OVER MISSISSIPPI RIVER  
F.A. RTE. 309 (U.S. 30)  
SECTION (7B-1D) & 7BR  
WHITESIDE COUNTY  
STRUCTURE NUMBER 098-6003



REVISIONS		DATE	DRAWING NUMBER
NAME			
			S-4

NOTE: DIMENSIONAL DATA IS NOT TO BE OBTAINED BY SCALING ANY PORTION OF THIS DRAWING.

DESIGNED BY: MM PROJECT NO. 102289  
 DRAWN BY: MEW DATE: 5/05  
 CHECKED BY: MM  
 APPROVED BY: SCJ