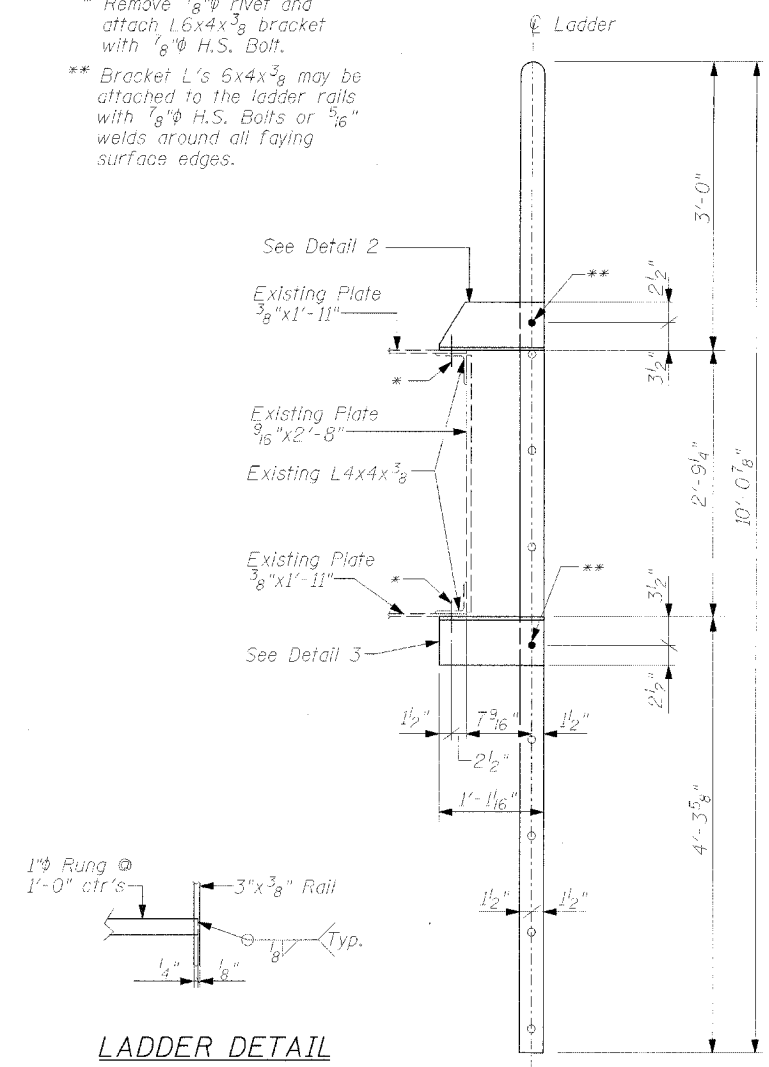
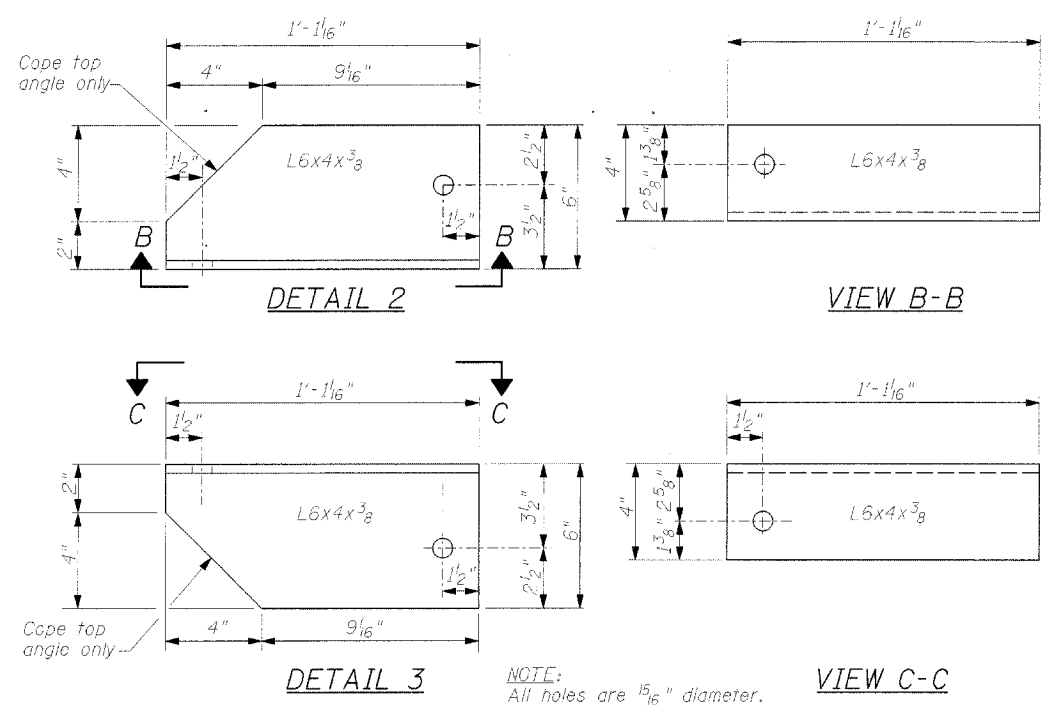


* Remove 7/8"φ rivet and attach L6x4x3/8 bracket with 7/8"φ H.S. Bolt.
 ** Bracket L's 6x4x3/8 may be attached to the ladder rails with 7/8"φ H.S. Bolts or 5/16" welds around all faying surface edges.



SECTION A-A



NOTE: All holes are 15/16" diameter.

- NOTES:**
- All material shall be galvanized after fabrication. See General Notes.
 - Weight of tower bottom strut ladders (326 lbs.) is included in the estimated quantity for "Furnishing and Erecting Structural Steel".
 - All rivets removed shall be replaced with new 7/8"φ H.S. Bolts. All costs associated with this work shall be included in the unit price bid for "Furnishing and Erecting Structural Steel".

2 Ladders required
(1 on each Tower)

BOTTOM STRUT LADDER DETAILS

CLINTON GATEWAY BRIDGE
 OVER MISSISSIPPI RIVER
 F.A. RTE. 309 (U.S. 30)
 SECTION (7B-1D) & 7BR
 WHITESIDE COUNTY
 STRUCTURE NUMBER 098-6003

Clark Dietz

CHAMPAIGN, ILLINOIS
 CHICAGO, ILLINOIS
 EVANSVILLE, INDIANA
 INDIANAPOLIS, INDIANA
 KENOSHA, WISCONSIN
 SPRING GREEN, WISCONSIN

REVISIONS	
NAME	DATE

NOTE: DIMENSIONAL DATA IS NOT TO BE OBTAINED BY SCALING AND PORTION OF THIS DRAWING.

DESIGNED BY: MM PROJECT NO: 102289
 DRAWN BY: MEW DATE: 5/76
 CHECKED BY: MM
 APPROVED BY: SCJ
 ACTIVITY: DETAILS

DRAWING NUMBER
S-9