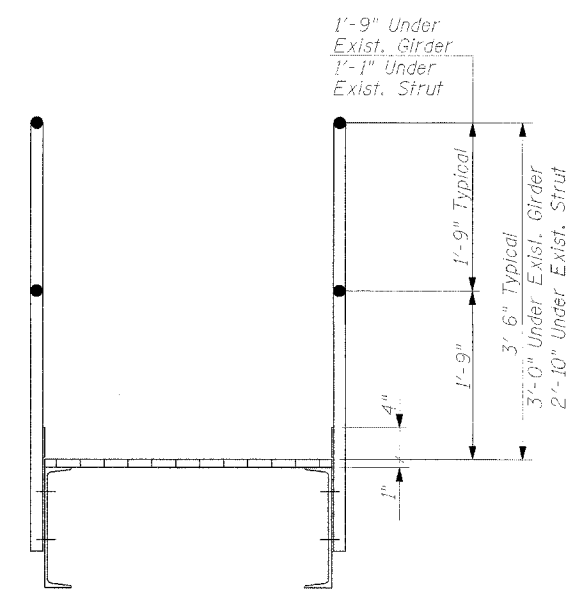
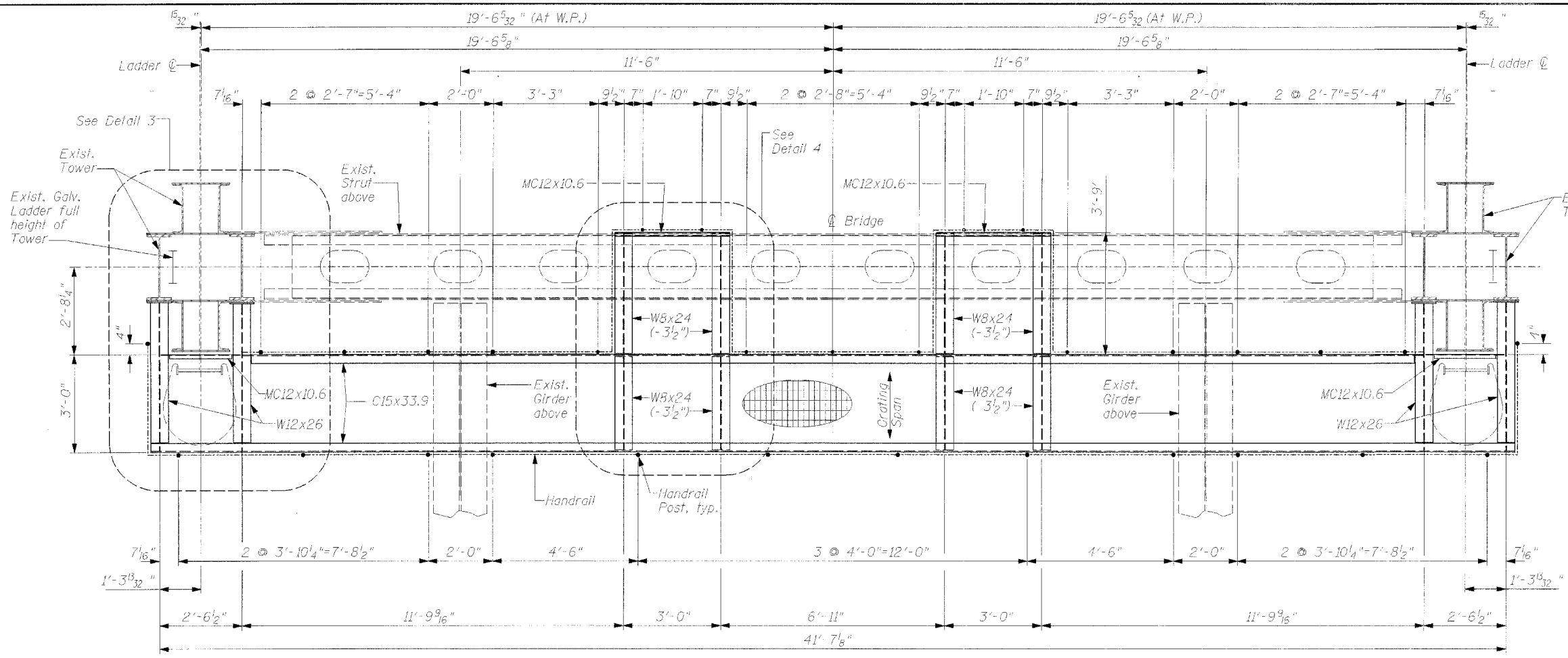


ROUTE NO.	SECTION	COUNTY	TOTAL SHEETS	SHEET NO.
F.A. 309 (U.S. 30)	(7B-1D & 7BR	WHITESIDE, IL CLINTON, IA.	19	19
FED. ROAD DIST. NO.		SHEETS		

Contract = 84841



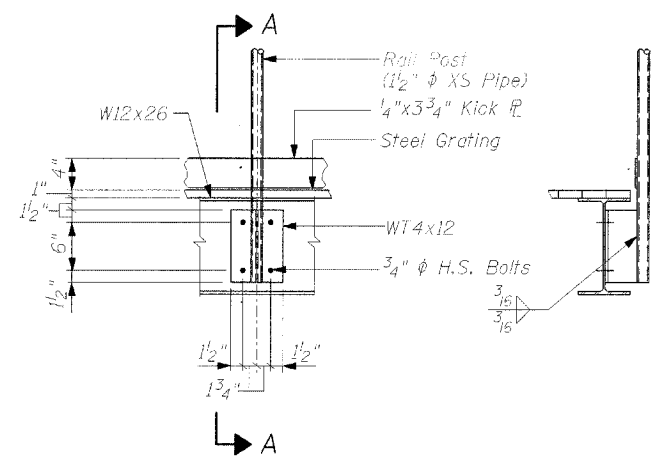
TYPICAL SECTION

**WALKWAY AND RAILING LAYOUT PLAN**

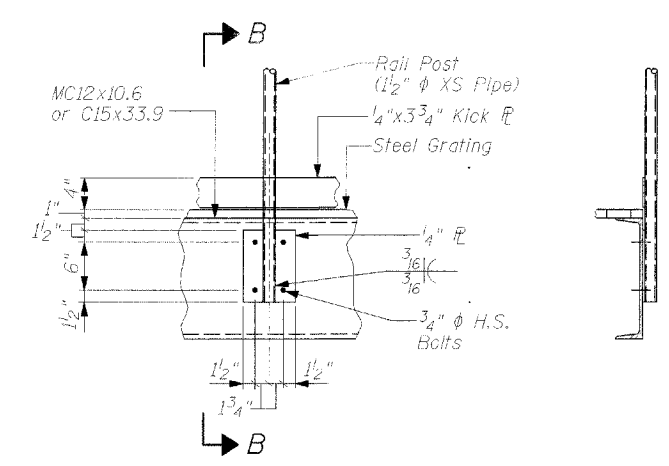
2 Walkways Required  
(1 on each approach  
side of Towers)

**NOTES**

1. Pipe handrail shall conform to A.S.T.M. A53, Grade B 1/2" Dia. Extra Strong Pipe. Weld pipe using standard fabrication practice and grind smooth.
2. Steel grating to be rectangular design, Type WB as manufactured by IKG Industries, a division of Harsco Corp. or an approved equal. Bearing bars shall be 1"x3/16" spaced at 13/16" centers. Cross bars shall be rectangular and spaced at 4" centers. All grating shall have banded ends, same size as bearing bars.
3. Grating shall be secured in place using manufacturers saddle clip; 4 minimum per grating panel.
4. All material shall be galvanized after fabrication. See General Notes.
5. Weight of Inspection Walkways, Landings and Ladders (17,849 lbs. including 2,448 lbs. of grating and 2,588 lbs. of railing) is included in the estimated quantity for "Furnishing and Erecting Structural Steel".
6. See Design Sheets S-13 and S-15 for notes and additional Details.



VIEW SECTION A-A



VIEW SECTION B-B

SECTION A-A

RAILING CONNECTION DETAILS

**WALKWAY PLAN AND CONNECTION DETAILS**

CLINTON GATEWAY BRIDGE  
OVER MISSISSIPPI RIVER  
F.A. RTE. 309 (U.S. 30)  
SECTION (7B-1D) & 7BR  
WHITESIDE COUNTY  
STRUCTURE NUMBER 098-6003

CHAMPAIGN, ILLINOIS  
CHICAGO, ILLINOIS  
EVANSVILLE, INDIANA  
INDIANAPOLIS, INDIANA  
KENOSHA, WISCONSIN  
SPRING GREEN, WISCONSIN



REVISIONS		DATE	DRAWING NUMBER
NAME			