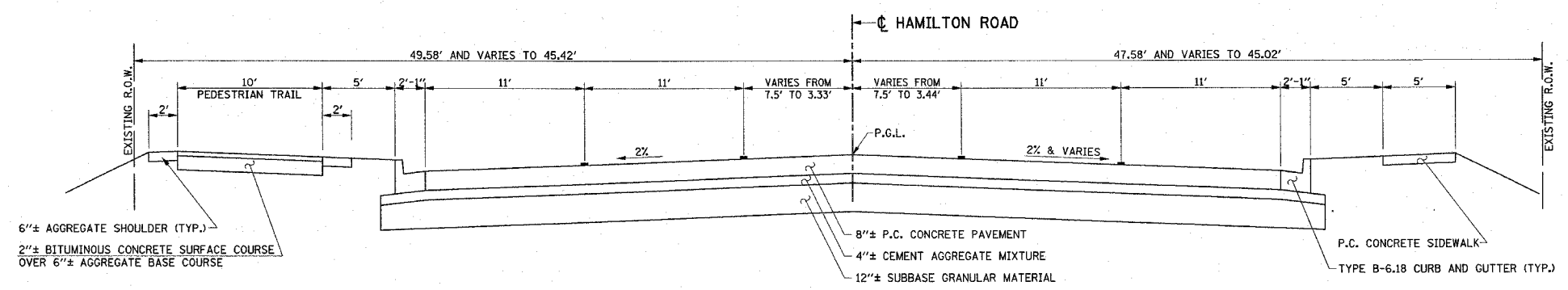
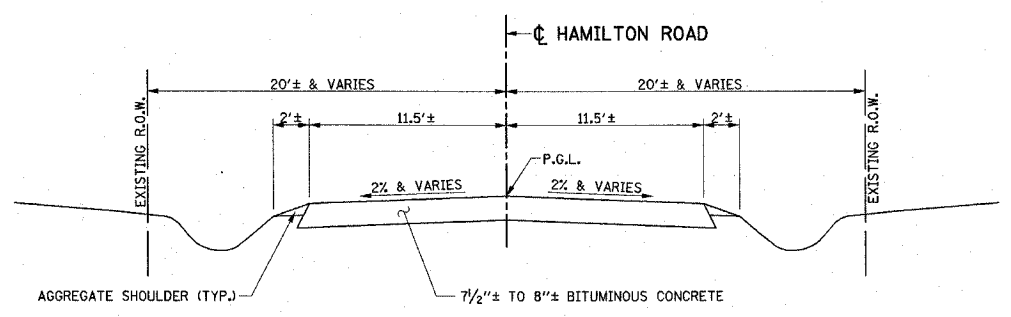


F.A.U. RTE.	SECTION	COUNTY	TOTAL SHEETS	SHEET NO.
6371	93-00295-02-PV	MCLEAN	117	13
STA.		TO STA.		
		ILLINOIS		
CONTRACT NO. 87267				



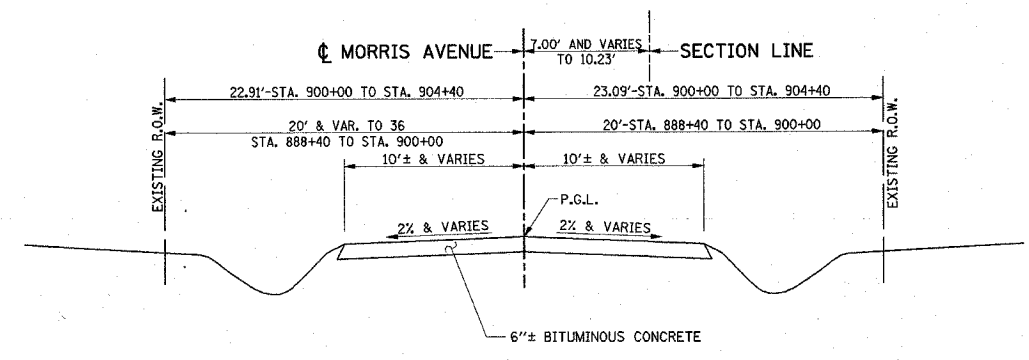
**EXISTING TYPICAL CROSS SECTION
HAMILTON ROAD**

STA. 209+80.00 TO STA. 211+65.00
(TYPICAL SECTION SHOWN IS ALONG THE PROPOSED CENTERLINE OF HAMILTON RD. AS CONSTRUCTED IN SECTION NO. 93-00295-00-PV)



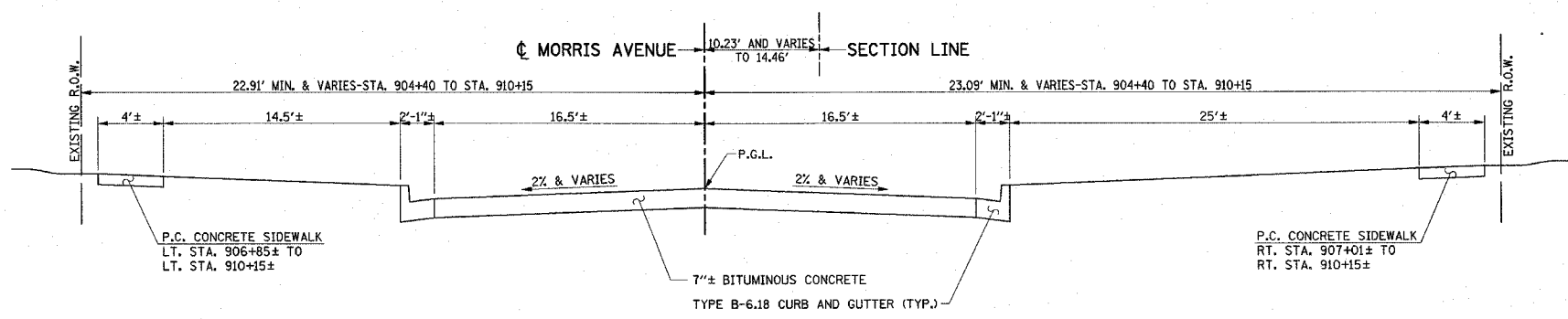
**EXISTING TYPICAL CROSS SECTION
HAMILTON ROAD**

STA. 225+34.22 TO STA. 240+90.00
(TYPICAL SECTION SHOWN IS ALONG THE CENTERLINE OF EXISTING HAMILTON RD.)



**EXISTING TYPICAL CROSS SECTION
MORRIS AVENUE**

STA. 888+40.00 TO STA. 904+40.00
(TYPICAL SECTION SHOWN IS ALONG THE CENTERLINE OF EXISTING MORRIS AVE.)



**EXISTING TYPICAL CROSS SECTION
MORRIS AVENUE**

STA. 904+40.00 TO STA. 910+15.00
(TYPICAL SECTION SHOWN IS ALONG THE CENTERLINE OF EXISTING MORRIS AVE.)

NOTE
THE EXISTING PAVEMENT TYPES AND THICKNESSES WERE TAKEN FROM EXISTING PLANS AND FROM PAVEMENT CORES AND REPRESENT THE BEST AVAILABLE INFORMATION. NO ADDITIONAL COMPENSATION WILL BE ALLOWED FOR PAVEMENT REMOVAL ITEMS DUE TO VARIATIONS IN PAVEMENT TYPES OR THICKNESSES AS SPECIFIED IN ARTICLE 440.02 OF THE STANDARD SPECIFICATIONS.

SEE HORIZONTAL ALIGNMENT LAYOUT AND CONTROL SHEET FOR LOCATIONS OF EXISTING R.O.W. AND EXISTING PERMANENT EASEMENTS.

ILLINOIS DEPARTMENT OF TRANSPORTATION

EXISTING TYPICAL SECTIONS

DATE : 3-05
DRAWN BY : J.L.B.
CHECKED BY : R.L.H.
SCALE : NONE