

TYPICAL APPLICATIONS OF URBAN PAVEMENT MARKINGS AND MARKERS

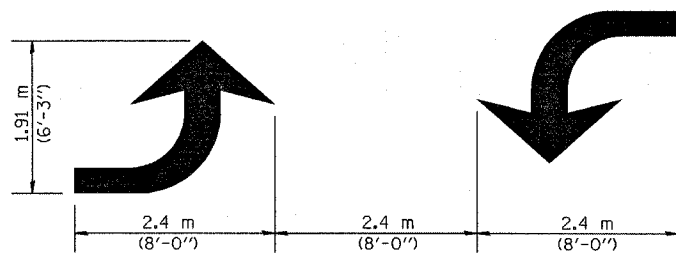
| | | | | |
|--------------------|----------------|--------|--------------|-----------|
| F.A.U. RTE. | SECTION | COUNTY | TOTAL SHEETS | SHEET NO. |
| 6371 | 93-00295-02-PV | MCLEAN | 117 | 59 |
| STA. | TO STA. | | ILLINOIS | |
| CONTRACT NO. 87267 | | | | |

TYPICAL PAVEMENT MARKING LEGEND

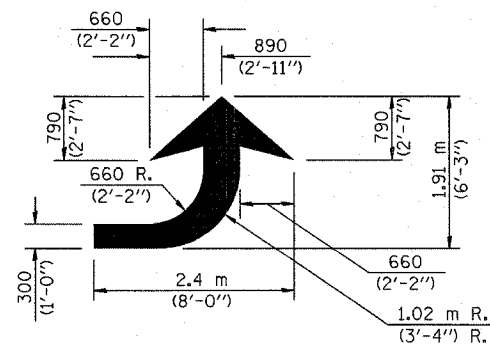
- | | | |
|-----|--------------------------------------|--|
| 1 | 100 (4) SKIP-DASH (YELLOW) | |
| 1a | 150 (6) SKIP-DASH (YELLOW) | |
| 2 | 100 (4) SOLID (YELLOW) | |
| 2a | 150 (6) SOLID (YELLOW) | |
| 3 | 300 (12) DIAGONAL (YELLOW) | |
| 4 | 100 (4) DOUBLE YELLOW (NARROW) | |
| 5 | 100 (4) DOUBLE YELLOW (WIDE) | |
| 5a | 150 (6) DOUBLE YELLOW (WIDE) | |
| 6 | RESERVED | |
| 7 | 100 (4) SKIP-DASH (WHITE) | |
| 7a | 150 (6) SKIP-DASH (WHITE) | |
| 8 | 100 (4) SOLID (WHITE) | |
| 8a | 150 (6) SOLID (WHITE) | |
| 9 | 300 (12) DIAGONAL (WHITE) | |
| 10 | 150 (6) CROSS WALK (WHITE) | |
| 11 | 600 (24) STOP BAR (WHITE) | |
| 12 | 200 (8) SOLID (WHITE) | |
| 13 | 100 (4) LANE LINE EXTENSIONS (WHITE) | |
| 13a | 200 (8) LANE LINE EXTENSIONS (WHITE) | |
| 14 | 12" CROSSWALK BAR (WHITE) | |

TYPICAL PAVEMENT MARKERS LEGEND

- TWO-WAY AMBER MARKER
- ONE-WAY AMBER MARKER
- ONE-WAY CRYSTAL MARKER



TYPICAL DOUBLE TURN ARROWS (WHITE)



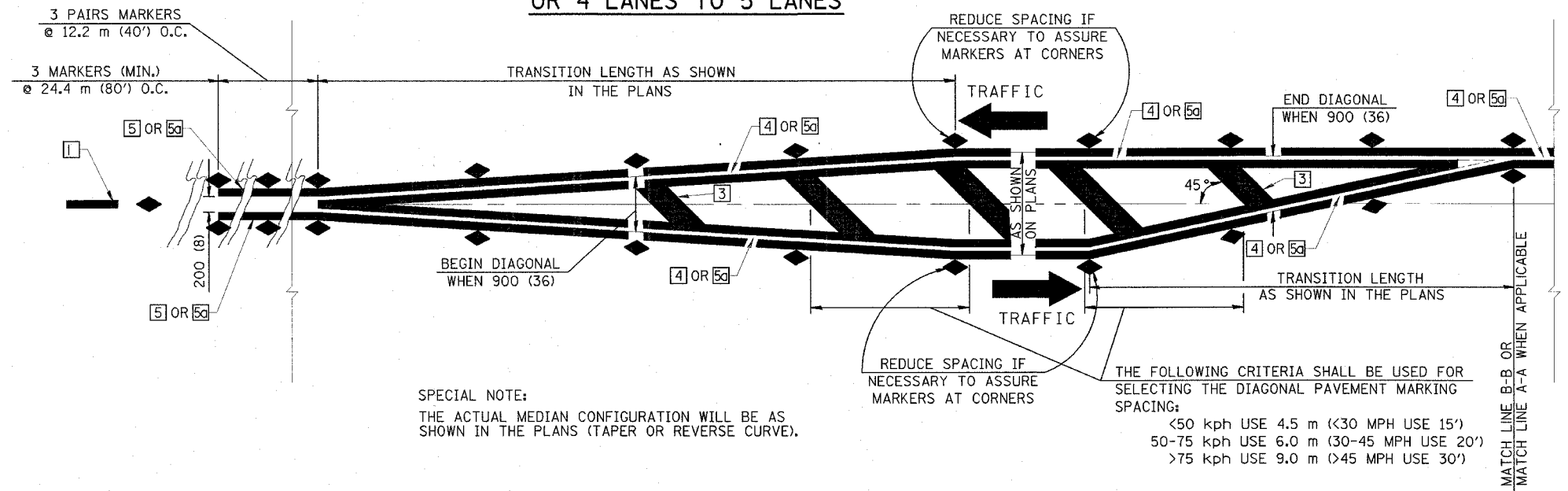
LEFT ARROW

REVERSE FOR RIGHT ARROW
AREA = 1.47 m² (15.6 SQ. FT.)
(WHITE)

All dimensions are in millimeters (Inches) unless otherwise shown.

2 LANES TO 3 LANES OR 4 LANES TO 5 LANES

LEFT TURN LANE



TYPICAL MEDIAN TRANSITIONS

GENERAL NOTES

ILLINOIS DEPARTMENT OF TRANSPORTATION

PAVEMENT MARKING DETAILS

DATE : 3-05
DRAWN BY : J.L.B.
CHECKED BY : R.L.H.

SCALE : NONE