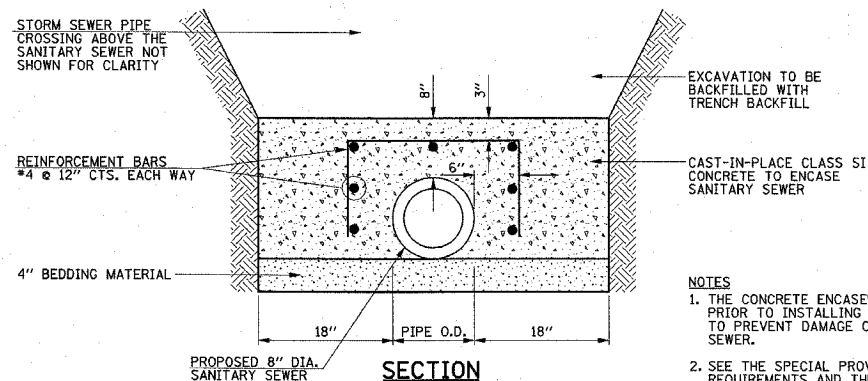
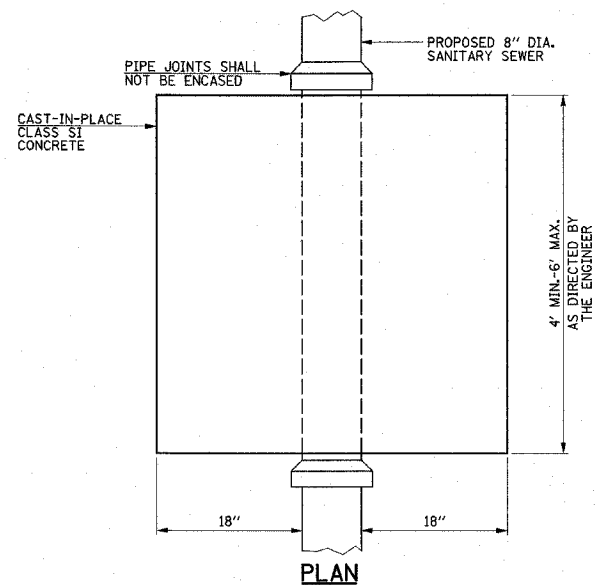
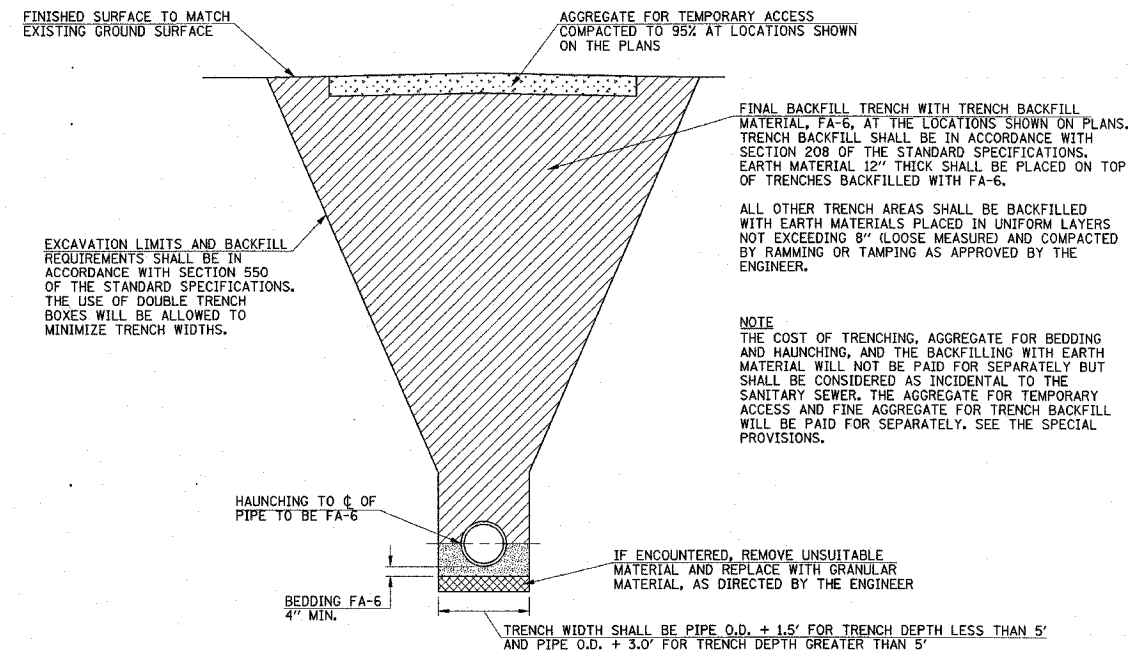


F.A.U. RTE.	SECTION	COUNTY	TOTAL SHEETS	SHEET NO.
6371	93-00295-02-PV	MCLEAN	117	81
STA.		TO STA.		
ILLINOIS				
CONTRACT NO. 87267				

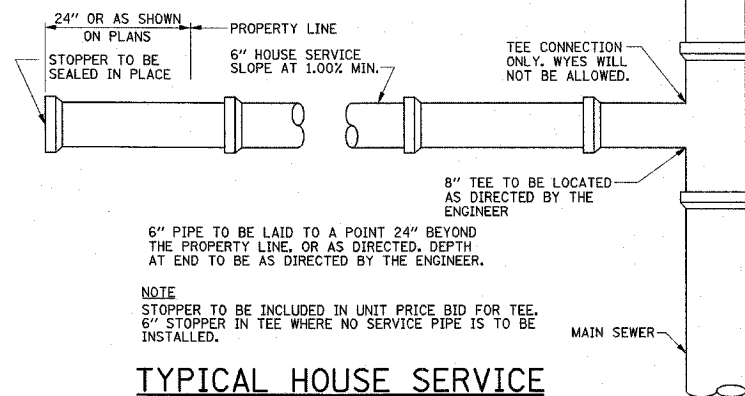


SANITARY SEWER ENCASEMENT DETAIL
SCALE: NONE

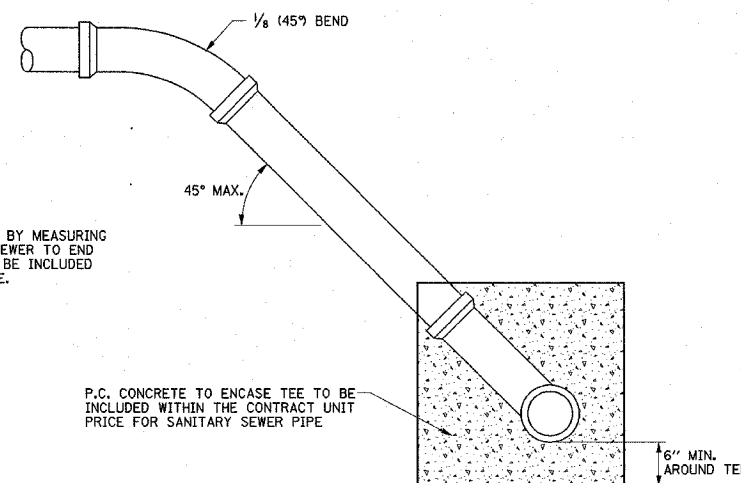
- NOTES**
1. THE CONCRETE ENCASEMENT SHALL BE CONSTRUCTED PRIOR TO INSTALLING THE STORM SEWER PIPE TO PREVENT DAMAGE OR COLLAPSING THE SANITARY SEWER.
 2. SEE THE SPECIAL PROVISIONS FOR ADDITIONAL REQUIREMENTS AND THE METHOD OF PAYMENT.



TYPICAL TRENCH SECTION
SCALE: NONE



TYPICAL HOUSE SERVICE
SCALE: NONE



- NOTE**
- 6" SERVICE TO BE PAID FOR BY MEASURING FROM CENTERLINE OF MAIN SEWER TO END OF 6" SERVICE. 1/8 BEND TO BE INCLUDED IN UNIT COST OF 6" SERVICE.

TYPICAL CONNECTION OVER 12' DEEP
SCALE: NONE

ILLINOIS DEPARTMENT OF TRANSPORTATION

SANITARY SEWER DETAILS

DATE : 3-05
DRAWN BY : J.L.B.
CHECKED BY : R.L.J.H.

SCALE : NONE