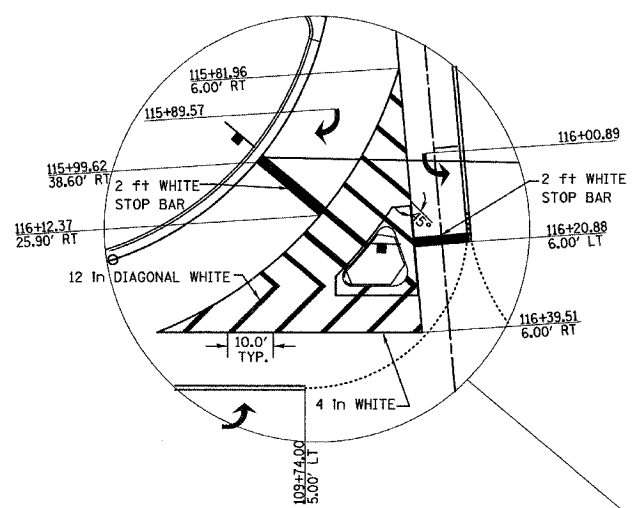
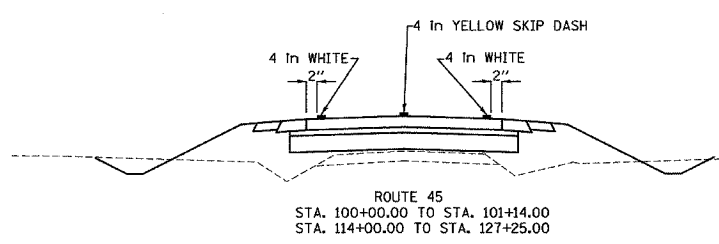
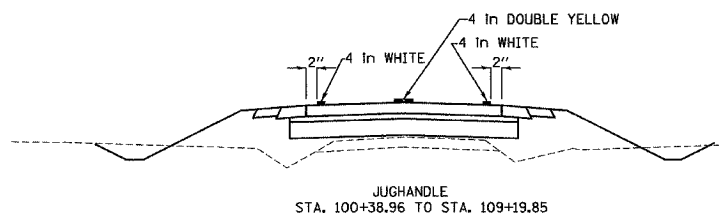
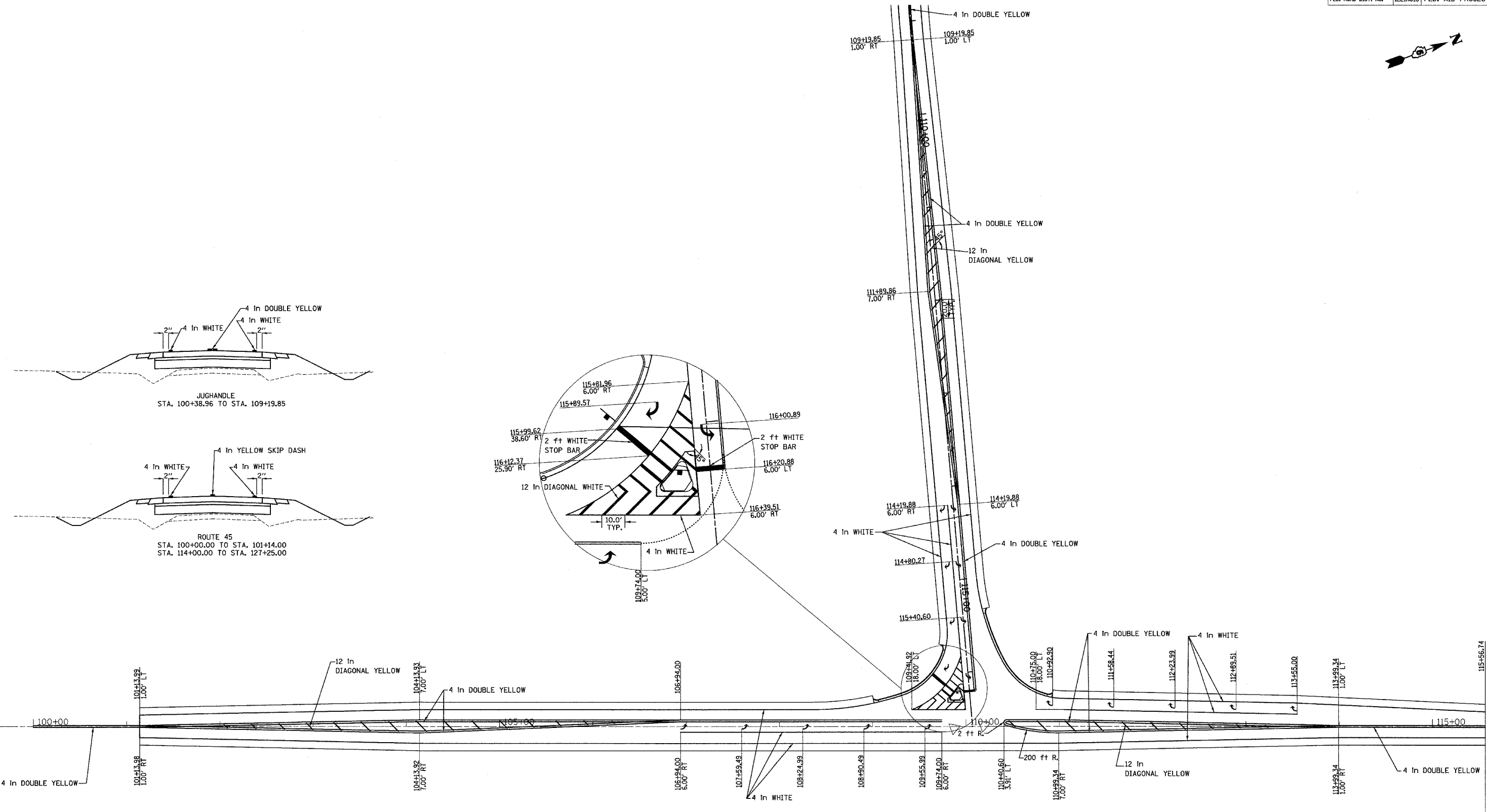


F.A.S. RTE.	SECTION	COUNTY	TOTAL SHEETS	SHEET NO.
642	99-00124-01-PV	COLES	157	43
STA.		TO STA.		
FED. ROAD DIST. NO.		ILLINOIS	FED. AID PROJECT	



REVISIONS	
NAME	DATE

ILLINOIS DEPARTMENT OF TRANSPORTATION

PAVEMENT MARKING

U.S. RTE. 45 & JUG HANDLE

SCALE: VERT. 1"=50'
 HORIZ. 1"=50'
 DATE 04/01/2005

DRAWN BY RLH
 CHECKED BY MED

TUC PROJ #3197022-5
 \SHEETPA-WL.dgn
 04/01/2005