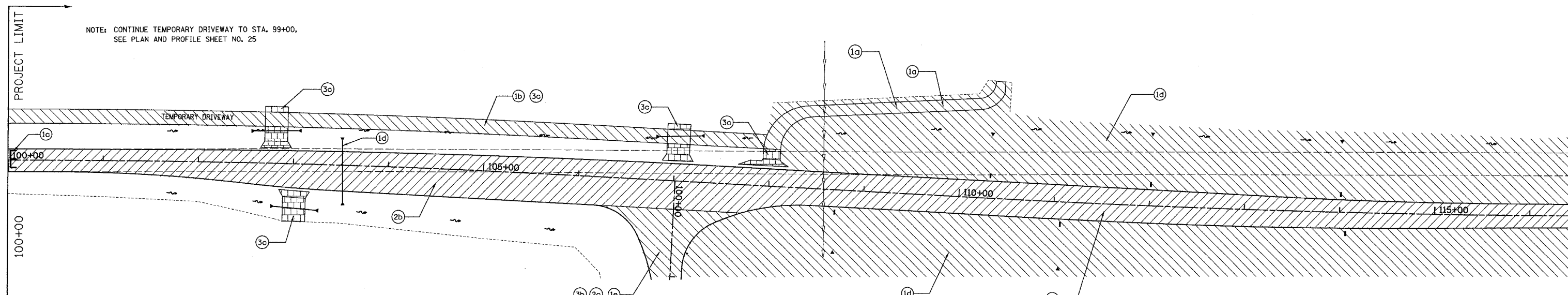


F.A.S. RTE.	SECTION	COUNTY	TOTAL SHEETS	SHEET NO.
642	99-00124-01-PV	COLES	157	61
STA. 100+00		TO STA. 121+16		
FED. ROAD DIST. NO.	ILLINOIS	FED. AID PROJECT		



STAGE 1, STA 100+00 TO STA 133+00

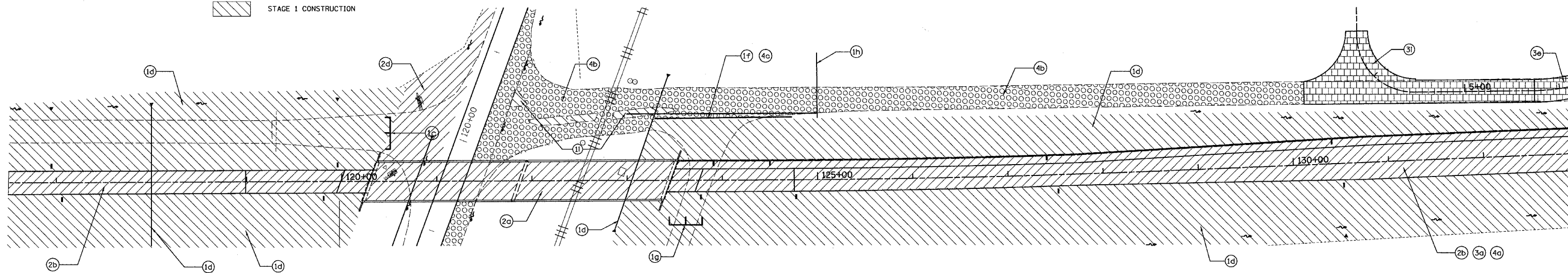
- 1a) CONSTRUCT PERMANENT ENTRANCE WITH TEMPORARY CONNECTIONS FOR RESIDENTS, LEFT STA 110+00
- 1b) CONSTRUCT TEMPORARY DRIVEWAY LEFT STA 99+00 TO STA 107+01.
- 1c) CLOSE WEST LEG OF C.H. 18., STA 100+00 TO U.S. ROUTE 45.
- 1d) CONSTRUCT CULVERTS, EMBANKMENT, MSE WALL AND DITCHES, STA 100+00 TO STA 133+00 (CH 18)
- 1e) CONSTRUCT CULVERTS, EMBANKMENT, AND DITCHES, STA 100+00 TO STA 116+00 (JUGHANDLE)
- 1f) CONSTRUCT TEMPORARY GEOTEXTILE RETAINING WALL
- 1g) CLOSE EXISTING CO. RD. 600E
- 1h) CONSTRUCT TEMPORARY CULVERT ACROSS EXISTING C.H. 18 STA. 125+00 LEFT.
- 1i) REMOVE EXISTING ISLANDS, PATCH AND STRIPE NORTH HALF OF PAVEMENT FOR 2 DIRECTION OPERATION

STAGE 1 CONSTRUCTION

STAGE 2, STA 100+00 TO STA 133+00

- 2a) CONSTRUCT GRADE SEPARATION STRUCTURE STA 120+28 TO STA 123+44.
- 2b) C.H. 18, CONSTRUCT REMAINING CULVERTS, EARTHWORK AND ALL ROADWAY AND SHOULDER PAVING STA 100+00 TO STA 133+00
- 2c) JUGHANDLE, CONSTRUCT REMAINING CULVERTS, EARTHWORK, AND ALL ROADWAY AND SHOULDER PAVING
- 2d) REMOVE OLD CH 18 PAVEMENT, WEST SIDE OF U.S. 45 INTERSECTION

STAGE 2 CONSTRUCTION



STAGE 3, STA 100+00 TO STA 133+00

- 3a) OPEN NEW C.H. 18 TO LOCAL TRAFFIC ONLY.
- 3b) OPEN JUGHANDLE TO TRAFFIC FROM U.S. 45 TO C.H. 18.
- 3c) REMOVE TEMPORARY DRIVEWAY STA 99+00 TO STA 108+00 LEFT, SHAPE DITCH AND CONSTRUCT PERMANENT ENTRANCE CONNECTION.
- 3i) RESURFACE EXISTING C.H. 18 PAVEMENT TO REMAIN IN PLACE AS A COMMERCIAL ENTRANCE STA 130+14 TO STA 132+60.

STAGE 3 CONSTRUCTION

STAGE 4, STA 100+00 TO STA 133+00

- 4a) OPEN NEW C.H. 18 TO ALL TRAFFIC.
- 4b) CLOSE EXISTING C.H. 18 AT U.S. 45. REMOVE EXISTING C.H. 18 PCC PAVEMENT STA 121+51 TO STA 129+00. REMOVE EXISTING RAILROAD CROSSING.
- 4c) REMOVE TEMPORARY GEOTEXTILE RETAINING WALL SYSTEM, COMPLETE BRIDGE CONE SLOPE

STAGE 4 CONSTRUCTION

REVISIONS	
NAME	DATE

ILLINOIS DEPARTMENT OF TRANSPORTATION

STAGING PLAN

SCALE: VERT. 1" = 50'
HORIZ. 1" = 50'
DATE 04/01/2005

DRAWN BY SJF
CHECKED BY MED

C.H. 18, STA. 100+00 TO STA. 133+00

TUG PROJ. #3107022-5
PLAN STAGING.dgn
04/01/2005