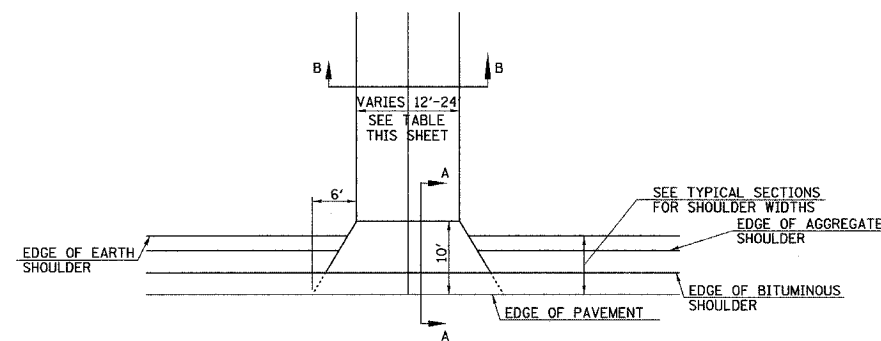
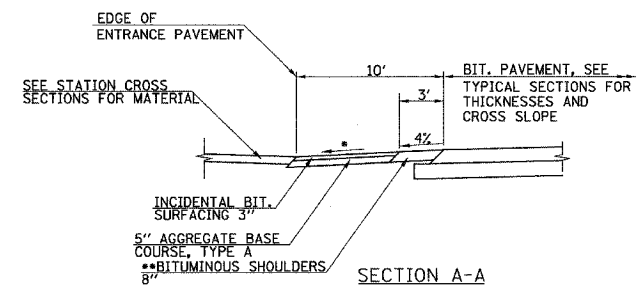


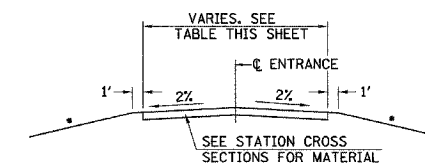
F.A.S. RTE.	SECTION	COUNTY	TOTAL SHEETS	SHEET NO.
642	99-00124-01-PV	COLES	157	75
STA.		TO STA.		
FED. ROAD DIST. NO.		ILLINOIS	FED. AID PROJECT	



TYPICAL PRIVATE ENTRANCE DETAIL

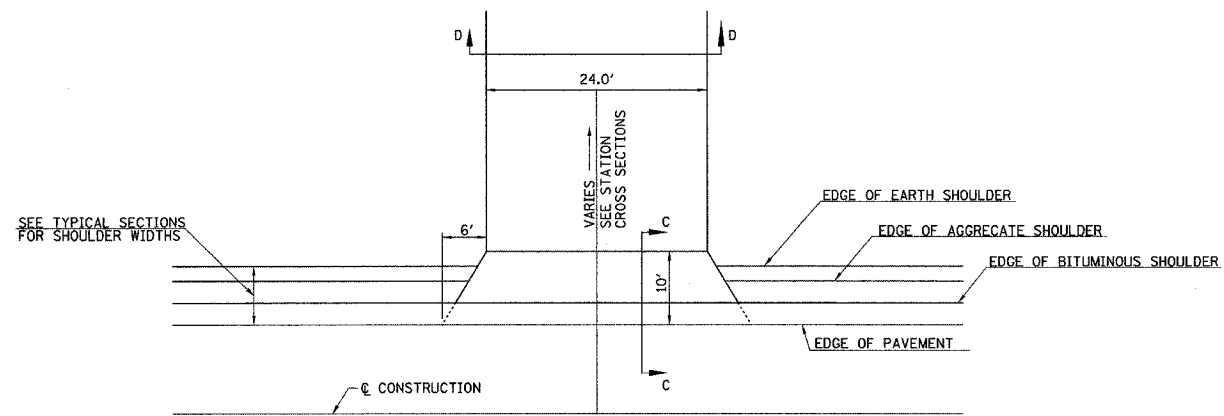


• 4% UNLESS OTHERWISE NOTED ON STATION CROSS SECTIONS

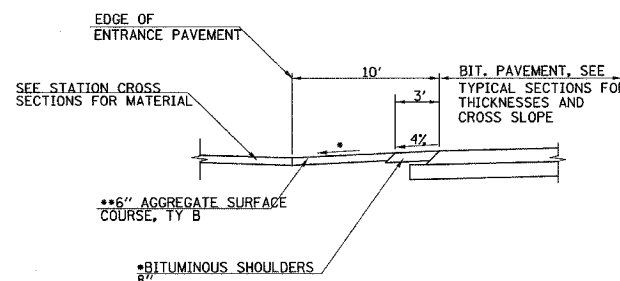


SECTION B-B

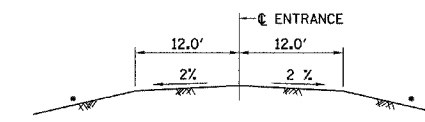
• 4:1 MIN. SLOPE TO MATCH EXISTING GROUND



TYPICAL FIELD ENTRANCE DETAIL



• 4% UNLESS OTHERWISE NOTED ON STATION CROSS SECTIONS
 • F.E. @ STA. 142+14.11 LT USE 12" AGGREGATE SURFACE COURSE, TY B



SECTION D-D

• 4:1 MIN. SLOPE TO MATCH EXISTING GROUND

LOCATION	WIDTH	DESCRIPTION	LENGTH (FROM EDGE OF PVT TO LIMITS OF IMPROVEMENT)	AGG. BASE COURSE TY. A	AGG. SURF. COURSE TY. B	INCIDENTAL BITUMINOUS SURF.	BITUMINOUS PRIME COAT	PCC DRIVEWAY PAVEMENT 8"
C. H. 18	FOOT		FOOT	TONS	TONS	TONS	GALLONS	SQ YD
102+81.33 LT	24	F. E.	46.2		7.5			
103+01.46 RT	24	F. E.	34.9		7.5			
107+02.88 LT	24	F. E.	42.1		7.5			
108+01.35 LT	18	P. E.	105.3	124.4		73.4	43.6	
136+73.27 LT		C. E.				70.6	84.1	4509.4
142+14.11 LT		F. E.	66.7		118.5			
144+30.93 RT	24	F. E.	43.8		7.5			
149+48.18 RT	35	C. E.	48.0					322.2
150+62.86 LT	24	F. E.	48.0		7.5			
152+63.93 RT	35	C. E.	48.0					321.1
154+26.74 LT	12	P. E.	48.0	6.7	17.3	4.0	2.4	
154+32.48 RT	35	C. E.	48.0					374.4
156+69.83 LT	24	F. E.	48.0		7.5			
160+95.89 LT	12	P. E.	48.0	6.7	17.3	4.0	2.4	
163+00.00 LT	24	F. E.	45.1		7.5			
163+00.00 RT	24	F. E.	46.9		7.5			
JUGHANDLE								
106+00.00 LT	24	F. E.	27.4		7.5			
TOTALS				137.8	220.6	152.0	132.5	5527.1

REVISIONS		ILLINOIS DEPARTMENT OF TRANSPORTATION
NAME	DATE	
		ENTRANCE DETAILS SCALE: VERT. _____ HORIZ. _____ DATE 04/04/2005 DRAWN BY RLH CHECKED BY MED

TUC PROJ. #181022-5
 U.S. SHEET #ALS-WG01
 04/04/2005