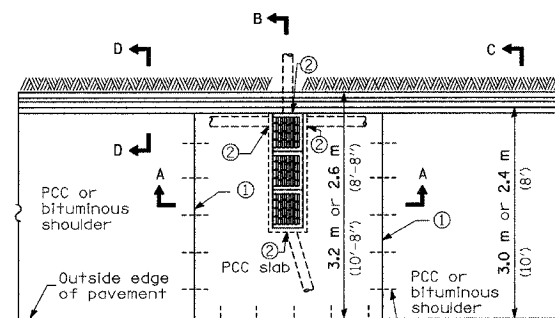
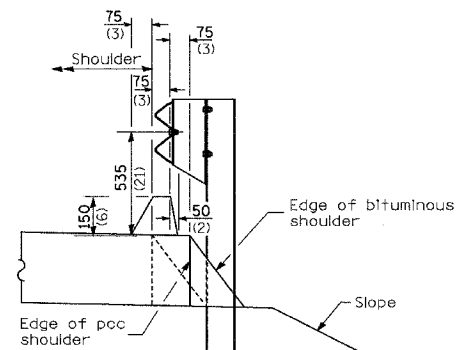


F.A.S. RTE.	SECTION	COUNTY	TOTAL SHEETS	SHEET NO.
642	99-00124-01-PV	COLES	157	80
STA.	TO STA.			
FED. ROAD DIST. NO.	ILLINOIS	FED. AID PROJECT		

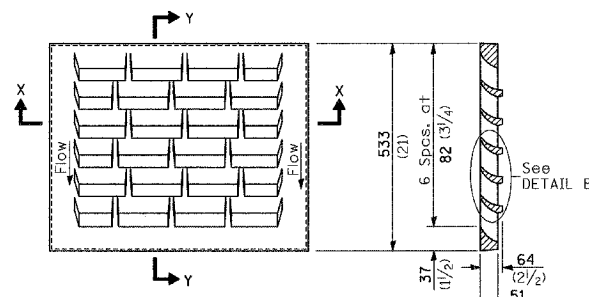


- ① Joints in prolongation with existing joints in pavements.
- ② See plans for locations for pipe block-outs.

PLAN



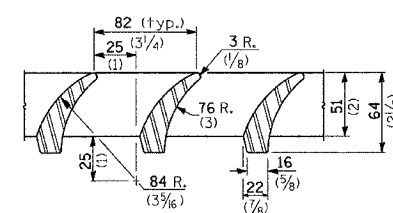
DETAIL B



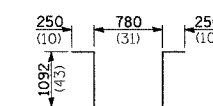
DETAIL OF CAST GRATE

Type E requires 2 grates
Type F requires 3 grates

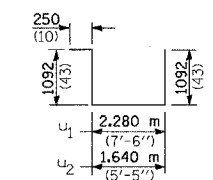
SECTION Y-Y



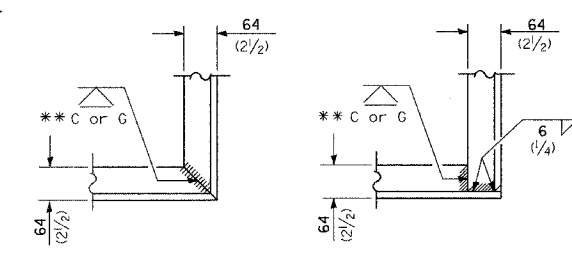
DETAIL B



BAR U



BARS U₁, U₂

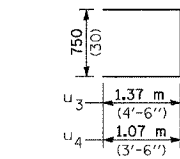


ALT. 1

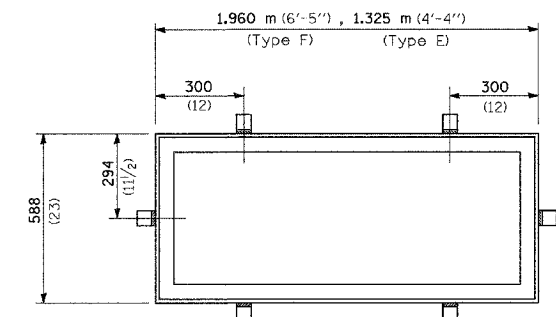
ALT. 2

TYPICAL CORNER OF STEEL GRATING FRAME

** Cut or Grind flush

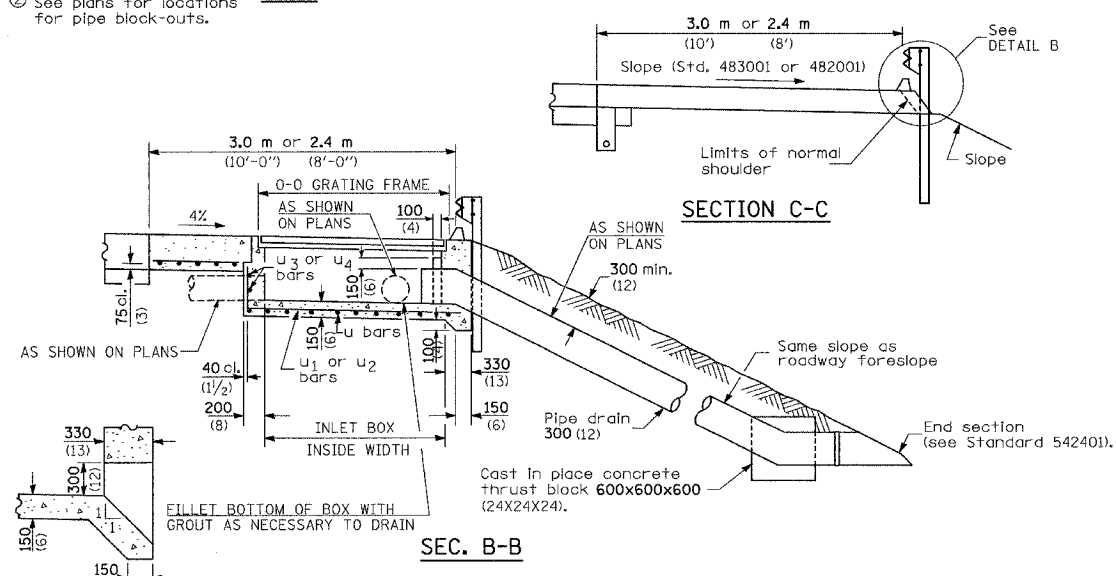


BARS U₃, U₄



DETAIL OF STEEL FRAME

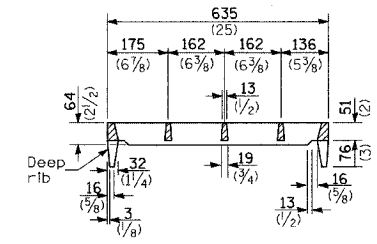
Cast frame to have same basic dimensions.



SECTION C-C

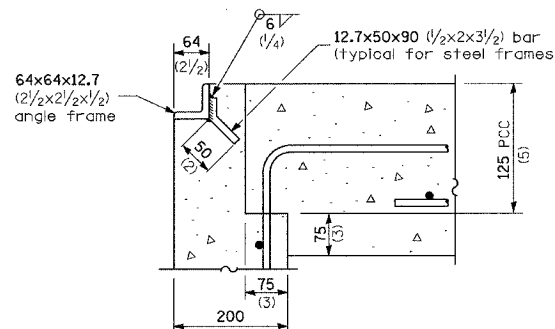
SEC. B-B

BOX OUTLET WHEN PRECAST

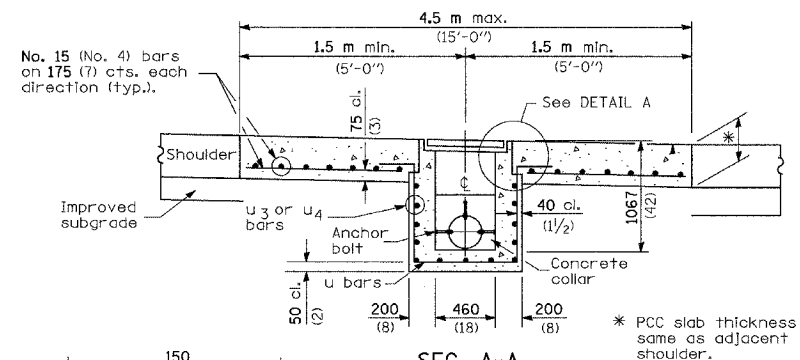


SECTION X-X

(Deep rib shall be omitted for ends resting on frame perimeter)

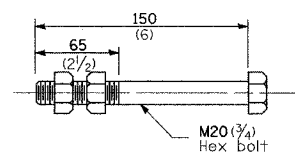


DETAIL A



SEC. A-A

* PCC slab thickness same as adjacent shoulder.



ANCHOR BOLT

(Used to tie pipe to concrete collar)

INLET BOX

REQUIRED MATERIAL			
TYPE F			
Bar	Qty.	Size	Length
u	8	No. 15 (No. 4)	3.23 m (10'-7")
u ₁	3	No. 15 (No. 4)	4.47 m (14'-8")
u ₃	6	No. 15 (No. 4)	3.49 m (11'-6")
Concrete	m ³ (cu. yds.)		1.3 (1.7)
Reinf. bars	kg (lbs.)		89.9 (126)
Grating	m ² (sq. ft.)		1.02 (10.9)
TYPE E			
Bar	Qty.	Size	Length
u	6	No. 15 (No. 4)	3.23 m (10'-7")
u ₂	3	No. 15 (No. 4)	3.83 m (12'-7")
u ₄	6	No. 15 (No. 4)	2.89 m (9'-6")
Concrete	m ³ (cu. yds.)		1.0 (1.3)
Reinf. bars	kg (lbs.)		71.9 (101)
Grating	m ² (sq. ft.)		0.68 (7.3)

GENERAL NOTES

See Standard 420001 for joint details not shown.

All exposed edges of the Inlet, except the upper perimeter, shall be beveled 20 mm (3/4").

For placement of drainage elements on existing construction with existing rigid pavement, substitute expansion anchor ties for tie bars. For nonrigid pavements or monolithic construction of pcc slab and shoulder, omit tie bars.

All dimensions are in millimeters (inches) unless otherwise shown.

INLET TYPE	SHOULDER WIDTH	O-O GRATING FRAME	INLET BOX INSIDE WIDTH	INLET BOX INSIDE LENGTH
Type E	2.4 m (8')	1.325 m (4'-4")	1.195 m (3'-11")	460 (18)
Type F	3.0 m (10')	1.960 m (6'-5")	1.830 m (6'-0")	460 (18)

REVISIONS	
NAME	DATE

ILLINOIS DEPARTMENT OF TRANSPORTATION

TYPE E INLET BOX STANDARD 610001 (SPECIAL) DETAIL

SCALE: VERT. HORIZ. DATE 04/04/2005

DRAWN BY RLH CHECKED BY MED

TUC PROJ # 91292-5
SHEET DETAIL S-W-69
04/04/2005