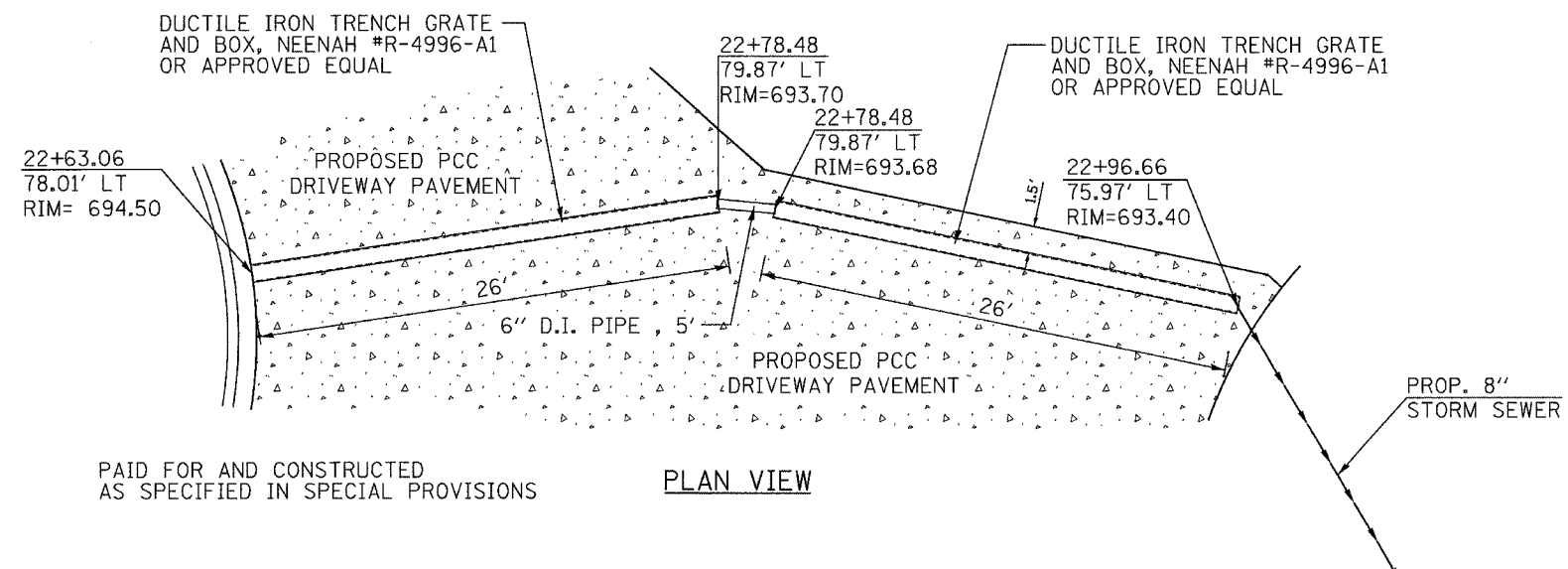


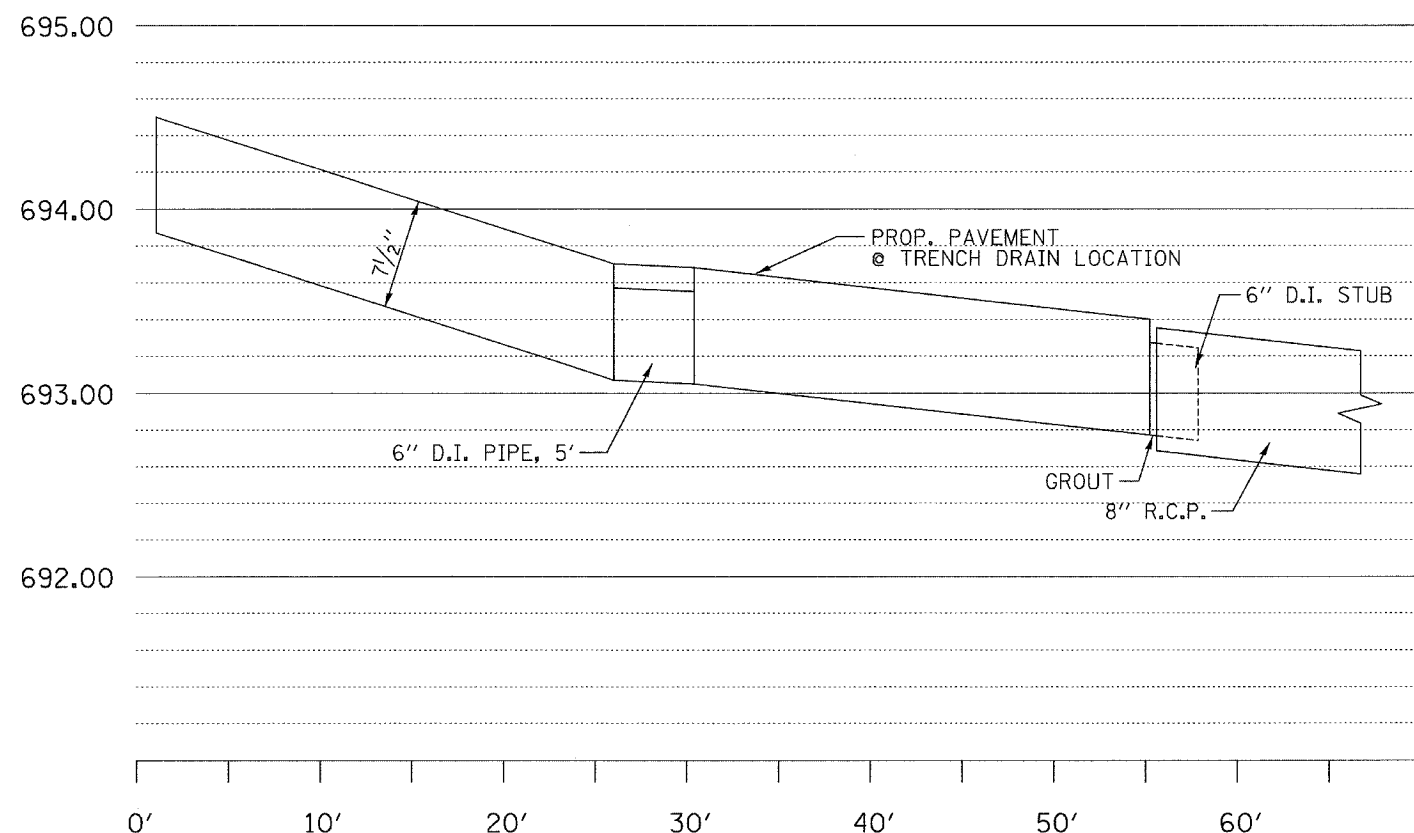
F.A.S. RTE.	SECTION	COUNTY	TOTAL SHEETS	SHEET NO.
642	99-00124-01-PV	COLES	157	83
STA. TO STA.		FED. ROAD DIST. NO. ILLINOIS FED. AID PROJECT		



PAID FOR AND CONSTRUCTED AS SPECIFIED IN SPECIAL PROVISIONS

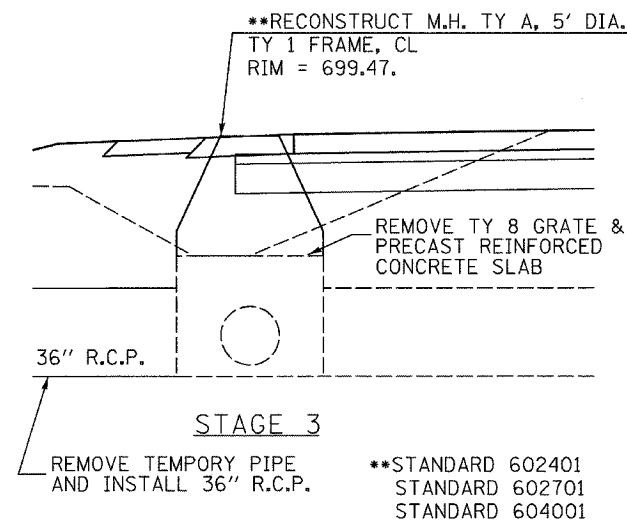
PLAN VIEW

TRENCH DRAIN



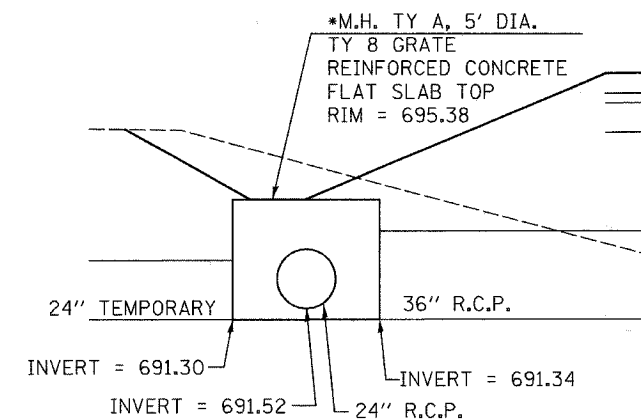
PROFILE VIEW

TRENCH DRAIN



STAGE 3

REMOVE TEMPORARY PIPE AND INSTALL 36" R.C.P. **STANDARD 602401 STANDARD 602701 STANDARD 604001



STAGE 2

*M.H. TY A, 5' DIA. TY 8 GRATE REINFORCED CONCRETE FLAT SLAB TOP RIM = 695.38
 INVERT = 691.30 INVERT = 691.52 INVERT = 691.34
 **STANDARD 602401 STANDARD 602601 STANDARD 602701 STANDARD 604036

MANHOLE TYPE A, SPECIAL, 5' DIAMETER, TYPE 1 FRAME CLOSED LID STATION 138+00 LEFT

REVISIONS	
NAME	DATE

ILLINOIS DEPARTMENT OF TRANSPORTATION

DRAINAGE STRUCTURE DETAILS

SCALE: VERT. HORIZ. DATE 09/02/2005

DRAWN BY RLH CHECKED BY MED

TUG PROJ. #1987022-5
 ...SHEETDETAILS-W.dgn
 09/02/2005