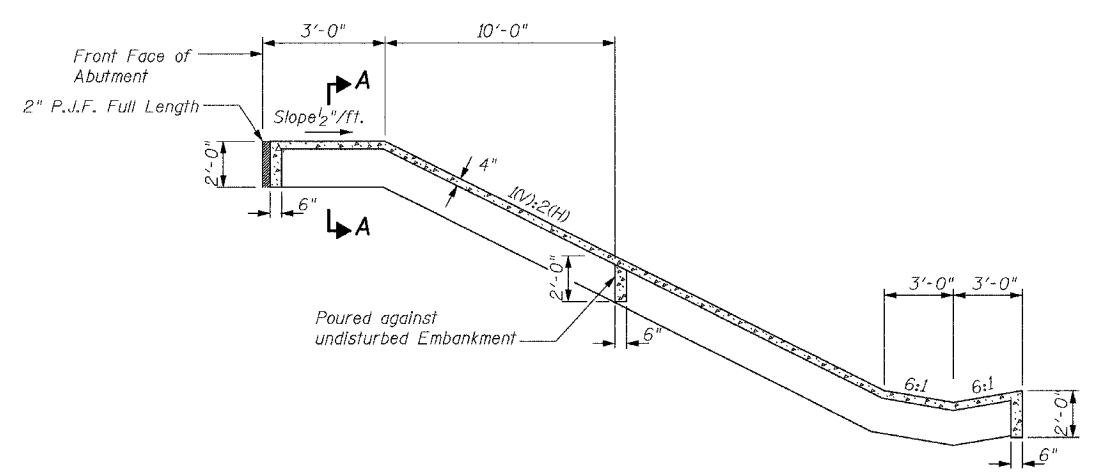
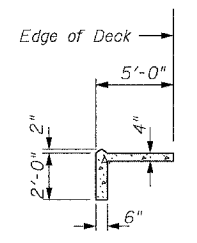


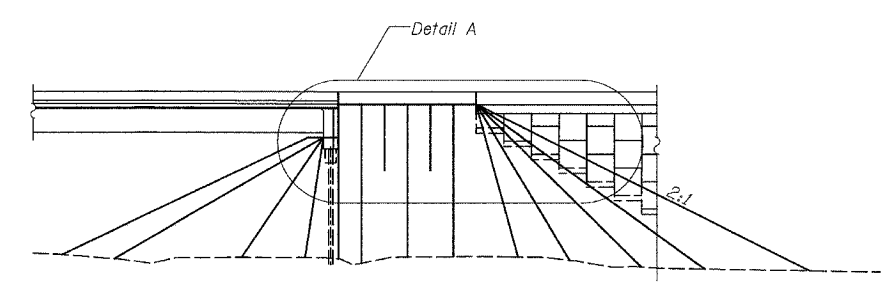
F.A.P. RTE.	SECTION	COUNTY	TOTAL SHEETS	SHEET NO.
642	99-00124-01-PV	COLES	157	86
STA.	TO STA.			
FED. ROAD DIST. NO.	ILLINOIS	FED. AID PROJECT		



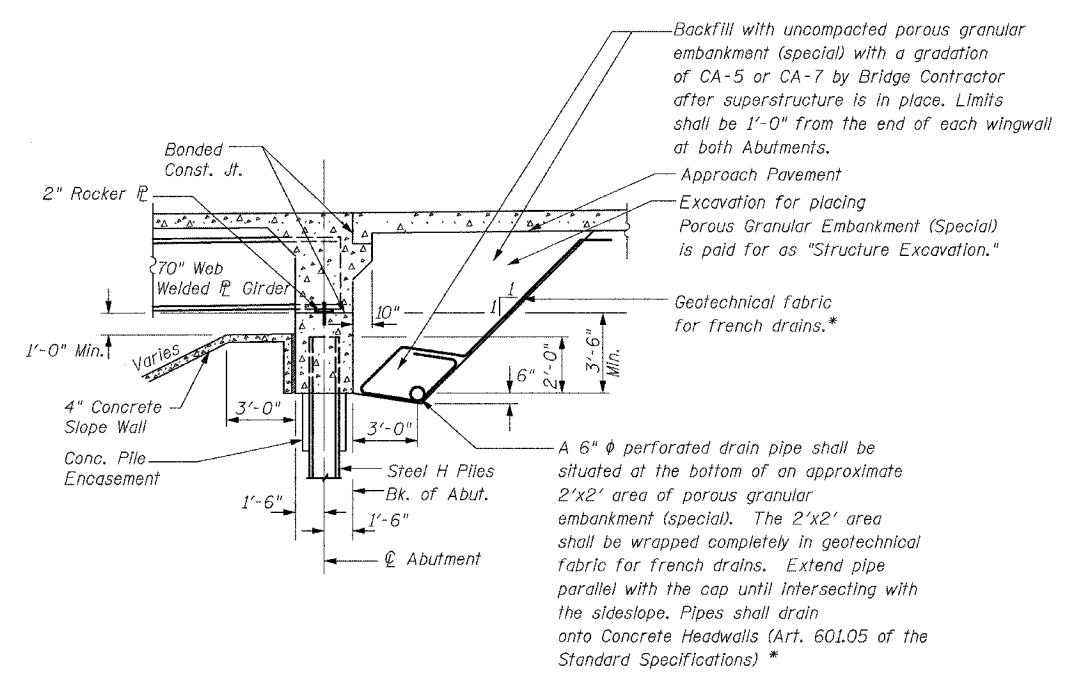
SECTION THRU SLOPEWALL
(All dimension at Rt. L's)



SECTION A-A

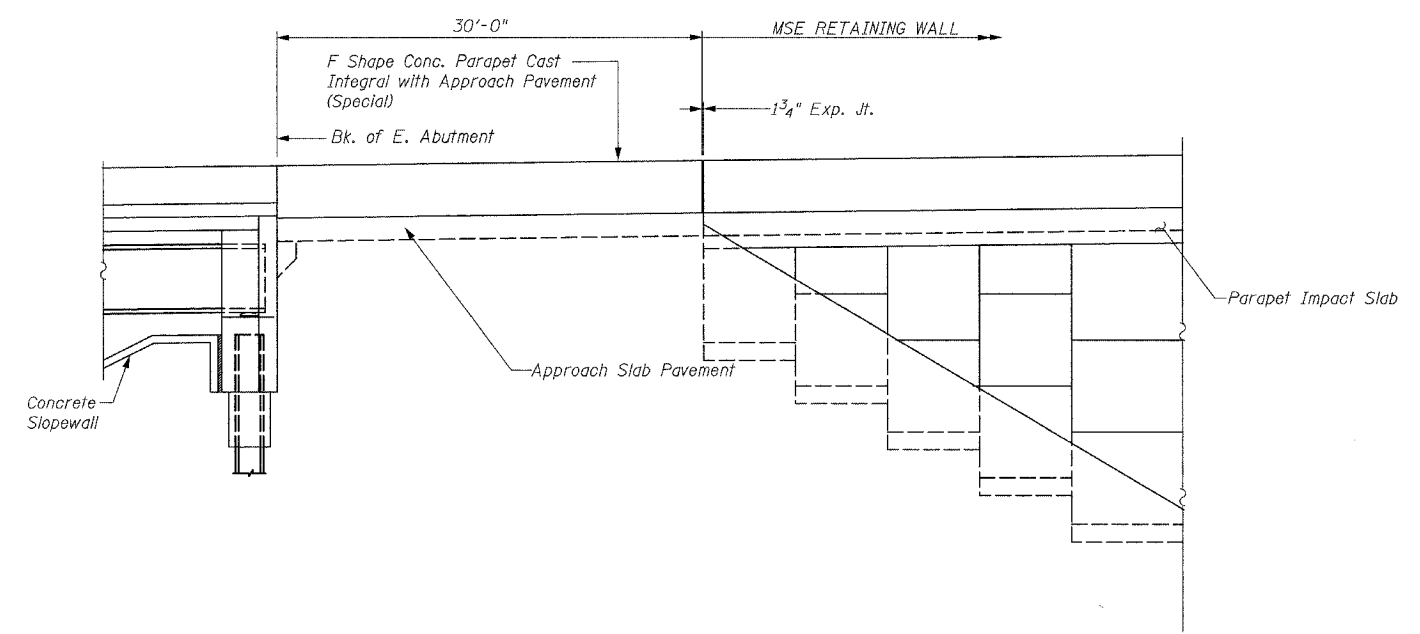


EAST ABUTMENT - VIEW WITH RETAINING WALL



SECTION THRU INTEGRAL ABUTMENT
(At Rt. L's)

* Included in the cost of "Porous Granular Embankment (Special)."



DETAIL A

THE UPCHURCH GROUP
HILLSIDE, IL. (708) 449-2821
MATTOON, IL. (217) 235-3177

REVISIONS	
NAME	DATE

ILLINOIS DEPARTMENT OF TRANSPORTATION
SLOPE WALL & INTEGRAL ABUT. DETAILS
CH 18 OVER US 45 AND CN/IC RR
FAS 642 SECTION 99-00124-01-PV
COLES COUNTY
STA. 121+87.25 STR. No. 015-3400
SCALE: DRAWN BY BJF
DATE: 6/21/05 CHECKED BY MJS