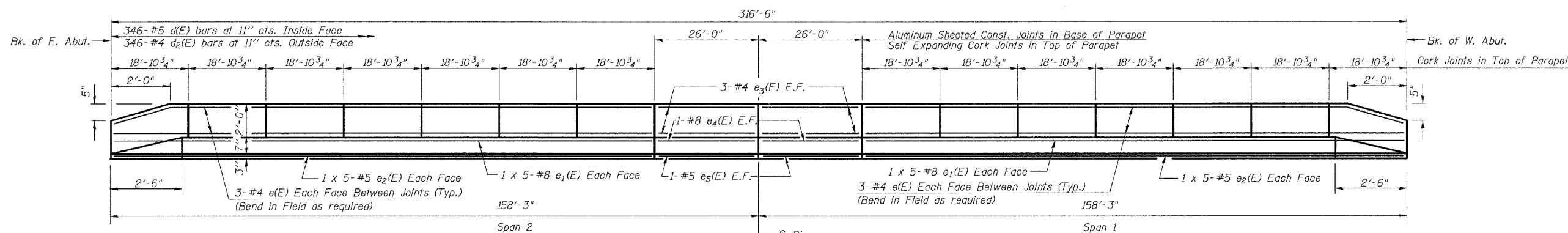
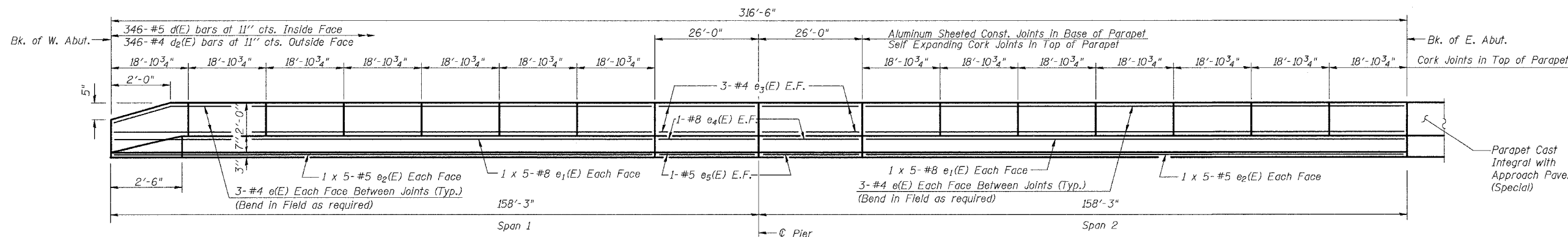


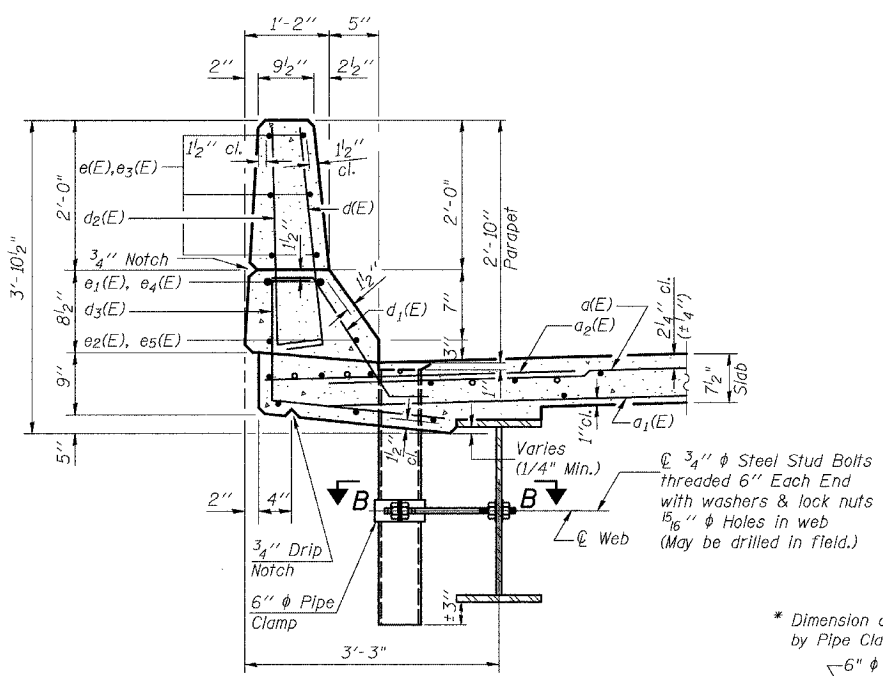
F.A.P. RTE.	SECTION	COUNTY	TOTAL SHEETS	SHEET NO.
642	99-00124-01-PV	COLES	157	92
STA.	TO STA.			
FED. ROAD DIST. NO.	ILLINOIS	FED. AID PROJECT		



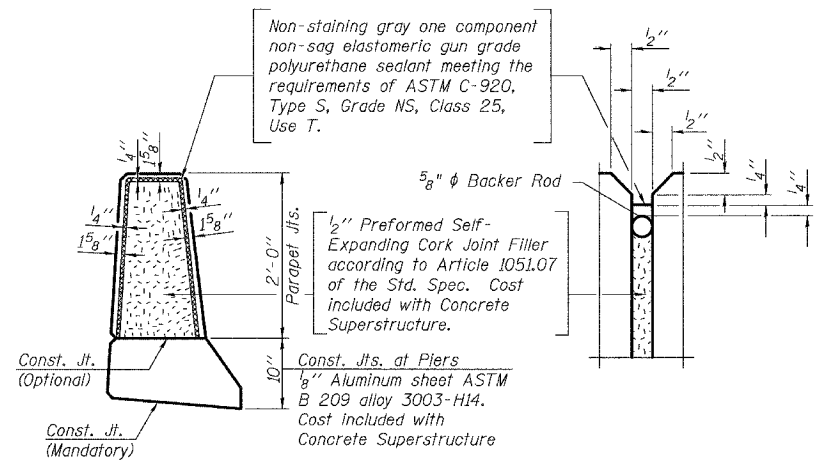
INSIDE ELEVATION OF PARAPET
(Looking South)



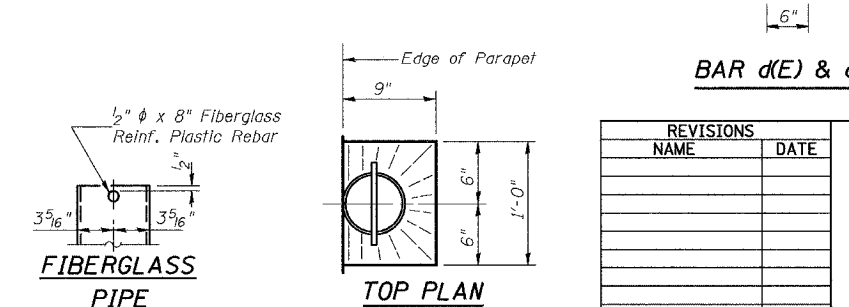
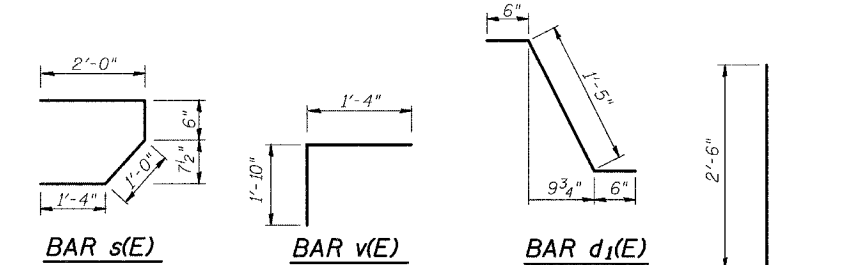
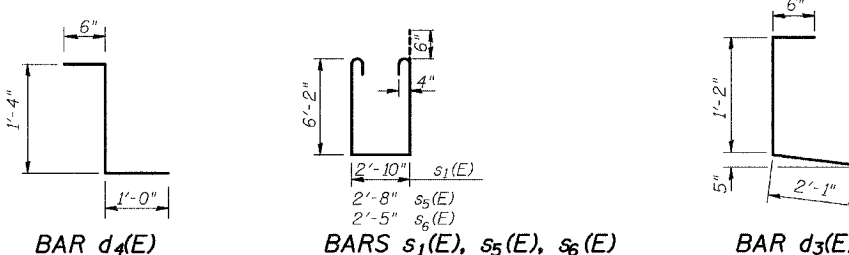
INSIDE ELEVATION OF PARAPET
(Looking North)



SECTION THRU PARAPET



PARAPET JOINT DETAILS



SUPERSTRUCTURE BILL OF MATERIAL

Bar	No.	Size	Length	Shape
a(E)	584	#5	42'-6"	—
a ₁ (E)	422	#5	41'-8"	—
a ₂ (E)	582	#6	4'-6"	—
a ₃ (E)	4	#5	43'-9"	—
b(E)	414	#5	36'-8"	—
b ₁ (E)	129	#6	32'-0"	—
b ₂ (E)	328	#5	41'-0"	—
c(E)	692	#5	3'-0"	—
c ₁ (E)	683	#5	2'-5"	—
c ₂ (E)	692	#4	3'-0"	—
c ₃ (E)	692	#4	3'-9"	—
c ₄ (E)	9	#5	2'-10"	—
e(E)	168	#4	18'-6"	—
e ₁ (E)	40	#8	29'-2"	—
e ₂ (E)	40	#5	27'-9"	—
e ₃ (E)	24	#4	25'-8"	—
e ₄ (E)	8	#8	25'-8"	—
e ₅ (E)	8	#5	25'-8"	—
m(E)	2	#6	44'-0"	—
m ₁ (E)	10	#6	45'-8"	—
m ₂ (E)	48	#6	10'-0"	—
m ₃ (E)	10	#6	7'-6"	—
m ₄ (E)	4	#6	3'-0"	—
m ₅ (E)	2	#6	43'-3"	—
s(E)	91	#5	4'-10"	—
s ₁ (E)	70	#4	16'-2"	—
s ₅ (E)	1	#4	16'-0"	—
s ₆ (E)	1	#4	15'-9"	—
v(E)	82	#5	3'-2"	—
Reinforcement Bars, Epoxy Coated	Pound	102,270		
Concrete Superstructure	Cu. Yds.	486.80		
Floor Drains	Each	8		

Reinforcement bars designated (E) shall be epoxy coated.
Bars indicated thus 1 x 5-#5 etc. indicates 1 line of bars with 5 lengths per line.
Work this Sheet with Sheets 7 and 8 of 21.

MIN. BAR LAP PARAPET

- #4 Bars = 1'-4"
- #5 Bars = 1'-8"
- #8 Bars = 3'-5"

REVISIONS	
NAME	DATE

ILLINOIS DEPARTMENT OF TRANSPORTATION
SUPERSTRUCTURE DETAILS
CH 18 OVER US 45 AND CN/IC RR
FAS 642 SECTION 99-00124-01-PV
COLES COUNTY
STA. 121+87.25 STR. No. 015-3400
SCALE: DRAWN BY LMP
DATE: 6/21/05 CHECKED BY MJS

THE UPCHURCH GROUP
HILLSIDE, IL. (708) 449-2821
MATTOON, IL. (217) 285-8177

S-2-D 10-31-02

