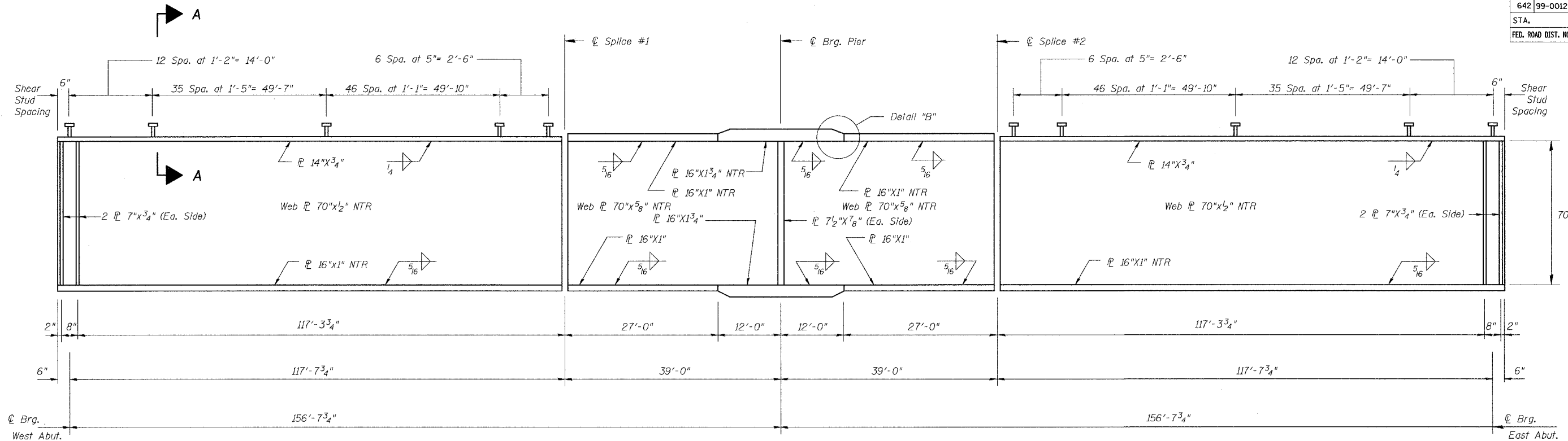
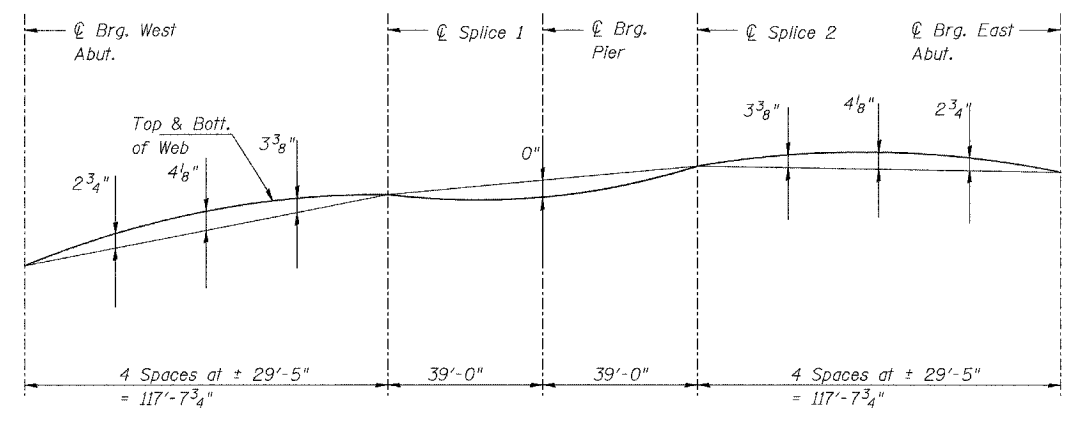
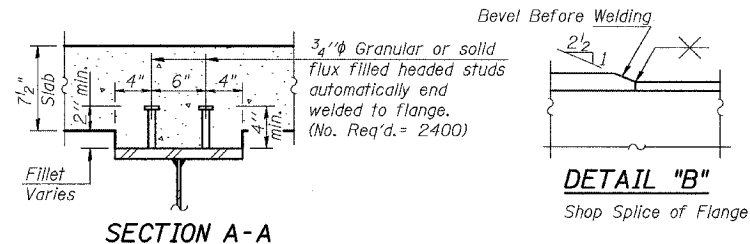


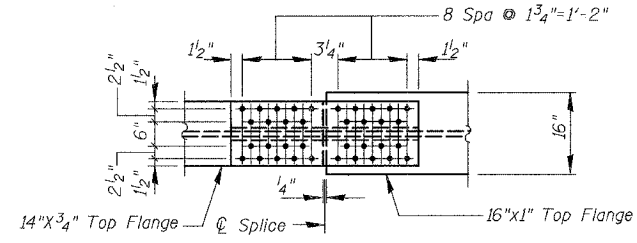
F.A.P. RTE.	SECTION	COUNTY	TOTAL SHEETS	SHEET NO.
642	99-00124-01-PV	COLES	157	94
STA.		TO STA.		
FED. ROAD DIST. NO.		ILLINOIS FED. AID PROJECT		



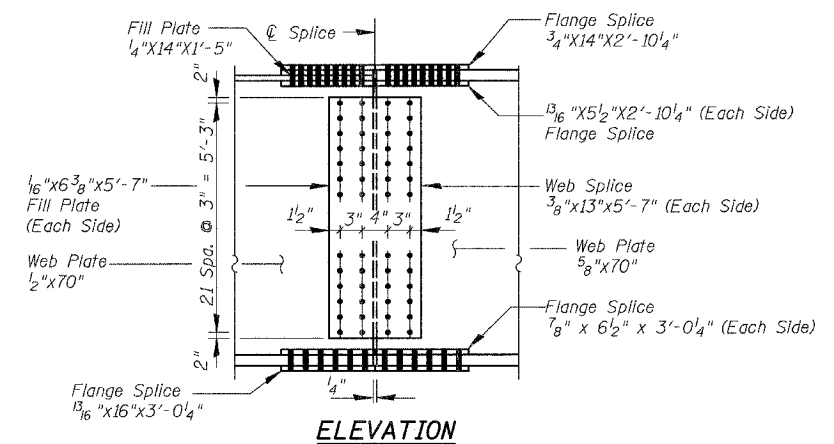
GIRDER ELEVATION
(All Plates shall be AASHTO M270 Grade 50)



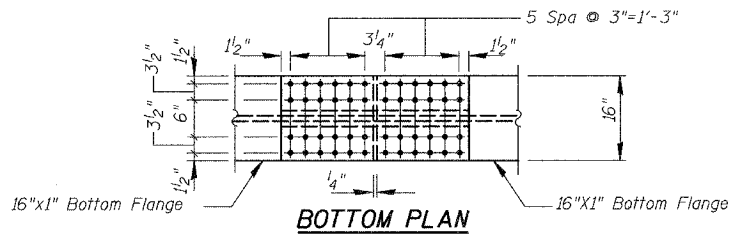
CAMBER DIAGRAM



TOP PLAN

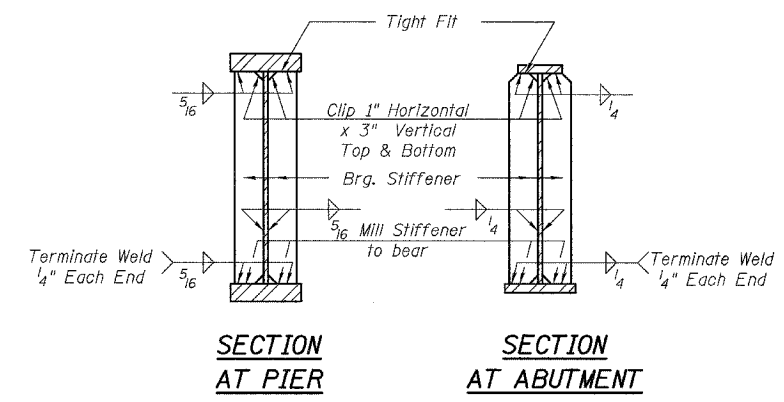


ELEVATION



BOTTOM PLAN

FIELD SPLICE # 1 AND # 2 DETAILS



- Steel Designated with "NTR" shall conform to the requirements for Notch Toughness (Zone 2).
- All Splice Plates except Fill Plates shall conform to the requirements for Notch Toughness (Zone 2) and are AASHTO M270, Grade 50.
- Work this Sheet with Sheets 10 and 12 of 21

TOP OF WEB ELEVATIONS (FOR FABRICATION ONLY)						
GIRDER	1	2	3	4	5	6
BRG. W. ABUT.	729.17	729.29	729.39	729.36	729.22	729.05
SPLICE #1	729.80	729.93	730.04	730.03	729.90	729.74
BRG. PIER	729.89	730.03	730.14	730.14	730.01	729.85
SPLICE #2	729.98	730.13	730.24	730.24	730.12	729.97
BRG. E. ABUT.	729.90	730.05	730.18	730.19	730.08	729.96

REVISIONS	
NAME	DATE

ILLINOIS DEPARTMENT OF TRANSPORTATION
GIRDER DETAILS
 CH 18 OVER US 45 AND CN/IC RR
 FAS 642 SECTION 99-00124-01-PV
 COLES COUNTY
 STA. 121+87.25 STR. No. 015-3400
 SCALE: DRAWN BY LP
 DATE: 01-21-2004 CHECKED BY