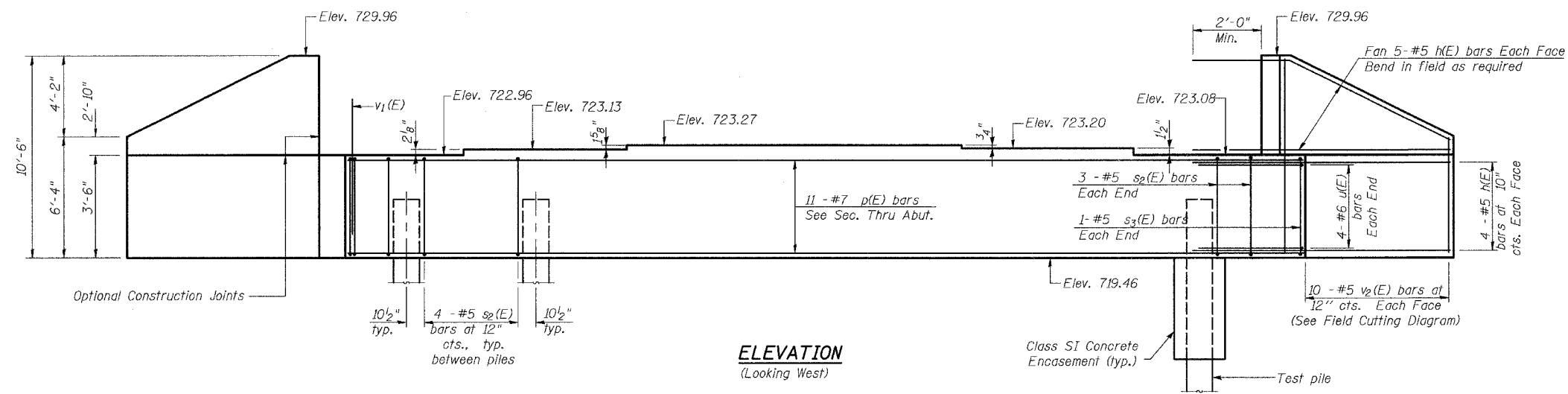
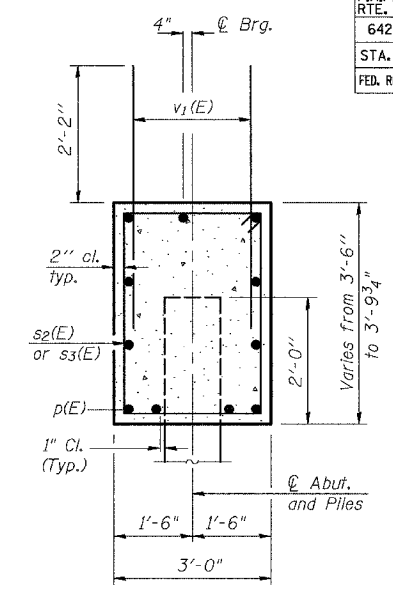


F.A.P. NO.	SECTION	COUNTY	TOTAL SHEETS	SHEET NO.
642	99-00124-01-PV	COLES	157	97
STA.	TO STA.			
FED. ROAD DIST. NO.	ILLINOIS	FED. AID PROJECT		

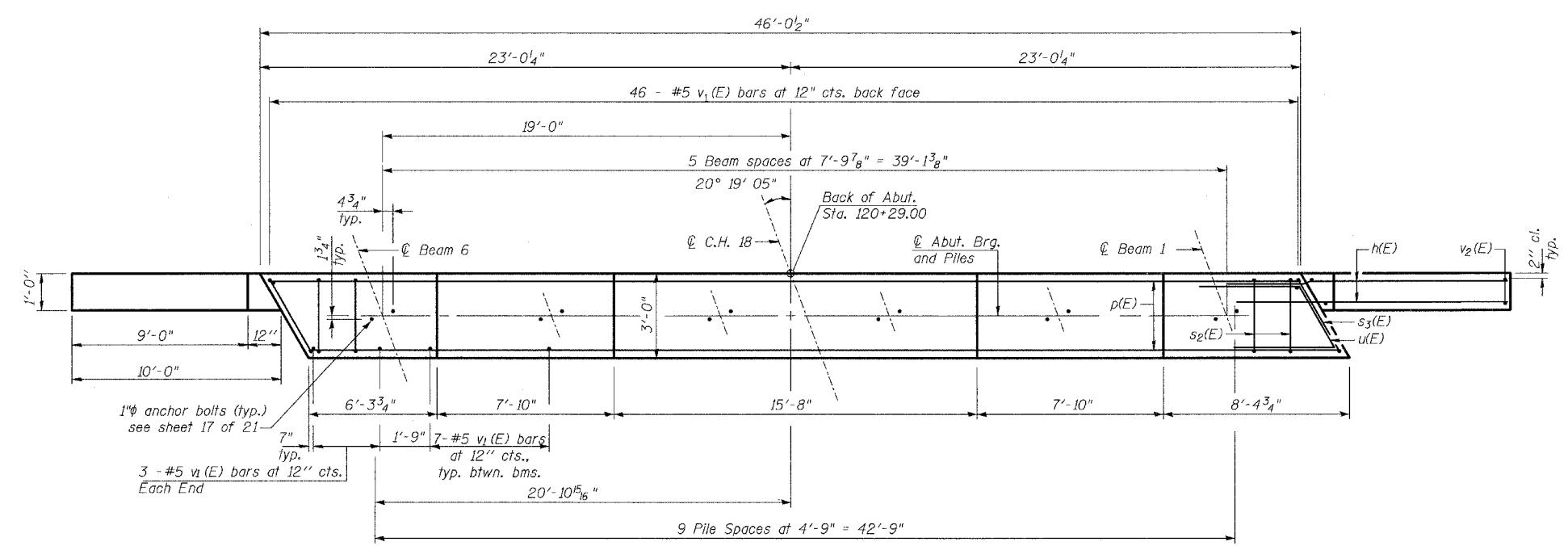
Sheet 14 of 21 Sheets



ELEVATION
(Looking West)



SEC. THRU ABUT.



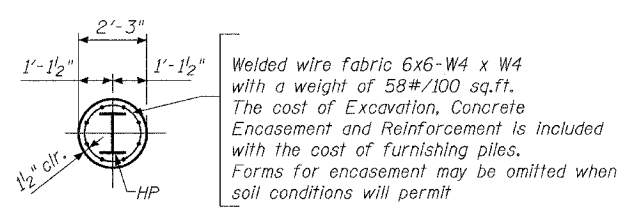
PLAN

PILE DATA

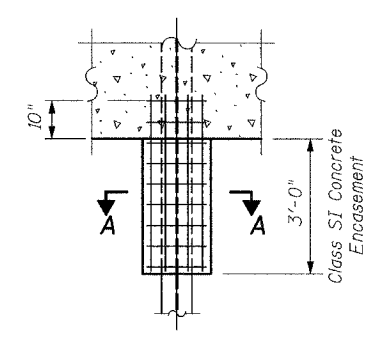
Type	Steel HP14 X 89
No. Required	9+1 Test Pile **
Capacity	55T *
Est. Length	68'
* Drive to 83 Ton Bearing	
** Test Pile 55 Ton Capacity and Driven to 95 Ton Bearing	

BILL OF MATERIAL

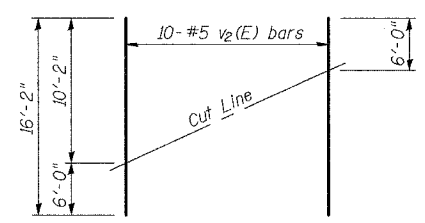
Bar	No.	Size	Length	Shape
h(E)	36	#5	12'-6"	—
p(E)	11	#7	45'-8"	—
s2(E)	42	#5	12'-7"	□
s3(E)	2	#5	12'-11"	□
u(E)	8	#6	10'-8"	└
v1(E)	87	#5	4'-4"	—
v2(E)	20	#5	16'-2"	—
Concrete Structures		Cu. Yd.	25.3	
Reinforcement Bars, Epoxy Coated		Pound	2935	
Structure Excavation		Cu. Yd.	271	
Furnishing Steel Piles HP14x89		Ft.	612	
Driving Steel Piles HP14x89		Ft.	612	
Test Pile Steel HP14x89		Each	1	



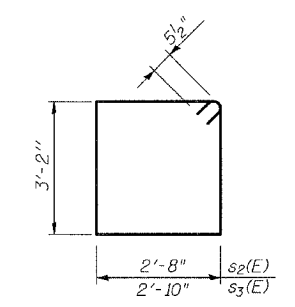
SECTION A-A



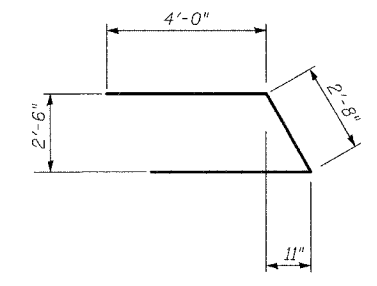
PILE ENCASUREMENT DETAIL



FIELD CUTTING DIAGRAM



BARS s2(E) & s3(E)



BAR u(E)

NOTES:

Pour steps monolithically with cap.
Reinforcement bars designated (E) shall be epoxy coated.
Space reinforcement to miss anchor bolts.

REVISIONS	
NAME	DATE

ILLINOIS DEPARTMENT OF TRANSPORTATION
WEST ABUTMENT DETAILS
CH 18 OVER US 45 AND CN/IC RR
FAS 642 SECTION 99-00124-01-PV
COLES COUNTY
STA. 121+87.25 STR. No. 015-3400
SCALE: DRAWN BY LMP
DATE: 1-21-2004 CHECKED BY MJS

THE UPCHURCH GROUP
HILLSIDE, IL. (708) 449-2321
MATTOON, IL. (217) 235-3177

AI-L 9-01-03