

ROUTE	SECTION	COUNTY	TOTAL SHEETS	SHEET NO.
TR 227	98-11120-00-BR	JEFFERSON	35	29
FED. ROAD DIST. NO. 7	ILLINOIS	FED. AID PROJECT	CONTRACT NO. 95437	

PILE DATA

Type:
 West Abutment Steel HP12x53
 East Abutment Steel HP12x53

Number Required:
 West Abutment 3+1 Test Pile
 East Abutment 4

Capacity: Drive to Refusal

Estimated Length:
 West Abutment 80 foot
 East Abutment 76 foot

Total Estimated Length:
 (Does not include Test Pile)
 Steel HP12x53 544 foot

BILL OF MATERIALS
ONE ABUTMENT w/ WINGWALLS

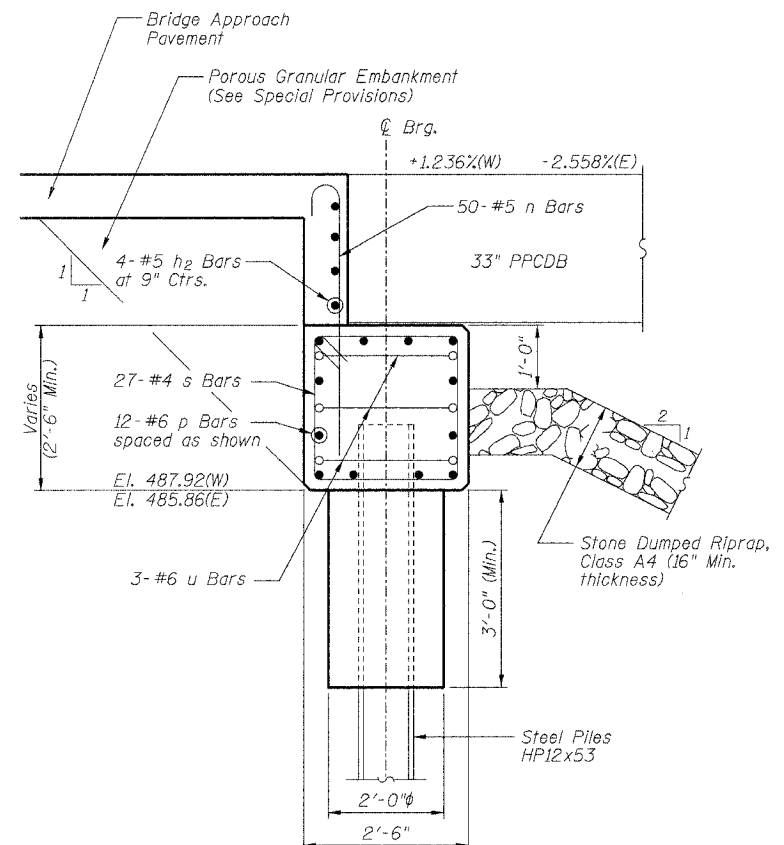
Bar	No.	Size	Length	Shape
h	20	#5	5'-6"	┌──┐
h ₁	12	#5	4'-3"	──
h ₂	4	#5	24'-6"	──
n	50	#5	5'-3"	──
p	12	#6	25'-6"	──
s	22	#4	9'-5"	┌──┐
u	6	#6	8'-3"	┌──┐
v	24	#5	5'-0"	CUT IN FIELD
Concrete Structures			Cu. Yd.	9.3
Reinforcement Bars			Pound	1340

GENERAL NOTES

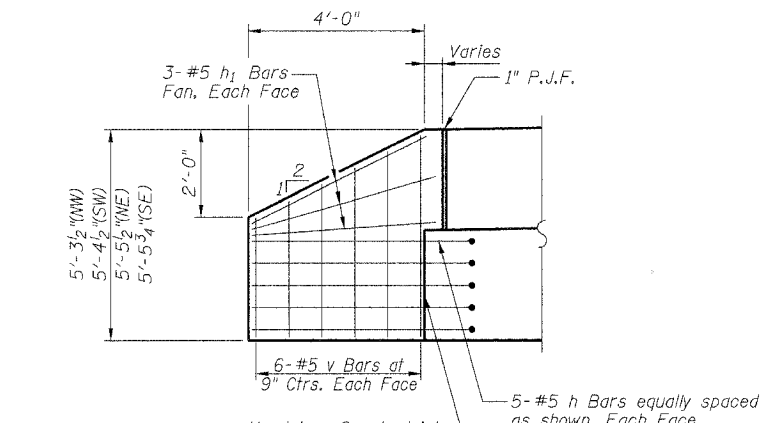
All exposed edges shall have standard 3/4" chamfer, unless otherwise noted.

All clearances between reinforcement bars and form surface shall be 2", unless otherwise noted.

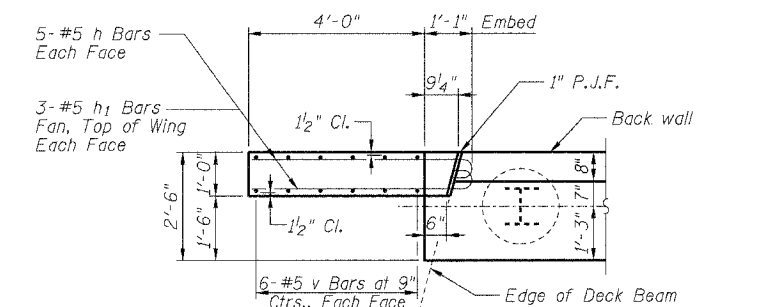
The Contractor shall drive one (1) Steel HP12x53 Test Pile in a permanent location at the West Abutment as directed by the Engineer before ordering the remainder of the piles.



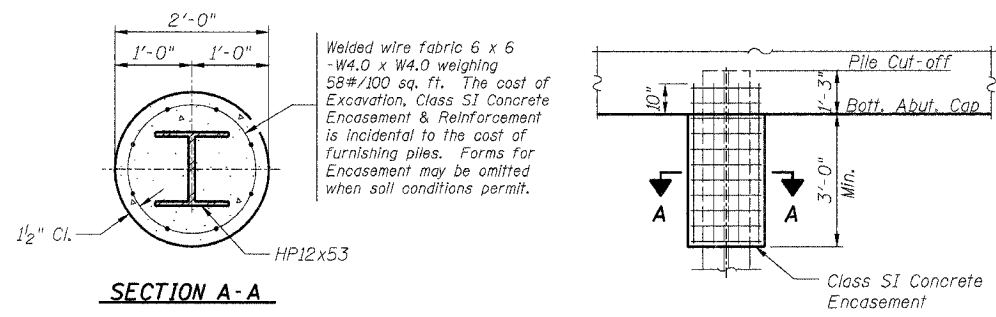
SECTION THRU ABUTMENT
 Normal to Abutment



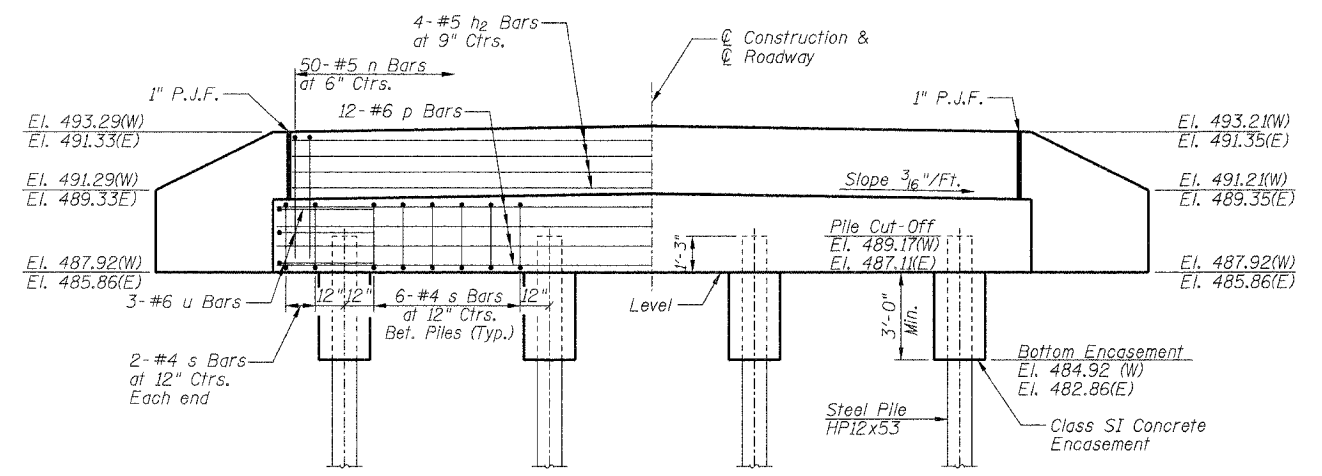
ELEVATION OF WINGWALL



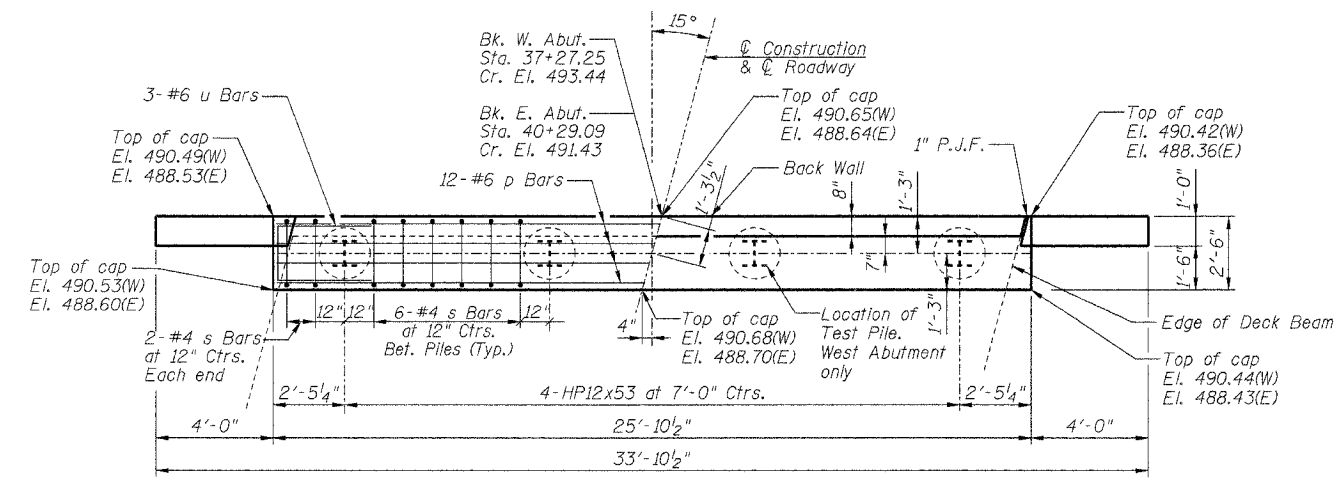
WINGWALL CONNECTION DETAIL



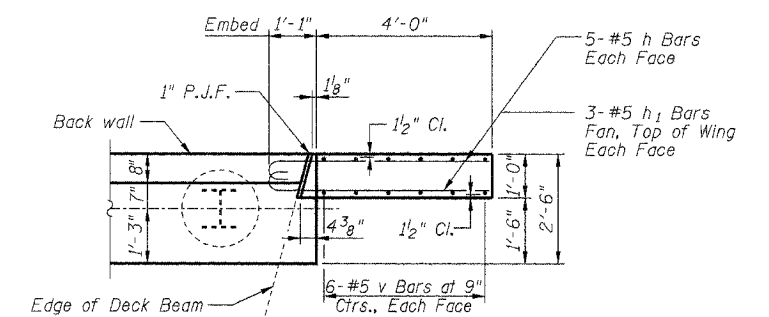
SECTION A-A
PILE ENCASEMENT DETAIL



ELEVATION



PLAN



WINGWALL CONNECTION DETAIL

ABUTMENT DETAILS
PROPOSED BRIDGE OVER
UNION PACIFIC RAILROAD AND CASEY FORK
TR 227 (GREEN ROAD)
SECTION 98-11120-00-BR
JEFFERSON COUNTY, ILLINOIS