

ROUTE	SECTION	COUNTY	TOTAL SHEETS	SHEET NO.
TR 227	98-11120-00-BR	JEFFERSON	35	33
FED. ROAD DIST. NO. 7 ILLINOIS		FED. AID PROJECT		
CONTRACT NO. 95437				

GENERAL NOTES

Fasteners shall be high strength bolts. Bolts $\frac{3}{4}$ " ϕ , open holes $\frac{15}{16}$ " ϕ , unless otherwise noted.

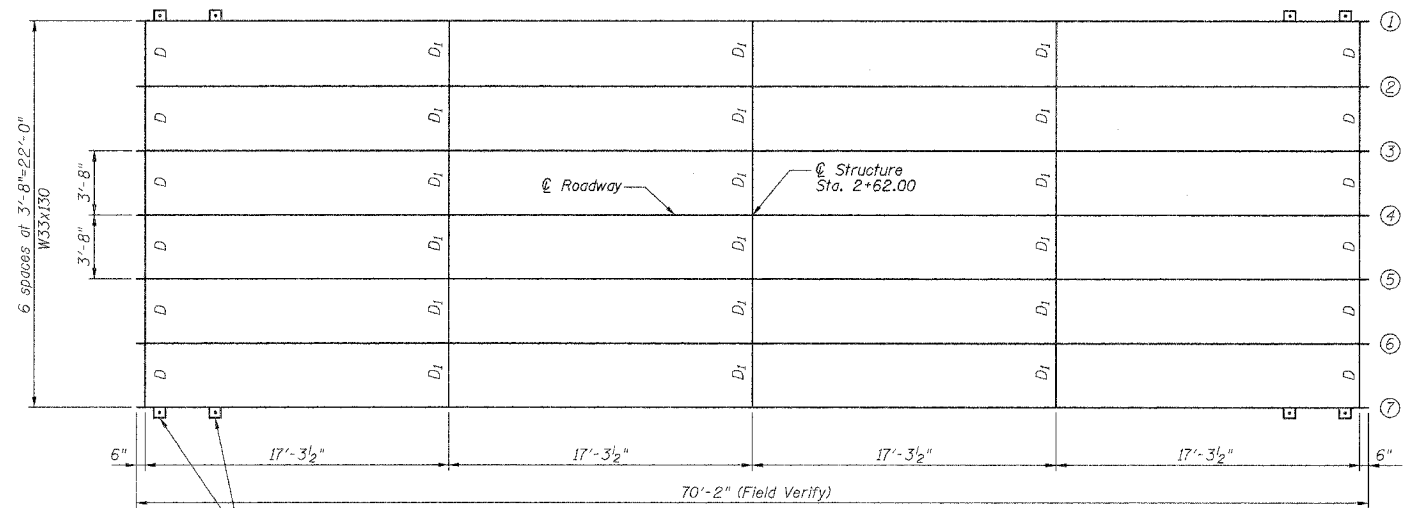
Calculated weight of Structural Steel to be furnished by the Contractor = 5000 pound. (AASHTO M270, Grade 36)

Existing W33x130 steel girders Furnished By Others. Calculated weight of existing W33x130 steel girders Furnished By Others = 63,860 pounds. Diaphragms, anchor bolts, elastomeric neoprene bearing pads, shim plates and all erection by the Contractor. See Special Provisions.

Anchor bolts shall be set before bolting diaphragms over supports.

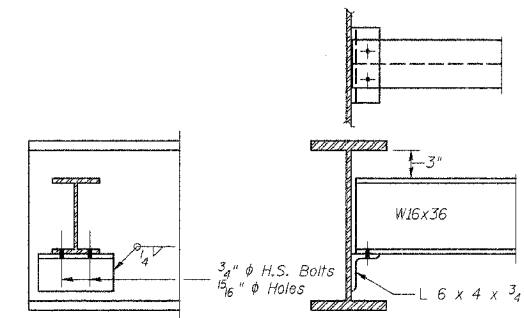
Bearing seat surfaces shall be constructed or adjusted to the designated elevations within a tolerance of $\frac{1}{8}$ inch. Adjustment shall be made either by grinding the surface or by shimming the bearing. Two $\frac{1}{8}$ " adjusting shims, of the dimensions of the bottom bearing plate, shall be provided for each bearing in addition to all other plates or shims.

The existing structural steel coating may contain lead. The Contractor shall take appropriate precautions to deal with the presence of lead on this project.



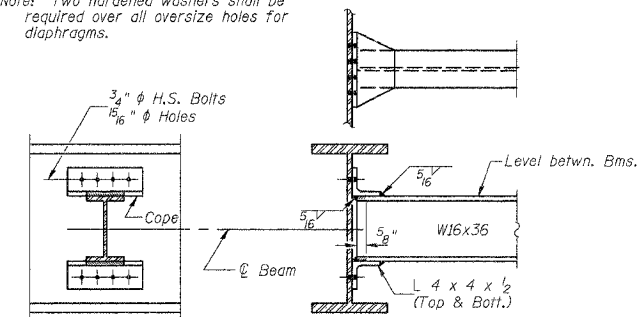
Existing plates for Precast Concrete Bridge Slab connection. Typical each end of the 2 exterior steel beams. Existing plates welded to top flange of existing exterior steel beams.

PLAN VIEW

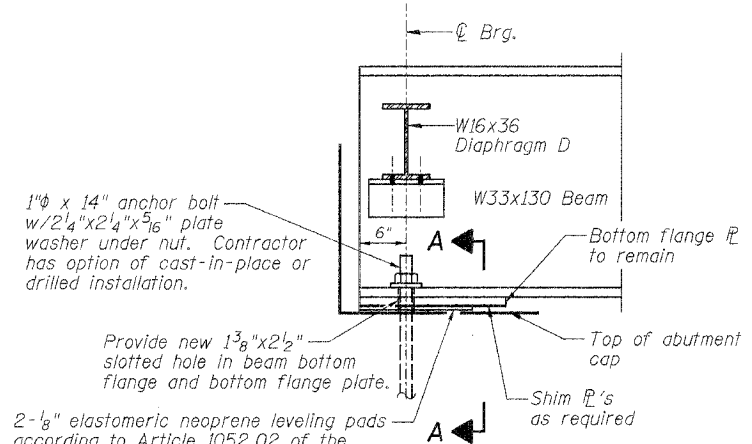


DIAPHRAGM D
(12 Required)

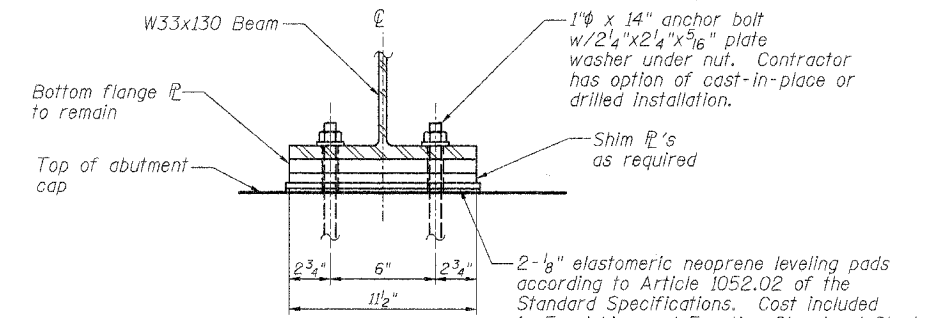
Note: Two hardened washers shall be required over all oversize holes for diaphragms.



DIAPHRAGM D1
(18 Required)



END OF BEAM ELEVATION



SECTION A-A

STEEL FRAMING DETAILS
PROPOSED FIELD ROAD BRIDGE
OVER CASEY FORK
STA. 2+62.00
SECTION 98-11120-00-BR
JEFFERSON COUNTY, ILLINOIS

Sheet
33
of 35
Job No. 52303

06/24/2005