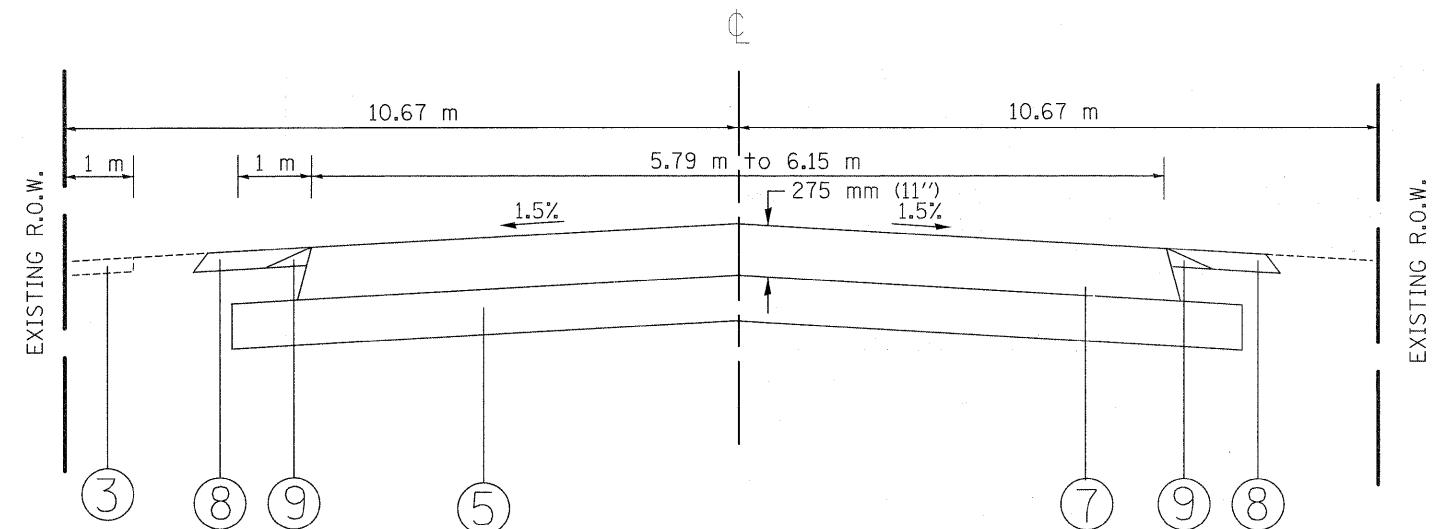


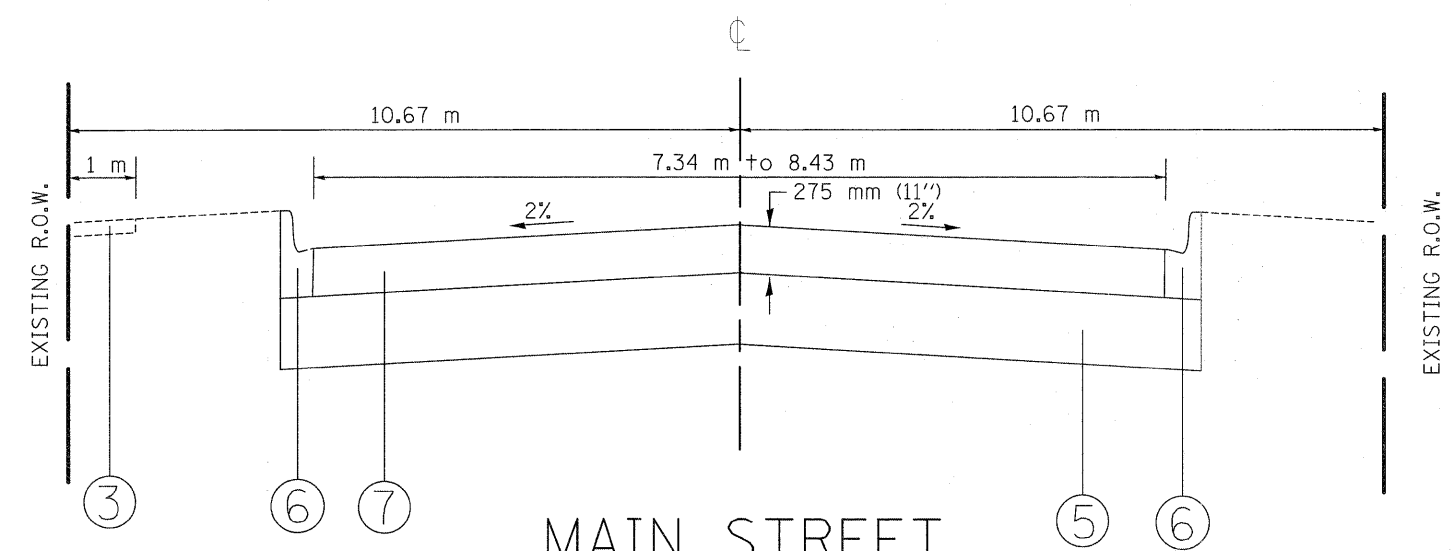
F.A.R. RTE.	SECTION	COUNTY	TOTAL SHEETS	SHEET NO.
840	143 N	WILL	121	10
STA.		TO STA.		
FED. ROAD DIST. NO. 1		ILLINOIS FED. AID PROJECT		

CONTRACT NO. - 60445



MAIN STREET

PROPOSED TYPICAL CROSS SECTION
STA. 4+920 TO STA. 4+988

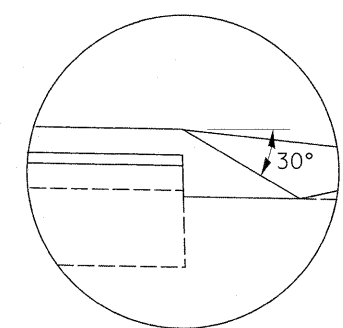


MAIN STREET

PROPOSED TYPICAL CROSS SECTION
STA. 5+000 TO STA. 5+080

LEGEND

- ① EXISTING HMA PAVEMENT (+ /-) 230MM
- ② EXISTING AGGREGATE SHOULDER
- ③ EXISTING P.C.C. SIDEWALK
- ④ EXISTING CURB AND GUTTER, B-15.30 (B-6.12)
- ⑤ PROPOSED AGGREGATE SUB-GRADE, 300MM (12")
- ⑥ PROPOSED COMBINATION CURB AND GUTTER, B-15.30 (B-6.12)
- ⑦ PROPOSED HMA PAVEMENT (FULL DEPTH) 275MM (11") (SEE MIXTURE TABLE FOR REQUIREMENT)
- ⑧ PROPOSED AGGREGATE WEDGE SHOULDER, TYPE B, 150MM (6")
- ⑨ PROPOSED SAFETY EDGE



SAFETY EDGE DETAIL

TO DRAIN THE AGGREGATE SUB GRADE 300 mm,
PROVIDE 100 mm DIAMETER TRAVERSE PIPE
UNDER DRAIN AT 90 METER SPACING.

REVISIONS		ILLINOIS DEPARTMENT OF TRANSPORTATION MAIN STREET TYPICAL CROSS SECTION
NAME	DATE	

SCALE: NONE
DATE: 5/7/2011

DRAWN BY
CHECKED BY