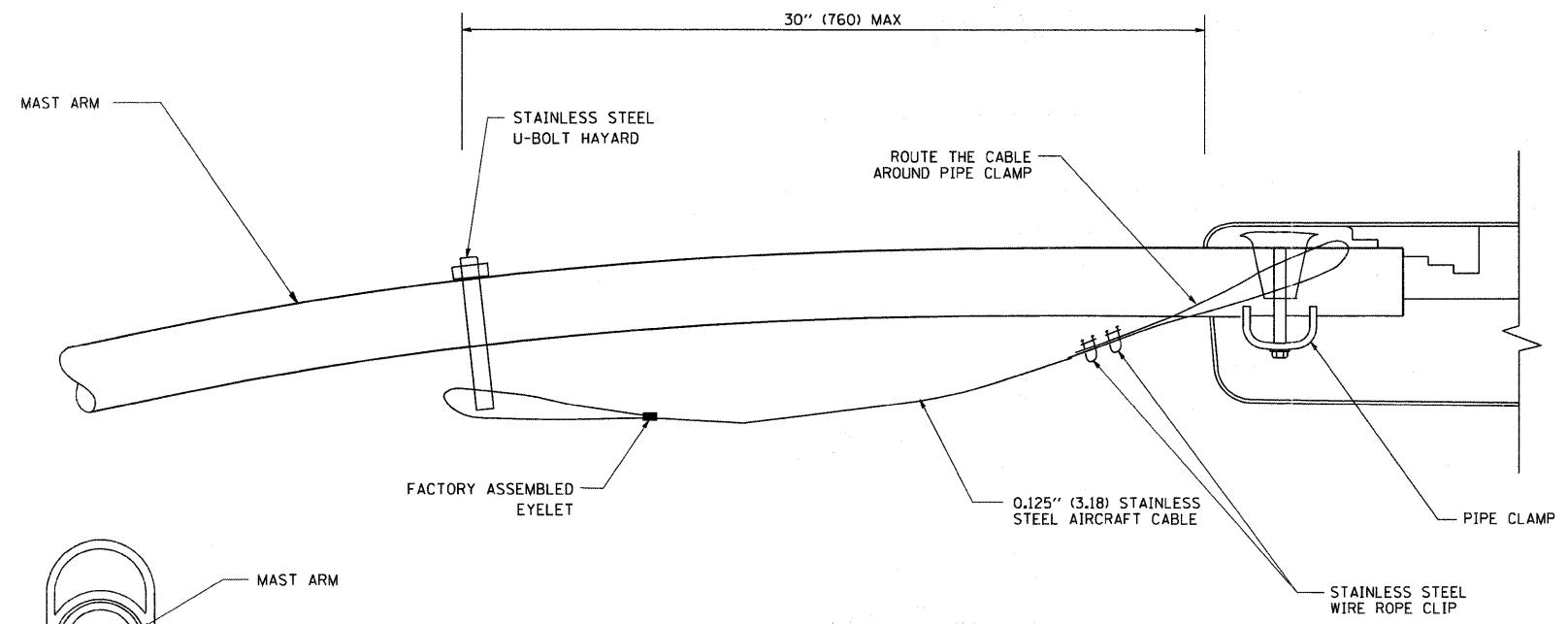
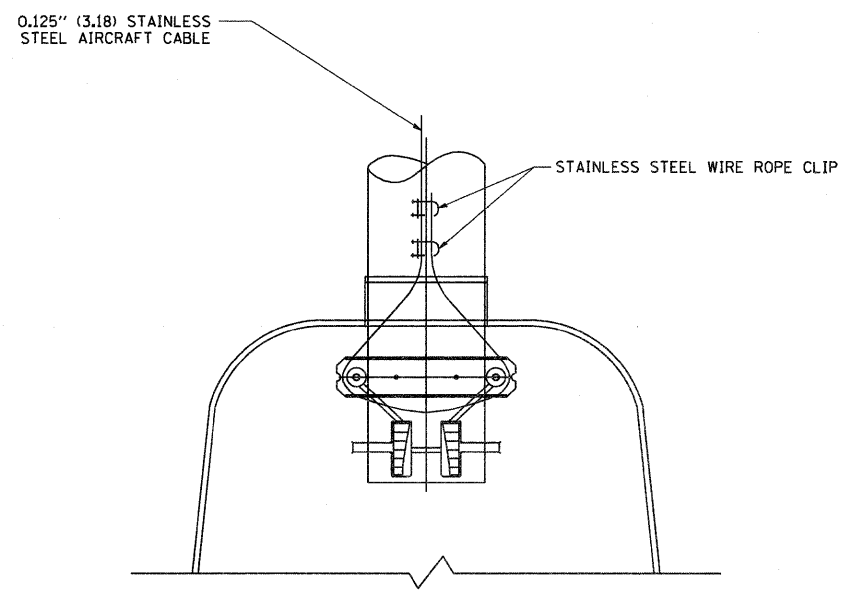


**SIDE VIEW (TRUSS ARM)**  
N.T.S.



**SIDE VIEW (SINGLE MEMBER OR DAVIT ARM)**  
N.T.S.



**BOTTOM VIEW**  
N.T.S.

- NOTES:**
1. ALL DIMENSIONS ARE IN MILLIMETERS (INCHES) UNLESS OTHERWISE SHOWN.
  2. CONTRACTOR SHALL ADJUST THE WIRE CLIP TO ELIMINATE ANY SLACK FROM THE WIRE ROPE.
  3. THE 0.125" (3.18) STAINLESS STEEL AIRCRAFT CABLE SHALL REMAIN VISIBLE FROM THE GROUND LEVEL.
  4. THE BREAKING STRENGTH OF THE CABLE SHALL BE 1700 LBS. MIN.

FILE NAME = W:\diststd\22x34\be701.dgn	USER NAME = geglennobt	DESIGNED -	REVISED - 08-08-03	<b>STATE OF ILLINOIS DEPARTMENT OF TRANSPORTATION</b>	<b>LUMINAIRE SAFETY CABLE ASSEMBLY</b>			F.A.P. RTE. 840	SECTION 145N	COUNTY WILL	TOTAL SHEETS 121	SHEET NO. 79
	PLOT SCALE = 50.000' / IN.	CHECKED -	REVISED -		SCALE: NONE	SHEET NO. 1 OF 1 SHEETS	STA.	TO STA.	<b>BE-701</b>		CONTRACT NO. 60445	
PLOT DATE = 1/4/2008	DATE -	REVISED -					FED. ROAD DIST. NO. 1 ILLINOIS FED. AID PROJECT					