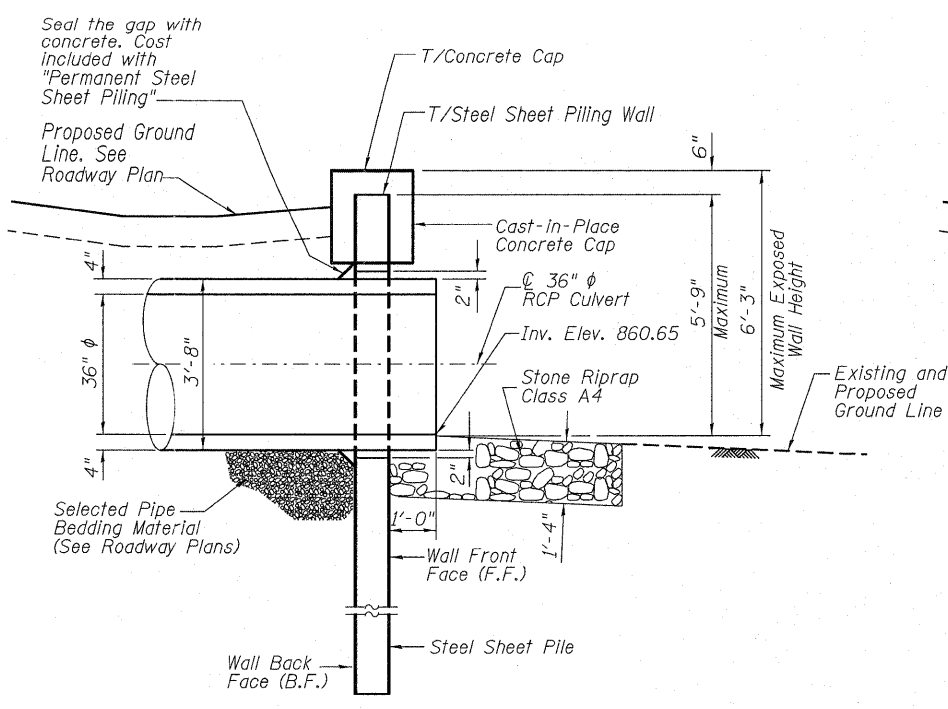
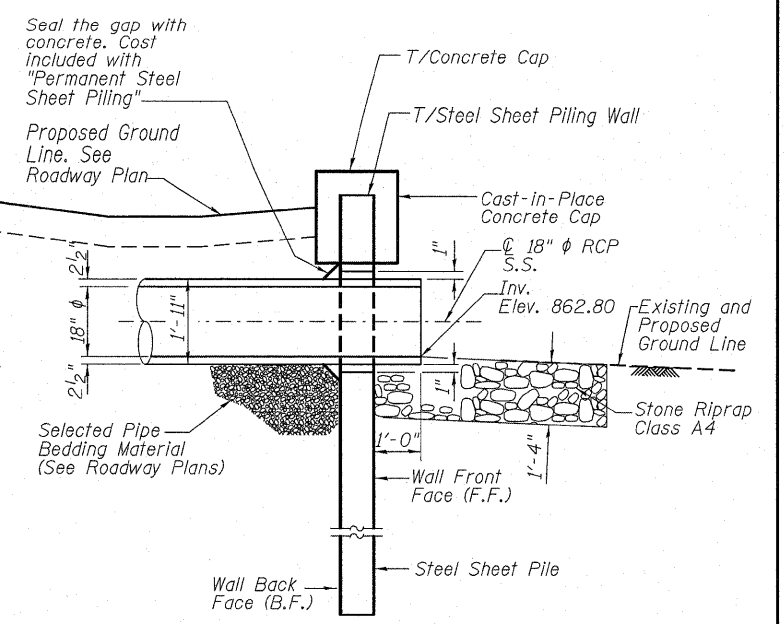


DETAIL A
(Front Face View)

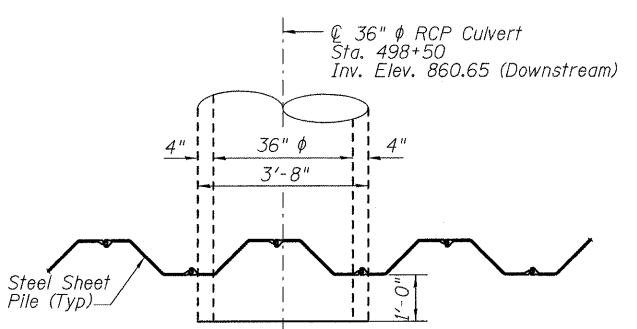
Note: The cost of cutting 48" ϕ opening in Sheet Pile Wall is included in the cost of "Permanent Steel Sheet Piling".



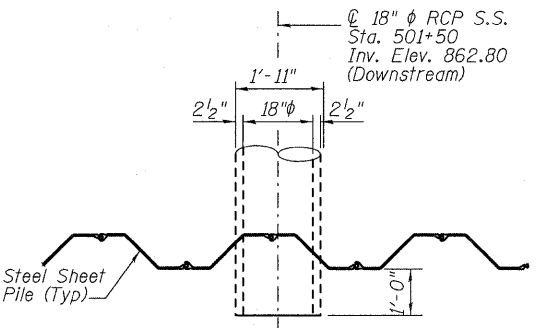
SECTION C-C



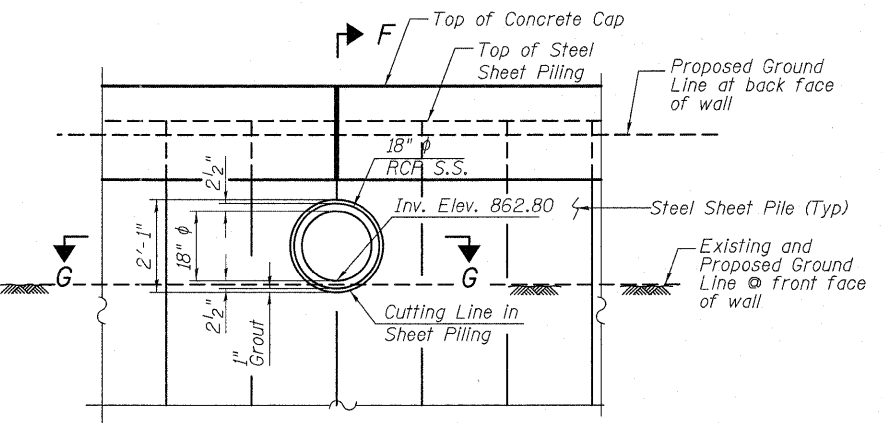
SECTION F-F



SECTION B-B

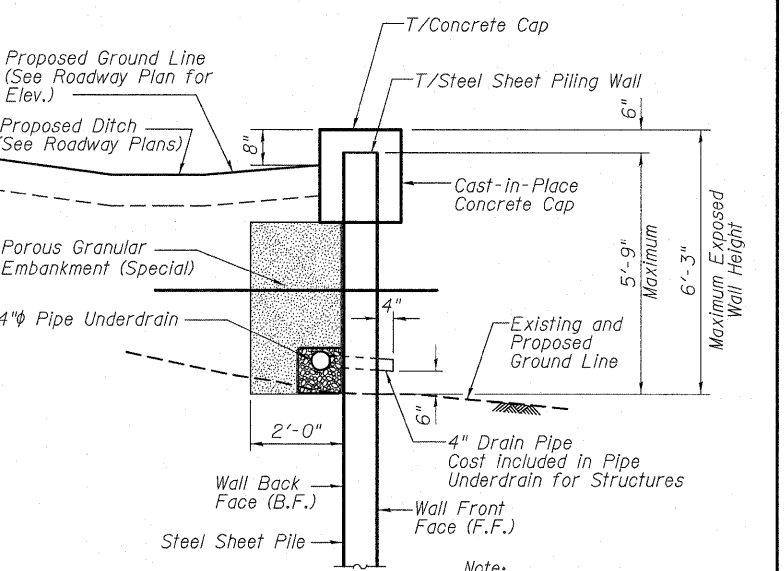


SECTION G-G



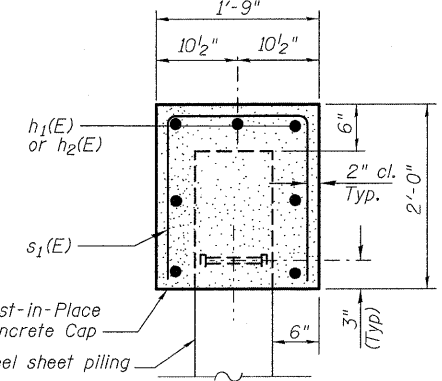
DETAIL B

Note: The cost of cutting 25" ϕ opening in Sheet Pile Wall is included in the cost of "Permanent Steel Sheet Piling".

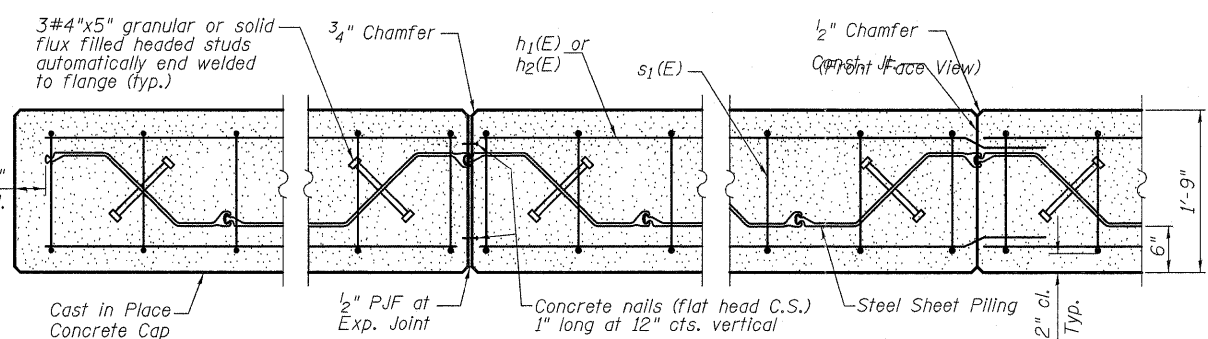


SECTION E-E

Note: A concrete splash block shall be installed at each weep hole location. Cost included in Pipe Underdrain for Structures.

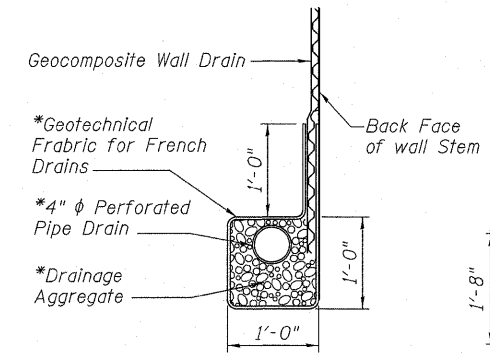


SECTION D-D



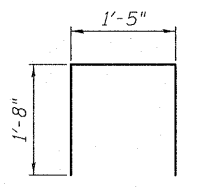
SECTION A-A

Note: The details for the concrete cap and reinforcement, and the required number of studs shear connectors are based on Section P2-22 Sheet Piling. If the Contractor chooses to use any other section, then the Contractor shall submit revised concrete cap and reinforcement configuration for approval by Engineer. Such changes shall not be cause for additional compensation.



PIPE UNDERDRAIN DETAIL

* Included in the cost of Pipe Underdrains for Structures.



BAR s1(E)

Min. Bar Lap
#5 = 3'-3"

BAR LIST

Bar	No.	Size	Length	Shape
$h_1(E)$	154	#5	23'-3"	—
$h_2(E)$	49	#5	19'-9"	—
$s_1(E)$	587	#4	4'-9"	□



USER NAME =
DESIGNED - JPM
CHECKED - JXH
DRAWN - JPM
PLOT SCALE =
PLOT DATE =

DESIGNED - JPM
CHECKED - JXH
DRAWN - JPM
CHECKED - JXH/TPG

REVISED - 10/21/2011 M.P.S.
REVISED -
REVISED -
REVISED -

STATE OF ILLINOIS
DEPARTMENT OF TRANSPORTATION

RETAINING WALL DETAILS
STRUCTURE NO. 016-W994

SHEET NO. S4 OF S8 SHEETS

F.A.P. RTE.	SECTION	COUNTY	TOTAL SHEETS	SHEET NO.
339	116 Y-1-R-1	COOK	122	61

CONTRACT NO. 60135
ILLINOIS FED. AID PROJECT