

DRAINAGE DETAILS

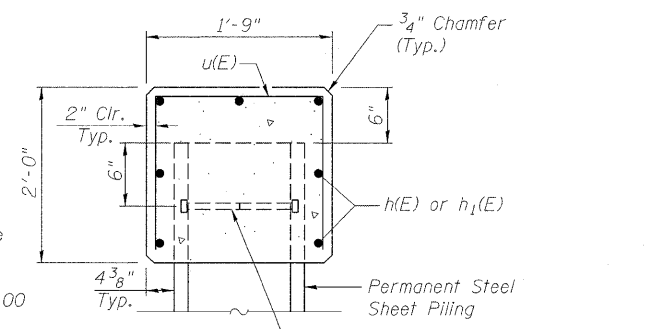
** Pipe invert elevation to match existing grade line on opposite face of wall. Cost of any excavation required is included with Pipe Underdrains for Structures 4".

SECTION THRU WALL

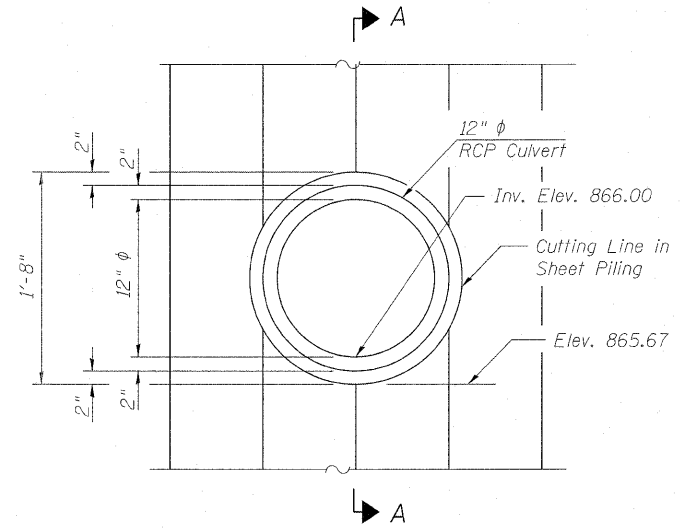
***MINIMUM SHEET PILE HEIGHT**

Panel	Height
Panels 1 to 3	31'-11"
Panels 4 to 12	40'-11"
Panels 13 to 15	29'-10"

Notes:
 Cost of Geotechnical Fabric and Drainage Aggregate are included in the cost of Pipe Underdrain for Structures 4".
 Perforated pipe drain shall outlet near station 509+00 thru 4 1/4" cut hole in wall.
 Cost of cutting 20" φ opening in sheet pile wall is included in the cost of Permanent Steel Sheet Piling.

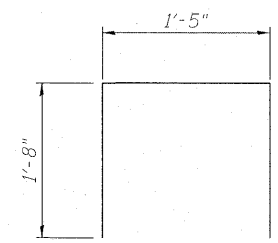


DETAIL A

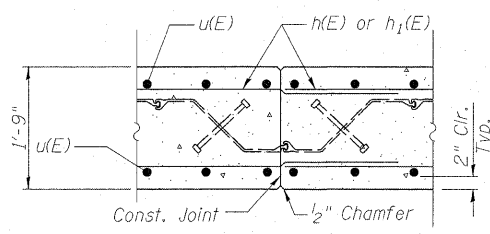


SECTION THRU PERMANENT SHEET PILING AT PIPE CULVERT

(Contractor shall seal the void around the RCP with approval by the Engineer. Cost included with Permanent Steel Sheet Piling.)



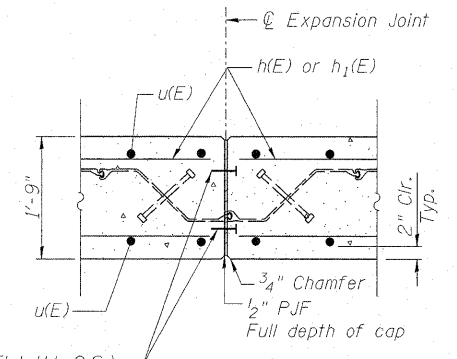
BAR u(E)



CONSTRUCTION JOINT DETAIL

BILL OF MATERIAL

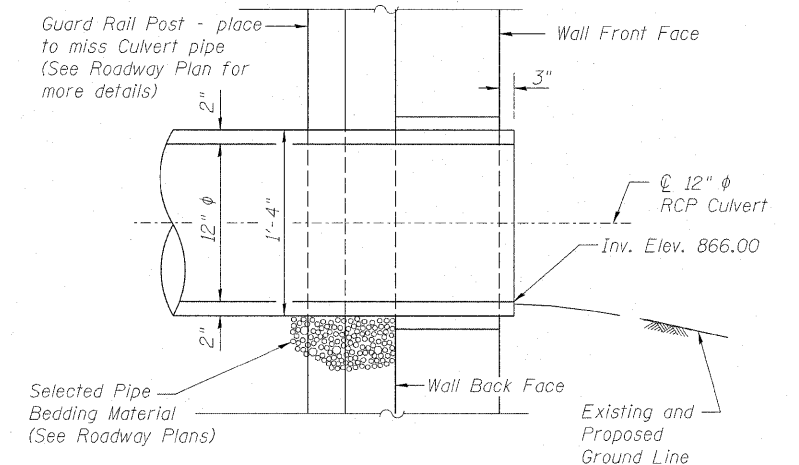
Bar	No.	Size	Length	Shape
h(E)	70	#5	28'-1"	—
h₁(E)	35	#5	24'-8"	—
u(E)	375	#5	4'-9"	⊏
Concrete Structures			Cu. Yd.	48.6
Reinforcement Bars, Epoxy Coated			Pound	4810



EXPANSION JOINT DETAIL

Expansion joints shall be located at the nearest sheet piling interlock to the indicated spacing shown.

Notes:
 The details for the concrete cap and reinforcement, and the required number of stud shear connectors are based on section SZ-24 sheet piling. If the Contractor chooses to use any other section, then the Contractor shall submit revised concrete cap and reinforcement configuration for approval by engineer. Such changes shall not be cause for additional compensation.



SECTION A-A



USER NAME =	DESIGNED - ESH	REVISED - MTH 10/21/11
PLOT SCALE =	CHECKED - ADB	REVISED -
PLOT DATE =	DRAWN - RH	REVISED -
	CHECKED - ADB	REVISED -

**STATE OF ILLINOIS
 DEPARTMENT OF TRANSPORTATION**

**WALL DETAILS-4
 STRUCTURE NO. 016-W996**
 SHEET NO. S5 OF S7 SHEETS

F.A.P. RTE. 339	SECTION 116 Y-1-R-1	COUNTY COOK	TOTAL SHEETS 122	SHEET NO. 73
			CONTRACT NO. 60135	
ILLINOIS FED. AID PROJECT				