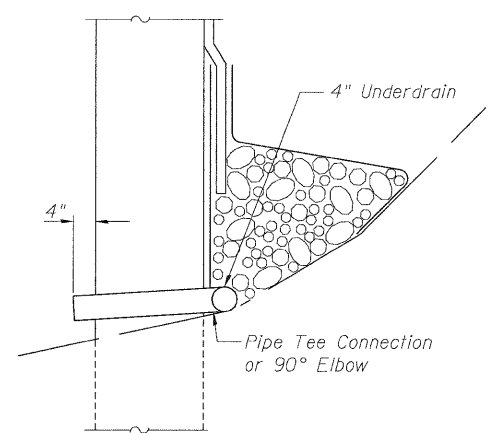
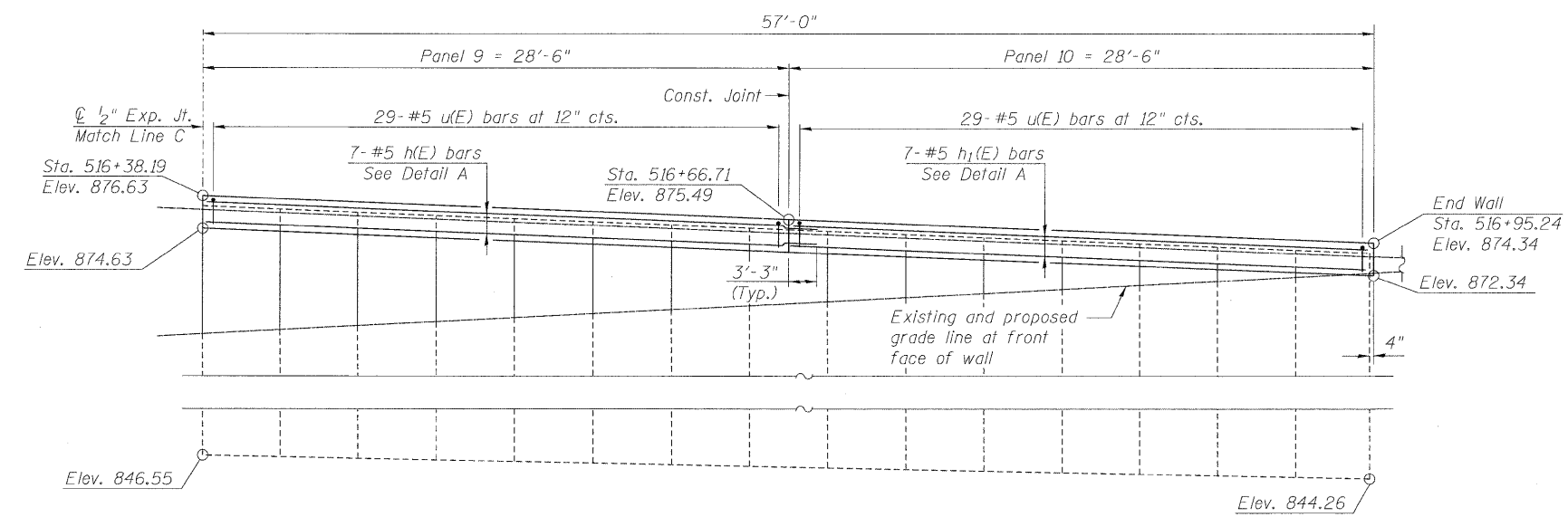


**ELEVATION**  
(Looking at Front Face of Wall)

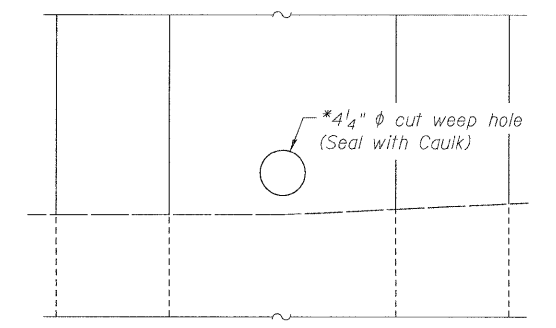


**SECTION THRU WEEP HOLE**

Note:  
Contractor shall furnish and install a concrete splash block approved by the Engineer at the weep hole locations. Cost is included with Pipe Underdrains for Structures 4".



**ELEVATION**  
(Looking at Front Face of Wall)



**WEEP HOLE ELEVATION**

\*Caulk for drain shall be silicone caulking adhesive sealer, marketed for outdoor and underwater use, and listed by manufacturer as appropriate for use on PVC and steel surfaces. Surfaces shall be clean and dry prior to application. Cost is included with Pipe Underdrains for Structures 4".

Notes:  
See sheet S4 of S6 for Bill of Material, Section Thru Wall, Wall Joint Details and Detail A.  
Horizontal dimensions measured along face of wall.  
Expansion joints shall be located at the nearest sheet piling interlock to the indicated spacing shown.